

Whirlpool

Refrigerator / User Manual

Congélateur / Réfrigérateur / Manuel d'utilisation

ثلاجة / دليل المستخدم



WBMF 706564 XNA

®/TM/© 2025Whirlpool. Produced under license_®/TM/©
2025Whirlpool.Produit sous licence_®/TM/© 2025Whirlpool. تم إنتاجه
بموجب ترخيص

15 7550 0260/ EN FR AR / AA/ 3/5/2025 4:14 PM
7295848511



Please read this manual first!

Dear Customer





Thank you for choosing this product.

Please register your products on www.register10.eu

We would like you to achieve the optimal efficiency from this high quality product which has been manufactured with state of the art technology. To do this, carefully read this manual and any other documentation provided before using the product.

Heed all information and warnings in the user manual. This way, you will protect yourself and your product against the dangers that may occur. Keep the user manual. Include this manual with the product if you hand it over to someone else.

The following symbols are used in the user manual and on the product:


	Read the user manual.
 SUPPLIER'S NAME MODEL IDENTIFIER → (*)  	The model information as stored in the product data base can be reached by entering following website and searching for your model identifier (*) found on energy label. https://eprel.ec.europa.eu/



1	Environmental Instructions	4
1.1	Disposal Of Packaging Materials .	4
2	Your Refrigerator	4
3	Installation.....	5
3.1	Right Place For Installation.....	5
3.2	Adjusting the Legs.....	5
3.3	Hot Surface Warning.....	5
3.4	Removing the Styrofoam on the Compressor	5
4	Preparation.....	6
4.1	What To Do For Energy Saving	6
4.2	First Use.....	6
4.3	Climate Class and Definitions	7
5	Operating the Product.....	7
6	Control Panel of the Product	8
7	Use of Your Appliance.....	10
7.1	Storing Food in the Cooler Com- partment.....	10
7.2	Crisper	15
7.3	Humidity Controlled Crisper	15
7.4	Dairy Products Cold Storage Area	15
7.5	The ice storage area.....	15
7.6	Reversing the Door Opening Side.	15
7.7	Door Open Alert	16
7.8	Foldable Wine Rack.....	16
7.9	Replacing the Illumination Lamp..	16
7.10	Fan.....	16
7.11	Egg holder	17
8	Maintenance and Cleaning	17
9	Troubleshooting.....	18

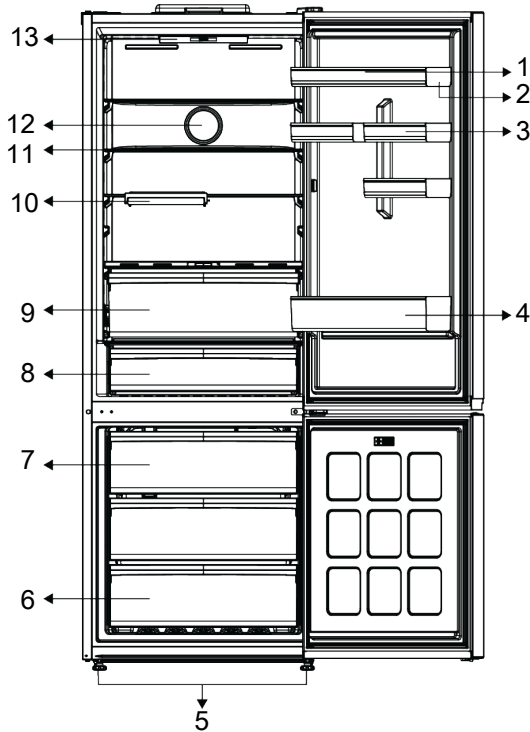
1 Environmental Instructions

1.1 Disposal Of Packaging Materials

The packaging material is recyclable and is marked with the recycle symbol .

The various parts of the packaging must therefore be disposed of responsibly and in full compliance with local authority regulations governing waste disposal.

2 Your Refrigerator



- | | |
|----------------------|-------------------------|
| 1 Egg holder | 2 Adjustable Door Shelf |
| 3 * Small Door Shelf | 4 Bottle Shelf |
| 5 Adjustable Stands | 6 Freezer Compartment |
| 7 Icebox container | 8 Cold Storage Drawer |
| 9 Crisper | 10 * Foldable shelf |
| 11 Adjustable Shelf | 12 Fan |
| 13 Lighting | |

***Optional:** Figures in this user manual are schematic and may not exactly match your product. If your product does not comprise the relevant parts, the information pertains to other models.

3 Installation

Read the "Safety Instructions" first!

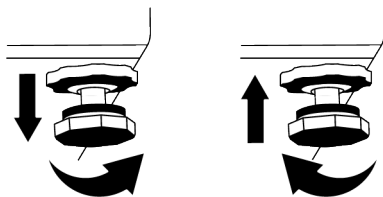
3.1 Right Place For Installation

Contact the Authorized Service for the product's installation. To prepare the product for installation, see the information in the user manual and make sure the electric and water utilities are as required. If not, call an electrician and plumber to arrange the utilities as necessary.

- Place the product on a flat surface to avoid vibration
- Place the product at least 30 cm away from the heater, stove and similar sources of heat and at least 5 cm away from electric ovens.
- When placing two coolers in adjacent position, leave at least 4 cm distance between the two units.
- Keep the product out of direct sunlight and in a dry place.
- Your product requires adequate air circulation to function efficiently. If you place the product in an alcove, remember to leave at least 5 cm clearance between the product and the ceiling, rear wall and the side walls.
- Check if the rear wall clearance protection component is present at its location (if provided with the product).
- If the component is not available, or if it is lost or fallen, position the product so that at least 5 cm clearance shall be left between the rear surface of the product and the wall of the room. The clearance at the rear is important for efficient operation of the product.

3.2 Adjusting the Legs

If the product is not in balanced position, adjust the front adjustable legs by rotating them to right or left.

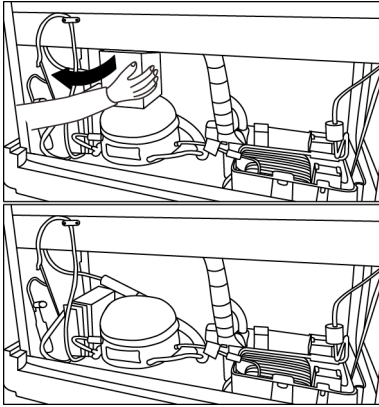


3.3 Hot Surface Warning

The side walls of your product are equipped with cooler pipes to enhance the cooling system. High pressure fluid may flow through these surfaces, and cause hot surfaces on the side walls. This is normal and it does not require servicing.

3.4 Removing the Styrofoam on the Compressor

Styrofoam is placed on the compressor in production in order to increase the transport strength of the product. This styrofoam must be removed during the installation of the product.



4 Preparation

Read the "Safety Instructions" first!

4.1 What To Do For Energy Saving

- This refrigerating appliance is not intended to be used as a built in appliance.
- When loading the food, leave enough space inside the refrigerator to allow sufficient air circulation for cooling.
- Since hot and humid air will not directly penetrate into your product when the doors are not opened, your product will optimize itself in conditions sufficient to protect your food. Under these circumstances, functions and components such as compressor, fan, heater, defrost, lighting, display and so on will operate according to the needs by consuming minimum energy.
- In case that multiple options are present, glass shelves must be placed so that the air outlets at the rear wall are not blocked and preferably, in a way that air outlets remain below the glass shelf. This combination may help improving air distribution and energy efficiency.
- Using the below drawer when storing is strongly recommended.
- For optimum performance, Quick Freezing can be used (if available), 24 hours prior to placing fresh foods in the freezer.

- In most cases, 24 hours is enough for the Quick Freezing function after fresh foods are placed in the freezer. After some time, Quick Freezing function will deactivate automatically.
- When freezing a small amount of food, Quick Freezing function can be deactivated after some time to ensure energy saving.
- Depending on the product's features; defrosting frozen foods in the cooler compartment will ensure energy saving and preserve food quality.
- In order to load the maximum quantity of food into the freezer compartment of your refrigerator, the upper drawers should be taken out and the food should be placed onto the wire/glass shelves.
- Food shall be stored using the drawers in the cooler compartment in order to ensure energy saving and protect food in better conditions.
- Food packages shall not be in direct contact with the temperature sensor located in the freezer compartment.

4.2 First Use

Before using your product make sure the necessary preparations are made in line with the instructions in "Safety Instructions" and "Installation" sections.

- Wait for at least 2 hours before operating the product, to ensure the complete efficiency of refrigeration.
- Keep the product running without placing any food inside for 6 hours and the product door should be kept as closed as possible.
- The temperature change caused by opening and closing of the door while using the product may normally lead to condensation on door/body shelves and glassware placed in the product.
- A sound will be heard when the compressor is engaged. It is normal for the product to make noise even if the compressor is not running, as fluid and gas may be compressed in the cooling system.
- It is normal for the front edges of the product to be warm. These areas are designed to warm up in order to prevent condensation
- For some models, indicator panel turns off automatically 1 minute after the door closes. It will be reactivated when the door is opened or any button is pressed.

4.3 Climate Class and Definitions

Please refer to the Climate Class on the rating plate of your device. One of the following information is applicable to your device according to the Climate Class.

- **SN:** Long Term Temperate Climate: This cooling device is designed for use at ambient temperatures between 10 °C and 32 °C.
- **N:** Temperate Climate: This cooling device is designed for use at ambient temperatures between 16°C and 32 °C.
- **ST:** Subtropical Climate: This cooling device is designed for use at ambient temperatures between 16°C and 38°C.
- **T:** Tropical Climate: This cooling device is designed for use at ambient temperatures between 16°C and 43°C.

5 Operating the Product

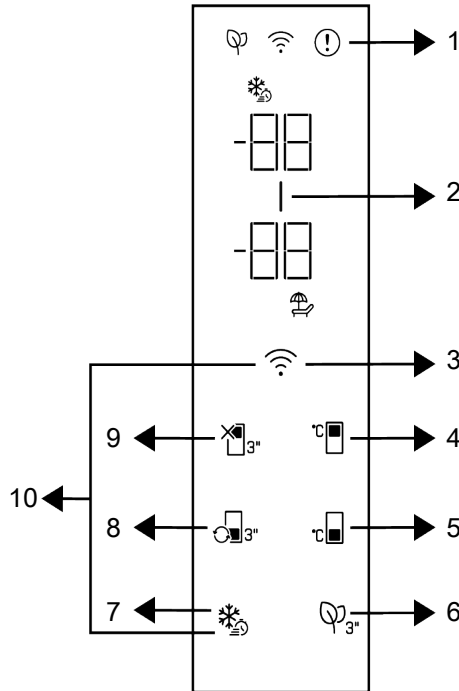
Read the "Safety Instructions" first!

- The product shall be used for storing food only.
- Turn off the water valve if you will be away from home (e.g. at vacation) and you will not be using the Icematic or the water dispenser for a long period of time. Otherwise, water leaks may occur.

Unplugging the Product

- Remove the food to prevent odours,
- Wait for the ice to melt, clean the interior and let it dry, leave the doors open to avoid damaging the inner body plastics.

6 Control Panel of the Product



1 * Error Status Indicator

3 *Wireless Key

5 * Freezer Compartment Temperature Setting Key

7 * Quick Freezing Key

9 * Cooler Compartment OFF (Vacation) Function

2 * Energy Saving (Display Off) Indicator

4 * Cooler Compartment Temperature Setting Key

6 * Deodoriser Module Key

8 *Compartment Conversion Key

10 *Key for Resetting Wireless Connection Settings

Read the "Safety Instructions" first!

Auditory and visual functions on the indicator panel will assist you when using the product.

***Optional:** Shown functions are optional, there may be differences of shape and location in functions found on your appliance's indicator panel.

1.Error Condition Indicator

This indicator shall be active when your refrigerator cannot perform adequate cooling or in case of any sensor error. "E" will be displayed on the freezer compartment temperature indicator and figures such as 1,2,3... will be displayed on the cooler compartment temperature indicator. These fig-

ures on the indicator provide information to the authorized service about the error that has occurred. Exclamation mark may be displayed when you load warm food to the freezer compartment or keep the door open for a long period of time. This is not a fault, this warning shall be removed when the food is cooled down or when any key is pressed.

2. Energy Saving (Display Off) Indicator

Energy saving function is enabled automatically and the energy saving symbol lights up when the door of the product is not opened or closed for some period of time. When the energy saving function is active, all symbols on the display except the energy saving symbol shall be turned off. When the energy saving function is active, pressing any key or opening the door will deactivate the energy saving function and the display signals will return to normal. The energy saving function is a function activated ex-factory and cannot be cancelled.

3. Wireless Key

This key is utilized to connect wirelessly to your appliance through HomeWhiz mobile application. If the key is pressed for a long time (3 seconds), the wireless connection symbol on the display/indicator will blink slowly (in 0.5 second intervals). The home network is initialized on the product this way. After achieving wireless connection with the product, wireless connection symbol illuminates continuously. You may activate/deactivate the connection after the first setting is completed by pressing this key. The wireless connection symbol will flash quickly (at 0.2 second intervals) until the connection is established. When the connection becomes active, wireless connection symbol flashes continuously. If the connection cannot be established for a long period, check your connection settings and refer to the "Troubleshooting" section provided in the user manual. Use HomeWhiz application for wireless connection. The installation steps are described on the application during installation. You may ac-

cess the application by reading the QR code available on the HomeWhiz label on the product. The application can be obtained from App Store for IOS devices or from Play Store for Android devices. For details visit <https://www.homewhiz.com/> address.

4. Cooler Compartment Temperature

Setting Key

Allows setting of temperature for cooler compartment. Pressing the key will enable the cooler compartment temperature to be set at 8 °C, 7 °C, 6 °C, 5 °C, 4 °C, 3 °C, 2 °C, and 1 °C.

5. Freezer Compartment Temperature

Setting Key

Temperature setting is made for freezer compartment. Pressing the key will enable the freezer compartment temperature to be set at -18 °C, -19 °C, -20 °C, -21 °C, -22 °C, -23 °C, and -24 °C.

6. Deodoriser Module Key

Press this key for 3 seconds to activate/deactivate the deodoriser feature. When the deodoriser feature is active, the deodoriser module icon is illuminated. When the feature is active, the deodoriser module will be operated periodically.

7. Quick Freezing Key

When the quick freezing key is pressed the quick freezing symbol shall be illuminated and the quick freezing function shall be activated. The freezer compartment temperature is set to -27 °C. Press the key again to cancel the function. The quick freezing function will be cancelled automatically. To freeze a large amount of fresh food, press the quick freezing key before placing the food in the freezer compartment.

8. Compartment Conversion Key

When the compartment conversion key is pressed for 3 seconds, the freezer compartment switches between cooler, off and freezer modes, respectively. When it is operated as cooler compartment, the com-

partment temperature is set as 4 °C. In OFF mode, compartment temperature indicator shall display "--".

9. Cooler Compartment Off (Vacation)

Function Key

Press the key for 3 seconds to activate the vacation function. Vacation mode is activated and the vacation symbol is illuminated. "--" expression is displayed on the cooler compartment temperature indicator and the cooler compartment does not perform active cooling operation. It is not suitable to keep your food in the cooler compartment when this function is activated. The other compartments continue to cool according to temperatures set before. Press the key for 3 seconds again to cancel this function.

7 Use of Your Appliance

7.1 Storing Food in the Cooler Compartment

Storing Food in the Cooler Compartment

- Compartment temperatures rise prominently if compartment door is opened and closed frequently and kept open for a long time, this can reduce the life span of the food and cause the food to spoil.
- In order not to cause odour and taste changes, the food should be stored in the closed containers.
- To achieve a better and homogeneous cooling, place the food separately in a way that cold air can wander through them.
- Provide air flow by leaving a space between the food and internal wall. If you lean the food against the rear wall, the food may freeze.
- Bring cooked hot meals to the room temperature before placing them in the refrigerator. Then, you can place the tepid meal in the lower shelves of your refrigerator. Place warm foods away from perishable foods.

10. Key for Resetting Wireless Connection Settings +

To reset wireless connection settings, Quick freezing and Wireless connection keys should be pressed simultaneously for 3 seconds. All user information recorded previously are removed on the product where wireless connection settings are reset/restored to factory defaults.

The temperature can be set between 1-8°C for the chiller compartment and between -24 and -15°C for the freezer compartment. Adjustable temperature values may vary provided that they are within these ranges according to product specifications.

- Especially pay attention not to mix the foods sold as frozen with the fresh foods.
- Defrost your frozen food in the fresh food compartment. Thereby, you can cool fresh food compartment by using frozen food and save energy.
- Storing unripe tropical fruits (mango, melon varieties, papaya, banana, pineapple) in the refrigerator may speed up the ripening process. This is not recommended because it will cause shorter storage time.
- You should store onions, garlicks, gingers and other root vegetables in dark and cold room conditions, not in the refrigerator.
- If you notice that a food has spoiled in the refrigerator, throw away that food and clean the accessories which have come into contact with it.

- In order to cool the meals like soups and stews, which are cooked in the large pots, quickly, you can put them in the refrigerator by separating them into their own shallow containers.
- Place unpackaged food away from eggs.
- Keep the fruits and vegetables separately and store each variety together (for example; apples with apples, carrots with carrots).
- Take green vegetables out of the plastic bag and place them in the refrigerator after wrapping them in a paper towel or

drying cloth. If you wash this type of food before placing them in the refrigerator, remember to dry them.

- You can both create a damp environment and provide an air flow by keeping fruits and vegetables, which are prone to drying, in the perforated or unsealed plastic bags.
- Except the cases where extreme circumstances are available in the environment, if your product (on the recommended set values table) is set to the specified set values, the food keep their freshness for a longer time both in the fresh product compartment and freezer compartment.

Store Foods In The Different Places According To Their Properties:	
Food	Location
Egg	Door Shelf
Dairy products (butter, cheese)	If available, zero degree (for breakfast food) compartment
Fruits, vegetables and greenery	Fruit-vegetable compartment, crisper or EverFresh+ compartment (if available)
Fresh meat, poultry, fish, sausage etc. Cooked foods	If available, zero degree (for breakfast food) compartment
Ready to serve foods, packaged products, canned foods and pickles	Top shelves or door shelf
Beverages, bottles, spices and snacks	Door Shelf

Storing Food In The Freezer Compartment

- You can activate Quick Freezing function 4-6 hours before freezing function and perform a faster cooling.
- Bring hot meals to the room temperature before placing them in the freezer compartment.
- Foods to be frozen must be divided into portions according to a size to be consumed, and frozen in separate packages.
- It is recommended to pack the foods before placing them in the freezer.
- In order to prevent expiration of storage time, write the freezing date, time and name of the product on the package according to the storage times of different foods.
- Consume the foods you have defrosted quickly. Defrosted foods cannot be frozen again unless they are cooked. It is

not safe to consume the refrozen fresh foods without cooking after they are defrosted.

- As you freeze fresh foods, do not bring them in contact with already frozen foods. Otherwise, frozen foods will be defrosted.

Storing The Foods, Which Are Sold Frozen

- When storing food, follow the time periods specified in these instructions.
- In order to protect the quality of the food, keep the time interval between purchasing transaction and storing as short as possible.
- Buy frozen food which are stored at -18°C or lower temperatures.
- Avoid buying foods whose packages are covered with ice etc. This means that the product could be partially defrosted and refrozen. Temperature impacts the quality of the food.

- Store food for manufacturer's recommended time. Remove only the food as much as you need from the freezer.
- Except the cases where extreme circumstances are available in the environment, if your product (on the recommended set values table) is set to the specified set values, the food keep their freshness for a longer time both in the fresh product compartment and freezer compartment.
- If fresh food compartment is set to a lower temperature, fresh fruits and vegetables may be partially frozen.
- The two-star compartments are suitable for pre-frozen food. Ice cream and ice cubes can be stored.
- Freeze food only in 4-star compartment.

Meat and Fish		Preparation		Longest storage time (month)	
Meat Products	Veal	Steak	By cutting them 2 cm thick and placing foil between them or wrapping tightly with stretch	6-8	
		Roast	By packing the pieces of meat in a refrigerator bag or wrapping them tightly with stretch	6-8	
		Cubes	In small pieces	6-8	
		Schnitzel, chops	By placing foil between cut slices or wrapping individually with stretch	6-8	
	Mutton	Chops	By placing foil between meat pieces or wrapping individually with stretch	4-8	
		Roast	By packing the pieces of meat in a refrigerator bag or wrapping them tightly with stretch	4-8	
		Cubes	By packing the shredded meats in a refrigerator bag or wrapping them tightly with stretch	4-8	
	Beef	Roast	By packing the pieces of meat in a refrigerator bag or wrapping them tightly with stretch	8-12	
		Steak	By cutting them 2 cm thick and placing foil between them or wrapping tightly with stretch	8-12	
		Cubes	In small pieces	8-12	
		Boiled meat	By packaging in small pieces in a refrigerator bag	8-12	
	Mince		Without seasoning, in flat bags		1-3
	Offal (piece)		In pieces		1-3
	Fermented sausage - Salami		It should be packaged even if it has casing.		1-3
Ham		By placing foil between cut slices		2-3	
Poultry and hunting animals	Chicken and Turkey		By wrapping in foil	4-6	
	Goose		By wrapping in foil (portions should not exceed 2.5 kg)	4-6	
	Duck		By wrapping in foil (portions should not exceed 2.5 kg)	4-6	
	Deer, Rabbit, Roe Deer		By wrapping in foil (portions should not exceed 2.5 kg, and their bones should be separated)	6-8	

Meat and Fish		Preparation	Longest storage time (month)
Fish and sea-food	Freshwater fish (Trout, Carp, Crane, Catfish)	After thoroughly cleaning the inside and scales, it should be washed and dried, and the tail and head parts should be cut when necessary.	2
	Lean fish (Sea bass, Turbot, Sole)		4-6
	Fatty fish (Bonito, Mackereel, Bluefish, Red Mullet, Anchovy)		2-4
	Shellfish	Cleaned and in bags	4-6
	Caviar	In its packaging, in an aluminium or plastic container	2-3

"The storage times specified in the table are based on the storage temperature of -18°C. "

Fruits and Vegetables	Preparation	Longest storage time (month)
String bean and Pole bean	By shock boiling for 3 minutes after washing and cutting into small pieces	10-13
Green pea	By shock boiling for 2 minutes after shelling and washing	10-12
Cabbage	By shock boiling for 1-2 minute(s) after cleaning	6-8
Carrot	By shock boiling for 3-4 minutes after cleaning and cutting into slices	12
Pepper	By boiling for 2-3 minutes after cutting the stem, dividing into two and separating the seeds	8-10
Spinach	By shock boiling for 2 minutes after washing and cleaning	6-9
Leek	By shock boiling for 5 minutes after chopping	6-8
Cauliflower	By shock boiling in a little lemon water for 3-5 minutes after separating the leaves, cutting the core into pieces	10-12
Eggplant	By shock boiling for 4 minutes after washing and cutting into 2cm pieces	10-12
Squash	By shock boiling for 2-3 minutes after washing and cutting into 2cm pieces	8-10
Mushroom	By lightly sauteing in oil and squeezing lemon on it	2-3
Corn	By cleaning and packing in cob or granular	12
Apple and Pear	By shock boiling for 2-3 minutes after peeling and slicing	8-10
Apricot and Peach	Divide in half and extract the seeds	4-6
Strawberry and Raspberry	By washing and shelling	8-12
Baked fruit	By adding 10% sugar in the container	12
Plum, Cherry, Sour Cherry	By washing and shelling the stalks	8-12

"The storage times specified in the table are based on the storage temperature of -18°C. "

Dairy Products	Preparation	Longest Storage Time (Month)	Storage Conditions
Cheese (except feta cheese)	By placing foil therebetween, in slices	6-8	It can be left in its original packaging for short term storage. For long-term storage it should also be wrapped in aluminium or plastic foil.
Butter, margarine	In its own packaging	6	In its own packaging or in plastic containers

"The storage times specified in the table are based on the storage temperature of -18°C. "

"The amount of fresh food that can be frozen for a certain period of time is specified on the type label."

Freezer Compartment Setting	Cooler Compartment Setting	Remarks
-20°C	4°C	This is the default, recommended setting. This setting is recommended if ambient temperature is below 30°C.
-22 or -24 °C	4°C	These settings are recommended for ambient temperatures exceeding 30°C.
Quick Freeze	4°C	Use when you want to freeze your food in a short time. When the process ends, the product's settings will return to previous position.
-18°C or colder	2°C	Use these settings if you believe the cooler compartment is not cold enough due to ambient temperature or frequently opening the door.

Quick Freezing

1. Activate the quick freezing function 24 hours before placing your fresh foods.
2. After 24 hours after pressing the button, place your food that you want to freeze on the second shelf with higher freezing capacity.
3. Once the quick freezing function is activated, it is automatically cancelled after a period of time.

Freezer Details

As per the IEC 62552 standards, the freezer must have the capacity to freeze 4,5 kg of food items at -18°C or lower temperatures at 25°C room temperature in 24 hours for each 100 litres of freezer compartment volume.

Food products can only be preserved for extended periods at or below temperature of -18 °C.

You can keep the foods fresh for months (in freezer at or below temperatures of -18 °C).

The food products to be frozen must not contact the already-frozen food inside to avoid partial defrosting.

Boil the vegetables and filter the water to extend the frozen storage time. Place the food in air-tight packages after filtering and place in the freezer. Bananas, tomatoes, lettuce, celery, boiled eggs, potatoes and similar food items should not be frozen. In case these foods are frozen, only nutritional values and eating qualities will be negatively affected. A rotting that would threaten human health is not in question.

Placing The Food

Freezer compartment shelves: Different frozen foods like meat, fish, ice cream, vegetables etc.

Cooler compartment shelves: Food items inside pots, capped plate and capped cases, eggs (in closed case)

Cooler compartment door shelves: Small and packaged food or beverages

Crisper: Vegetables and fruits

Fresh food compartment: Delicatessen (breakfast food, meat products to be consumed in short time)

7.2 Crisper

The refrigerator's crisper is designed to keep vegetables fresh by preserving their humidity. For this purpose, the overall cold air circulation is intensified in the crisper. Keep fruits and vegetables in this compartment. Keep the green-leaved vegetables and fruits separately to prolong their life.

7.3 Humidity Controlled Crisper

With the humidity controlled crisper feature, the humidity of vegetables and fruits is kept under control and the food is kept fresh for a longer period of time.

We recommend that you place leafy vegetables such as lettuce, spinach and similar vegetables that are sensitive to moisture loss in the crisper, not upright on their roots, but as horizontally as possible.

When placing the vegetables, place heavy and hard vegetables at the bottom and light and soft ones on the top, taking into account the specific weights of vegetables.

Never leave vegetables in plastic bags in the crisper. Leaving them in plastic bags causes vegetables to rot in a short time. In situations where contact with other vegetables is not preferred, use packaging materials such as paper that has a certain level of porosity in terms of hygiene.

Do not put fruits that have a high ethylene gas production such as pear, apricot, peach and particularly apple in the same crisper with other vegetables and fruits. The ethylene gas coming out of these fruits might cause other vegetables and fruits to mature faster and rot in a shorter period of time.

7.4 Dairy Products Cold Storage Area

Cold Storage Drawer

The Cold Storage Drawer can reach lower temperatures in the cooler compartment. Use this drawer for delicatessen products (salami, sausage, etc.) and dairy products that require colder storage conditions, or for meat, chicken or fish to be consumed quickly. It is not suitable to store fruits and vegetables in this drawer.

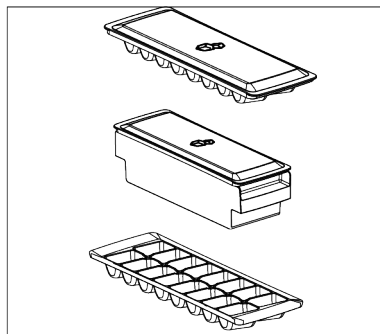
7.5 The ice storage area

Ice Container

Ice bucket allows you take ice easily from the refrigerator.

Using the ice bucket

1. Take the ice bucket out of the freezer compartment.
2. Fill the ice bucket with water.
3. Place the ice bucket into the freezer compartment. The ice will be ready after approximately two hours.
4. Take the ice bucket from the freezer compartment and bend in slightly over the holder that you are going to serve. Ice will easily pour into the serving holder.



7.6 Reversing the Door Opening Side

The door opening side of your refrigerator can be reversed according to the place you put it. For the products that include elec-

tronical display when you need this, you should definitely call the nearest Authorized Service.

7.7 Door Open Alert

The door open alert system of your refrigerator may differ depending on the model.

Version 1;

If the door of the product remains open for a certain time (between 60 s and 120 s), an audio warning signal sounds; depending on the product model, a visual warning signal (light flash) can also be displayed. If you close the door of the device or press a button on the screen of the device, if any, the warning sound will stop.

Version 2;

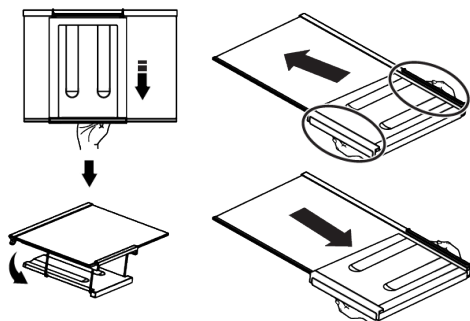
If the door of the device remains open for a certain period of time (between 60 s and 120 s), the door open alert is sounded. The door open alert is sounded gradually. First, an audible warning starts to sound. After 4 minutes, if the door is still not closed, a visual warning (lighting flash) is activated. The door open alert will be delayed for a certain period of time (between 60 s and 120 s) when any key on the product screen, if any, is pressed. Then the process will start again. When the device door is closed, the door open alert will be cancelled.

7.8 Foldable Wine Rack

It allows the user to store wine bottles if necessary. To use the rack section, grasp the plastic part and gently pull it down. You can now use the foldable wine rack.



It is recommended to store a maximum of 2 wine bottles on the foldable wine rack.



To group the wine rack, first remove the glass shelf from the refrigerator. Place it on the glass shelf by pushing the plastic part through the front and back grooves as shown in the picture. The product will be ready to use with the foldable wine rack.

To remove the foldable wine rack, first remove the glass shelf from the refrigerator. Then grab the plastic part and pull it in any direction. You can now use the product without a foldable wine rack when needed.

7.9 Replacing the Illumination Lamp

Call the Authorized Service when the Bulb/LED used for lighting in your refrigerator will be replaced.

Lamp(s) used in this appliance cannot be used for house lighting. Intended use of this lamp is to help the user place food into the refrigerator / freezer safely and comfortably.

7.10 Fan

The fan is designed to ensure that the cold air is distributed and circulates homogeneously in it. The operating time of the fan may change according to the feature of the product.

Whereas, in some of the products, the fan only operates with the compressor, in the other products, the control system determines the time the fan will operate according to the cooling need.

7.11 Egg holder

You can place the egg holder on the door or body shelf you wish.

If the egg holder is to be placed on the body shelf, we recommend you to choose colder lower shelves.

- Never place the egg holder on the freezer compartment.

8 Maintenance and Cleaning

Read the "Safety Instructions" first!

Before cleaning your product, unplug it or de-energize the fuse to which it is connected.

Do not place your hands, feet or metal objects under the refrigerator or between the refrigerator and the floor for whatsoever reason. Jamming may occur or any sharp edge may cause personal injuries.

- Do not use sharp or abrasive tools to clean the product. Do not use materials such as household cleaning agents, soap, detergents, gas, gasoline, thinner, alcohol, wax, etc.
- The dust shall be removed from the ventilation grill on the rear of the product at least once a year (without opening the cover). Clean the product with a dry cloth.
- Take care to keep water away from the lamp's cover and other electrical parts.
- Clean the door with a damp cloth. Remove all contents to remove the door and body racks. Remove the door racks by lifting them upwards. Clean and dry the shelves, then attach back in place by sliding from above.
- Do not use chlorinated water or cleaning products on the exterior surface and chrome coated parts of the product. Chlorine will cause rust on such metallic surfaces.
- Do not use sharp and abrasive tools, soap, house cleaning materials, detergents, gas, gasoline, varnish and similar substances to prevent deformation of and removal of prints on the plastic part. Use warm water and a soft cloth for cleaning, and then dry it.
- On the products without a No-Frost feature, water droplets and icing up to a thickness of a finger may occur on the

rear wall of the cooler compartment. Do not clean, and never apply oils or similar materials.

- Use only a mildly dampened micro-fibre cloth to clean the external surface of the product. Sponges and other types of cleaning clothes may cause scratches.
- To clean all removable components during the cleaning of the interior surface of the product, wash these components with a mild solution consisting of soap, water and carbonate. Wash and dry thoroughly. Prevent contact of water with illumination components and the control panel.
- Do not use vinegar, rubbing alcohol or other alcohol based cleaning agents on any interior surface.

Stainless Steel External Surfaces

Use a non-abrasive stainless steel cleaning agent and apply it with a soft lint-free cloth. To polish, gently wipe the surface with a micro-fibre cloth dampened with water and use dry polishing chamois. Always follow the veins of the stainless steel.

Preventing Odours

The product is manufactured free of any odorous materials. However, inappropriately storing food and improper cleaning of internal surfaces may lead to odours.

- To avoid this, clean the inside with carbonated water every 15 days.
- Keep the foods in sealed holders, as micro-organisms arising from foods kept in unsealed containers will cause bad odour.
- Do not keep expired and spoilt foods in the refrigerator.

Protecting Plastic Surfaces

Oil spilled on plastic surfaces may damage the surface and must be cleaned immediately with warm water.

9 Troubleshooting

Read the "Safety Instructions" first!

Check this list before contacting the service. Doing so will save you time and money. This list includes frequent complaints that are not related to faulty workmanship or materials. Certain features mentioned herein may not apply to your product.

If the problem persists after following the instructions in this section, contact your vendor or an Authorized Service. Do not try to repair the product.

The refrigerator is not working.

- The power plug is not fully settled. >>> Plug it in to settle completely into the socket.
- The fuse connected to the socket powering the product or the main fuse is blown. >>> Check the fuse.

Condensation on the side wall of the cooler compartment (MULTI ZONE, COOL CONTROL and FLEXI ZONE).

- The door is opened too frequently. >>> Take care not to open the product's door too frequently.
- The environment is too humid. >>> Do not install the product in humid environments.
- Foods containing liquids are kept in unsealed holders. >>> Keep the foods containing liquids in sealed holders.
- The product's door is left open. >>> Do not keep the product's door open for long periods.
- The thermostat is set to a very cool temperature. >>> Set the thermostat to an appropriate temperature.

Compressor is not working.

- In case of sudden power failure or pulling the power plug off and putting back on, the gas pressure in the product's cooling system is not balanced, which triggers

the compressor thermic safeguard. The product will restart after approximately 6 minutes. If the product does not restart after this period, contact the service.

- Defrosting is active. >>> This is normal for a fully-automatic defrosting product. The defrosting is carried out periodically.
- The product is not plugged in. >>> Make sure the power cord is plugged in.
- The temperature setting is incorrect. >>> Select the appropriate temperature setting.
- The power is out. >>> The product will continue to operate normally once the power is restored.

The refrigerator's operating noise is increasing while in use.

- The product's operating performance may vary depending on the ambient temperature variations. This is normal and not a malfunction.

The refrigerator runs too often or for too long.

- The new product may be larger than the previous one. Larger products will run for longer periods.
- The room temperature may be high. >>> The product will normally run for long periods in higher room temperature.
- The product may have been recently plugged in or a new food item is placed inside. >>> The product will take longer to reach the set temperature when recently plugged in or a new food item is placed inside. This is normal.
- Large quantities of hot food may have been recently placed into the product. >>> Do not place hot food into the product.

- The doors were opened frequently or kept open for long periods. >>> The warm air moving inside will cause the product to run longer. Do not open the doors too frequently.
- The freezer or cooler door may be ajar. >>> Check that the doors are fully closed.
- The product may be set to a temperature that is too low. >>> Set the temperature to a higher degree and wait for the product to reach the adjusted temperature.
- The cooler or freezer door washer may be dirty, worn out, broken or not properly settled. >>> Clean or replace the gasket. Damaged / torn door washer will cause the product to run for longer periods to preserve the current temperature.

The freezer temperature is very low, but the cooler temperature is adequate.

- The freezer compartment temperature is set to a very low degree. >>> Set the freezer compartment temperature to a higher degree and check again.

The cooler temperature is very low, but the freezer temperature is adequate.

- The cooler compartment temperature is set to a very low degree. >>> Set the cooler compartment temperature to a higher degree and check again.

The food items kept in cooler compartment drawers are frozen.

- The cooler compartment temperature is set to a very low degree. >>> Set the cooler compartment temperature to a higher degree and check again.

The temperature in the cooler or the freezer is too high.

- The cooler compartment temperature is set to a very high degree. >>> Temperature setting of the cooler compartment has an effect on the temperature in the freezer compartment. Wait until the temperature of relevant parts reach the sufficient level by changing the temperature of cooler or freezer compartments.

- The doors were opened frequently or kept open for long periods. >>> Do not open the doors too frequently.
- The door may be ajar. >>> Fully close the door.
- The product may have been recently plugged in or a new food item is placed inside. >>> This is normal. The product will take longer to reach the set temperature when recently plugged in or a new food item is placed inside.
- Large quantities of hot food may have been recently placed into the product. >>> Do not place hot food into the product.

Shaking or noise.

- The surface is not flat or durable >>> If the product is shaking when moved slowly, adjust the stands to balance the product. Also make sure the ground is sufficiently durable to bear the product.
- Any items placed on the product may cause noise. >>> Remove any items placed on the product.
- The product is making noise of liquid flowing, spraying etc.
- The product's operating principles involve liquid and gas flows. >>> This is normal and not a malfunction.

There is sound of wind blowing coming from the product.

- The product uses a fan for the cooling process. This is normal and not a malfunction.

There is condensation on the product's internal walls.

- Hot or humid weather will increase icing and condensation. This is normal and not a malfunction.
- The doors were opened frequently or kept open for long periods. >>> Do not open the doors too frequently; if open, close the door.
- The door may be ajar. >>> Fully close the door.

There is condensation on the product's exterior or between the doors.

- The ambient weather may be humid, this is quite normal in humid weather. >>> The condensation will dissipate when the humidity is reduced.

The interior smells bad.

- The product is not cleaned regularly. >>> Clean the interior regularly using sponge, warm water and carbonated water.
- Certain holders and packaging materials may cause odour. >>> Use holders and packaging materials without free of odour.
- The foods were placed in unsealed holders. >>> Keep the foods in sealed holders. Micro-organisms may spread out of unsealed food items and cause bad odour.
- Remove any expired or spoilt foods from the product.

The door is not closing.

- Food packages may be blocking the door. >>> Relocate any items blocking the doors.

- The product is not standing in full upright position on the ground. >>> Adjust the stands to balance the product.
- The surface is not flat or durable >>> Make sure the surface is flat and sufficiently durable to bear the product.

The crisper is jammed.

- The food items may be in contact with the upper section of the drawer. >>> Re-organize the food items in the drawer.

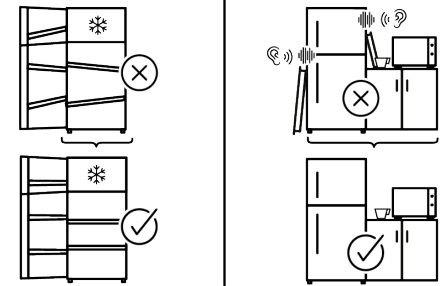
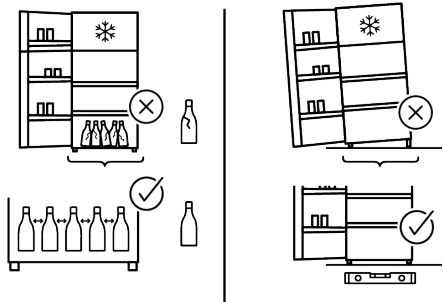
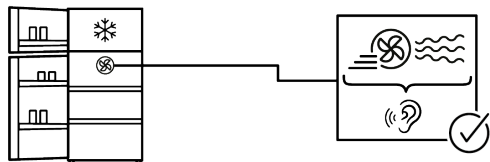
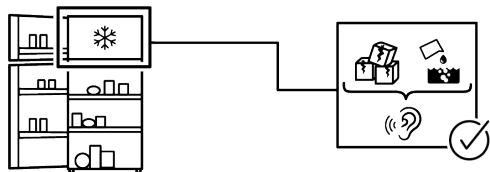
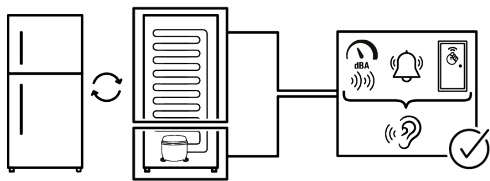
Temperature on the product surface.

- High temperature may be observed between two doors, on the side panels and on the rear grill area while your product is operated. This is normal and it does not require servicing.

Fan continues to operate when the door is opened.

- Fan may continue to operate when the freezer door is open.

If the problem persists after following the instructions in this section, contact your vendor or an Authorized Service. Do not try to repair the product. This is normal.



DISCLAIMER

Some (simple) failures can be adequately handled by the end-user without any safety issue or unsafe use arising, provided that they are carried out within the limits and in accordance with the following instructions (see the "Self-Repair" section).

Therefore, unless otherwise authorized in the "Self-Repair" section below, repairs shall be addressed to registered professional repairers in order to avoid safety issues. A registered Professional repairer is a professional repairer that has been granted access to the instructions and spare parts list of this product by the manufacturer according to the methods described in legislative acts pursuant to Directive 2009/125/EC.

However, only the service agent (i.e. authorized professional repairers) that you can reach through the phone number given in the user manual/warranty card or through your authorized dealer may provide service under the guarantee terms. Therefore, please be advised that repairs by professional repairers (who are not authorized by) Whirlpool shall void the guarantee.

Self-Repair

Self-repair can be done by the end-user with regard exclusively to the following spare parts: door handles, door hinges, trays, baskets and door gaskets (an updated list is also available <https://parts-selfservice.europeanappliances.com> as of 1st March 2021).

Moreover, to ensure product safety and to prevent risk of serious injury, the mentioned self-repair shall be done following the instructions in the user manual for selfrepair or which are available in <https://parts-selfservice.europeanappliances.com>. For your safety, unplug the product before attempting any self-repair.

Repair and repair attempts by end-users for parts not included in such list and/or not following the instructions in the user manu-

als for self-repair or which are available in <https://parts-selfservice.europeanappliances.com>, might give rise to safety issues not attributable to Whirlpool, and will void the warranty of the product.

Therefore, it is highly recommended that end-users refrain from the attempt to carry out repairs falling outside the mentioned list of spare parts, contacting in such cases authorized professional repairers or registered professional repairers. On the contrary, such attempts by end-users may cause safety issues and damage the product and subsequently cause fire, flood, electrocution and serious personal injury to occur.

By way of example, but not limited to, the following repairs must be addressed to authorized professional repairers or registered professional repairers: compressor, cooling circuit, main board, inverter board, display board, etc.

The manufacturer/seller cannot be held liable in any case where end-users do not comply with the above.

The spare part availability of the refrigerator that you purchased is 10 years. During this period, original spare parts will be available to operate the refrigerator properly. The minimum duration of guarantee of the refrigerator that you purchased is 24 months.

This product is equipped with a lighting source of the "G" energy class.

The lighting source in this product shall only be replaced by Professional repairer.

Premièrement veuillez lire ce manuel !

Cher client, chère cliente,

Nous vous remercions d'avoir choisi ce produit.

Veuillez enregistrer vos produits sur www.register10.eu





Nous aimerions que vous obteniez une efficacité optimale de cet appareil de haute qualité qui a été fabriqué avec une technologie de pointe. Pour ce faire, lisez attentivement ce manuel et toute autre documentation fournie avant d'utiliser le produit.

Tenez compte de toutes les informations et avertissements du manuel d'utilisation. De cette façon, vous vous protégez, vous et votre appareil, contre les dangers qui peuvent survenir. Conservez le manuel d'utilisation. Joignez ce guide à l'unité si vous le remettez à quelqu'un d'autre.

Les symboles suivants sont utilisés dans le manuel de l'utilisateur et sur le produit :



Lisez le manuel d'utilisation.


 ENERG  	Les informations sur le modèle, telles qu'elles sont enregistrées dans la base de données des produits, peuvent être obtenues en accédant au site web suivant et en recherchant l'identifiant du modèle (*) figurant sur l'étiquette énergétique. https://eprel.ec.europa.eu/
SUPPLIER'S NAME 	



1	Instructions environnementales	26
1.1	Élimination des matériaux d'emballage.....	26
2	Votre réfrigérateur	26
3	Installation.....	27
3.1	Le bon endroit pour l'installation..	27
3.2	Réglages des pieds avant.....	27
3.3	Attention aux surfaces chaudes...	27
3.4	Retrait du polystyrène sur le compresseur	27
4	Préparation.....	28
4.1	Moyens d'économiser l'énergie....	28
4.2	Première utilisation	29
4.3	Classe climatique et définitions ...	29
5	Fonctionnement de l'appareil	29
6	Panneau de contrôle du produit.....	30
7	Utilisation de votre appareil.....	32
7.1	Stockage des aliments dans le compartiment réfrigérant.....	32
7.2	Bac à légumes	38
7.3	bac à légumes avec contrôle d'humidité	38
7.4	Zone d'entreposage frais des produits laitiers	38
7.5	La zone de stockage de la glace..	39
7.6	Inversion du côté d'ouverture de la porte	39
7.7	Alerte de porte ouverte.....	39
7.8	Porte-bouteille pliable	39
7.9	Remplacement de la lampe d'éclairage.....	40
7.10	Ventilateur.....	40
7.11	Porte-œuf	40
8	Entretien et nettoyage.....	40
9	Dépannage.....	41

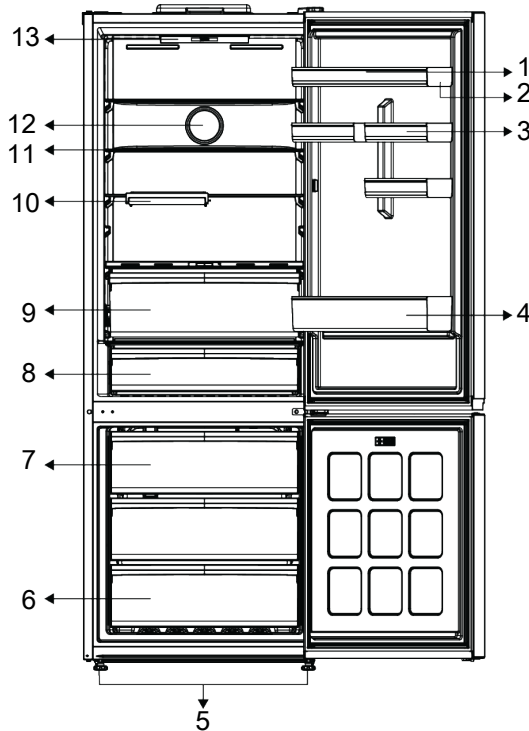
1 Instructions environnementales

1.1 Élimination des matériaux d'emballage

Les matériaux d'emballage sont recyclables et sont marqués du symbole de recyclage .

Les différentes parties de l'emballage doivent donc être éliminées de manière responsable et dans le respect des réglementations locales en matière d'élimination des déchets.

2 Votre réfrigérateur



- | | |
|-------------------------------|-------------------------------|
| 1 Porte-œufs | 2 étagères de porte réglables |
| 3 * Petite étagère avec porte | 4 Étagère pour les bouteilles |
| 5 Pieds réglables | 6 Compartiment de congélation |
| 7 Réservoir glacière | 8 Tiroir de stockage du froid |
| 9 Bac à légumes | 10 * Tablette rabattable |
| 11 Étagère réglable | 12 Ventilateur |
| 13 Éclairage | |

***En option :** Les illustrations présentées dans ce manuel d'utilisation sont schématiques et peuvent ne pas correspondre

exactement à votre produit. Si votre appareil ne présente pas les parties citées, alors l'information s'applique à d'autres modèles.

3 Installation

Lisez d'abord les « Consignes de sécurité » !

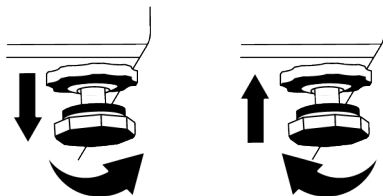
3.1 Le bon endroit pour l'installation

Contactez le service agréé pour l'installation de votre réfrigérateur. Pour préparer l'installation du réfrigérateur, lisez attentivement les instructions du manuel d'utilisation et assurez-vous que les équipements électriques et d'approvisionnement d'eau sont installés convenablement. Si ce n'est pas le cas, appelez un électricien et un plombier pour faire le nécessaire pour les services publics.

- Placez l'appareil sur une surface plane pour éviter les vibrations
- Placez le produit à 30 cm du chauffage, de la cuisinière et des autres sources de chaleur similaires et à au moins 5 cm des fours électriques.
- Lorsque deux réfrigérateurs sont installés côte à côte, laissez au moins 4 cm de distance entre les deux appareils
- Conservez l'appareil à l'abri de la lumière directe du soleil et dans un endroit sec.
- Votre appareil nécessite une circulation d'air adéquate pour pouvoir fonctionner efficacement. Si vous placez l'appareil dans une alcôve, n'oubliez pas de laisser un espace d'au moins 5 cm entre l'appareil, le plafond, la paroi arrière et les parois latérales.
- Vérifiez que l'élément de protection d'espace de la façade arrière est présent à son emplacement (au cas où il est fourni avec l'appareil).
- Si l'élément n'est pas disponible, perdu ou tombé, positionnez l'appareil de manière à laisser un espace d'au moins 5 cm entre la surface arrière de l'appareil et les murs de la pièce. L'espace prévu à l'arrière est important pour le fonctionnement efficace de l'appareil.

3.2 Réglages des pieds avant

Si l'appareil n'est pas équilibré, réglez les pieds avant en les tournant vers la gauche ou la droite.

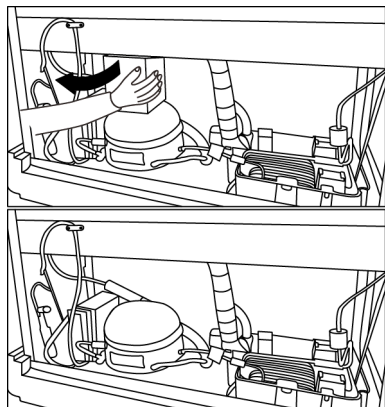


3.3 Attention aux surfaces chaudes

Les parois latérales de votre appareil sont équipées de tuyaux de refroidissement pour améliorer le système de refroidissement. Un fluide à haute pression peut s'écouler à travers ces surfaces, et provoquer des surfaces chaudes sur les parois latérales. C'est normal et cela ne nécessite pas d'entretien.

3.4 Retrait du polystyrène sur le compresseur

De la mousse de polystyrène est placée sur le compresseur lors de la production afin d'augmenter la résistance au transport du produit. Ce polystyrène doit être retiré lors de l'installation du produit.



4 Préparation

Lisez d'abord les « Consignes de sécurité » !

4.1 Moyens d'économiser l'énergie

- Cet appareil de réfrigération n'est pas conçu pour être utilisé comme un appareil encastré.
- Lorsque vous chargez les aliments, laissez suffisamment d'espace à l'intérieur du réfrigérateur pour permettre une circulation d'air suffisante pour le refroidissement.
- Comme l'air chaud et humide ne pénètre pas directement dans votre produit lorsque les portes ne sont pas ouvertes, votre produit s'optimisera dans des conditions suffisantes pour protéger vos aliments. Dans ces conditions, les fonctions et les composants tels que le compresseur, le ventilateur, le chauffage, le dégivrage, l'éclairage, l'affichage, etc. fonctionneront en fonction des besoins en consommant un minimum d'énergie.
- Dans le cas où plusieurs options sont présentes, les étagères en verre doivent être placées de manière à ce que les sorties d'air de la paroi arrière ne soient pas bloquées et, de préférence, de manière à ce que les sorties d'air restent sous l'étagère en verre. Cette combinaison peut contribuer à améliorer la distribution de l'air et l'efficacité énergétique.
- Il est fortement recommandé d'utiliser le tiroir du bas pour le rangement.
- Pour une performance optimale, la fonction de congélation rapide peut être utilisée (si elle est disponible) 24 heures avant de placer les aliments frais dans le congélateur.
- Dans la plupart des cas, 24 heures suffisent pour utiliser la fonction de congélation rapide après que les aliments frais ont été placés dans le congélateur. Au bout d'un certain temps, la fonction de congélation rapide se désactive automatiquement.
- Lorsque vous congelez une petite quantité d'aliments, la fonction de congélation rapide peut être désactivée au bout d'un certain temps pour économiser de l'énergie.
- Selon les caractéristiques de l'appareil, le dégivrage des aliments congelés dans le compartiment réfrigérateur assurera l'économie d'énergie et la préservation de la qualité des aliments.
- Afin de charger la quantité maximale d'aliments dans le compartiment congélateur, vous devez retirer les tiroirs supérieurs et placer les aliments sur les clayettes métalliques/en verre.

- Les aliments sont stockés à l'aide des tiroirs du compartiment réfrigéré afin de garantir une économie d'énergie et de protéger les aliments dans de meilleures conditions.
- Les emballages de denrées alimentaires ne doivent pas être en contact direct avec le capteur de température situé dans le compartiment de congélation.
- Il est normal que les bords avant de l'appareil soient chauds. Ces parties doivent en principe être chaudes afin d'éviter la condensation
- Pour certains modèles, le panneau indicateur s'éteint automatiquement 1 minute après la fermeture des portes. Il s'active à nouveau à l'ouverture de la porte ou lorsque vous appuyez sur n'importe quelle touche.

4.2 Première utilisation

Avant d'utiliser votre appareil, assurez-vous que les installations nécessaires sont conformes aux instructions des sections « Consignes de sécurité » et « Installation ».

- Attendez au moins 2 heures avant de faire fonctionner le produit, afin d'assurer la pleine efficacité de la réfrigération.
- Laissez l'appareil fonctionner à vide pendant 6 heures, et la porte de l'appareil doit être maintenue fermée autant que possible.
- Le changement de température causé par l'ouverture et la fermeture de la porte pendant l'utilisation du produit peut normalement entraîner la formation de condensation sur les tablettes de la porte/du corps et sur les verres placés dans l'appareil.
- Un son retentit à l'activation du compresseur. Il est normal que l'appareil fasse du bruit même si le compresseur ne fonctionne pas, car du fluide et du gaz peuvent être comprimés dans le système de refroidissement.

5 Fonctionnement de l'appareil

Lisez d'abord les « Consignes de sécurité » !

- Le appareil ne doit être utilisé que pour la conservation des aliments.
- Fermez le robinet d'eau si vous vous absentez de chez vous (par exemple, en vacances) et que vous n'utilisez pas le distributeur d'eau ou le distributeur de glace pendant une longue période. Dans le cas contraire, des fuites d'eau peuvent se produire.

4.3 Classe climatique et définitions

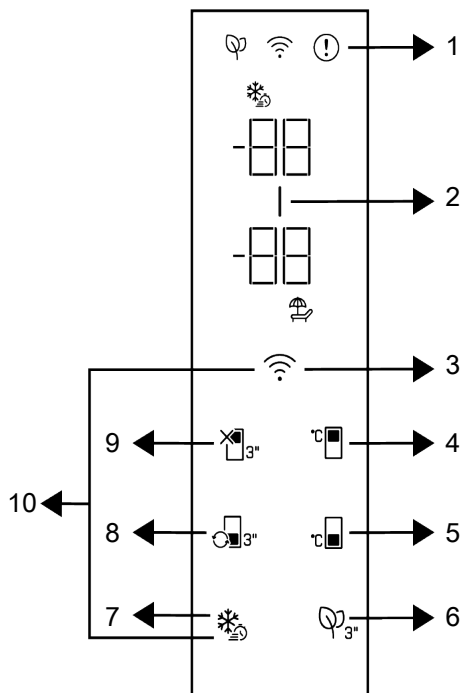
Veillez vous référer à la classe climatique figurant sur la plaque signalétique de votre appareil. L'une des informations suivantes s'applique à votre appareil selon la classe climatique.

- **SN** : Climat tempéré à long terme : Ce dispositif de refroidissement est conçu pour être utilisé à une température ambiante comprise entre 10 °C et 32 °C.
- **N** : Climat tempéré : Ce dispositif de refroidissement est conçu pour être utilisé à une température ambiante comprise entre 16°C et 32 °C.
- **ST** : Climat subtropical : Ce dispositif de refroidissement est conçu pour être utilisé à une température ambiante comprise entre 16°C et 38°C.
- **T** : Climat tropical : Ce dispositif de refroidissement est conçu pour être utilisé à une température ambiante comprise entre 16°C et 43°C.

Débrancher le produit

- Enlevez la nourriture pour éviter les odeurs,
- Attendez que la glace fonde, nettoyez l'intérieur et laissez-le sécher, laissez les portes ouvertes pour éviter d'endommager les plastiques intérieurs de la carrosserie.

6 Panneau de contrôle du produit



1 * Indicateur de condition d'erreur

3 *Clé sans fil

5 * Clé de réglage de la température du compartiment congélateur

7 * Clé de congélation rapide

9 * Touche de fonction ARRÊT du compartiment réfrigéré (vacances)

2 * Indicateur d'économie d'énergie (affichage éteint)

4 * Clé de réglage de la température du compartiment de refroidissement

6 * Clé du module désodorisant

8 * Clé de conversion des compartiments

10 * Clé pour la réinitialisation des paramètres de connexion sans fil

Lisez d'abord les « Consignes de sécurité » !

Les fonctions auditives et visuelles du panneau indicateur vous aideront à utiliser le produit.

***En option :** Les fonctions indiquées sont facultatives, il peut y avoir des différences de forme et d'emplacement au niveau des fonctions indiquées sur le panneau de votre appareil.

1. Indicateur de condition d'erreur

Cet indicateur doit être activé lorsque votre réfrigérateur ne peut pas assurer un refroidissement adéquat ou en cas d'erreur de capteur. « E » doit s'afficher sur l'indicateur de température du compartiment de congélation et des chiffres tels que 1,2,3...

doivent s'afficher sur l'indicateur de température du compartiment de réfrigération. Ces chiffres sur l'indicateur fournissent des informations au service autorisé sur l'erreur qui s'est produite. Un point d'exclamation peut être affiché lorsque vous chargez des aliments chauds dans le compartiment de congélation ou que vous gardez la porte ouverte pendant une longue période. Ce n'est pas un défaut, cet avertissement doit être retiré lorsque les aliments sont refroidis ou lorsqu'une touche est enfoncée.

2. Indicateur d'économie d'énergie (affichage éteint)

La fonction d'économie d'énergie est activée automatiquement et le symbole d'économie d'énergie s'affiche lorsque la porte du produit n'est pas ouverte ou fermée pendant un certain temps. Lorsque la fonction d'économie d'énergie est active, tous les symboles de l'écran, à l'exception du symbole d'économie d'énergie, sont éteints. Lorsque cette fonction est utilisée, la pression sur une touche quelconque ou l'ouverture de la porte entraîne sa désactivation et les voyants allumés retournent à la normale. La fonction d'économie d'énergie est une fonction activée départ usine et ne peut être annulée.

3. Touche sans fil

Vous pouvez utiliser cette touche pour vous connecter sans fil à votre appareil à travers l'application mobile HomeWhiz. Si vous appuyez sur la touche pendant une longue période (3 secondes), le symbole de connexion sans fil sur l'écran/l'indicateur clignote lentement (par intervalles de 0,5 seconde). Le réseau domestique est initialisé sur le produit de cette façon. Après avoir établi une connexion sans fil avec le pro-

duit, le symbole de connexion sans fil s'allume en continu. Vous pouvez activer/désactiver la connexion après le premier réglage en appuyant sur cette touche. Le symbole de connexion sans fil clignotera rapidement (à intervalles de 0,2 seconde) jusqu'à ce que la connexion soit établie.

Lorsque la connexion est active, le symbole de connexion sans fil clignote en continu. En cas d'impossibilité d'établir la connexion pendant une longue période, vérifiez vos paramètres de connexion et reportez-vous à la section « Dépannage » fournie dans le manuel de l'utilisateur. Utilisez l'application HomeWhiz pour la connexion sans fil. Les étapes d'installation sont décrites sur la demande lors de l'installation. Vous pouvez accéder à la demande en lisant le code QR disponible sur l'étiquette HomeWhiz apposée sur le produit. Vous pouvez télécharger l'application sur App Store pour les appareils IOS ou sur Play Store pour les appareils Android. Pour plus de détails, visitez le site <https://www.homewhiz.com/> address.

4. Touche de réglage de la température du compartiment réfrigérateur

Permet de régler la température du compartiment réfrigérateur. En appuyant sur la touche, la température du compartiment de réfrigération peut être réglée à 8° C, 7° C, 6° C, 5° C, 4° C, 3° C, 2° C, et 1° C.

5. Clé de réglage de la température du compartiment Congélateur

Le réglage de la température est effectué pour le compartiment de congélation. En appuyant sur cette touche, vous pourrez régler la température du compartiment congélateur à -18 °C, 19°C, -20 °C, -21 °C, -22 °C, -23 °C et -24 °C.

6. Touche du module désodorisant

Appuyez sur cette touche pendant 3 secondes pour activer/désactiver la fonction désodorisante. Lorsque la fonction désodorisante est active, l'icône du module désodorisant est allumée. Lorsque la fonction est activée, le module désodorisant fonctionne périodiquement.

7. Touche de gel rapide

Dès que vous appuyez sur la touche de congélation rapide, le symbole de congélation rapide s'allume et la fonction de congélation rapide est activée. La température du compartiment congélateur est réglée sur -27 °C. Appuyez à nouveau sur la touche pour annuler la fonction. La fonction de congélation rapide sera automatiquement annulée. Pour congeler une grande partie d'aliments frais, appuyez sur la touche de congélation rapide avant de mettre les aliments dans le compartiment congélateur.

8. Touche de conversion des compartiments

En appuyant sur la touche de conversion des compartiments pendant 3 secondes, le compartiment de congélation passe respectivement en mode réfrigération, arrêt et congélation. S'il est utilisé comme compartiment de réfrigération, la température du compartiment est réglée à 4 °C. En mode ARRÊT, l'indicateur de température du compartiment affiche « - - ».

9. Touche de fonction Arrêt du compartiment réfrigéré (vacances)

Appuyez sur la touche pendant 3 secondes pour activer la fonction vacances. Le mode vacances est activé et le symbole vacances est illuminé. L'expression « - - » s'affiche

sur l'indicateur de température du compartiment de réfrigération et ce dernier n'effectue pas d'opération de refroidissement active. Il n'est pas approprié de conserver les aliments dans le compartiment de réfrigération lorsque cette fonction est activée. Les autres compartiments continuent à se refroidir en fonction des températures précédemment réglées. Il suffit d'appuyer à nouveau sur la touche pendant 3 secondes pour annuler cette fonction.

10. Clé pour la réinitialisation des paramètres de connexion sans fil

Pour réinitialiser les paramètres de connexion sans fil, appuyez simultanément sur les touches de congélation rapide et de connexion sans fil pendant 3 secondes. Toutes les informations utilisateur enregistrées précédemment sont supprimées sur un produit dont les paramètres de connexion sans fil sont réinitialisés/rétablis aux valeurs par défaut de l'usine.

La température peut être réglée entre 1-8° C pour le compartiment réfrigérateur et entre - 24 et - 15° C pour le compartiment congélateur. Les valeurs de température réglables peuvent varier, à condition qu'elles se situent dans ces fourchettes, conformément aux spécifications du produit.

7 Utilisation de votre appareil

7.1 Stockage des aliments dans le compartiment réfrigérant

Stockage des aliments dans le compartiment réfrigérateur

- La température des compartiments augmente considérablement si la porte du compartiment est ouverte et fermée fréquemment et si elle reste ouverte pendant longtemps, ce qui peut réduire la durée de vie des aliments et les faire se gâter.
- Afin de ne pas provoquer de changements d'odeur et de goût, les aliments doivent être conservés dans des récipients fermés.
- Pour obtenir un refroidissement plus efficace et homogène, placez les aliments séparément de manière à ce que l'air froid puisse circuler.

- Assurez la circulation de l'air en laissant un espace entre l'aliment et la paroi interne. Si vous appuyez les aliments contre la paroi arrière, ils risquent de geler.
- Amenez les plats chauds cuisinés à la température ambiante avant de les placer dans le réfrigérateur. Ensuite, vous pouvez placer le repas tiède dans les étagères inférieures de votre réfrigérateur. Rangez les aliments chauds de sorte à les éloigner des denrées périssables.
- Faites surtout attention à ne pas mélanger les aliments vendus comme surgelés avec les aliments frais.
- Décongelez vos aliments congelés dans le compartiment des aliments frais. Ainsi, vous pouvez refroidir le compartiment des aliments frais en utilisant des aliments congelés et économiser de l'énergie.
- Conservez les fruits tropicaux non mûrs (mangue, variétés de melon, papaye, banane, ananas) au réfrigérateur peut accélérer le processus de maturation. Ceci n'est pas recommandé car cela entraîne une réduction de la durée de stockage.
- Vous devez conserver les oignons, les aulx, les gingembres et les autres légumes-racines dans une pièce sombre et froide, et non au réfrigérateur.
- Si vous remarquez qu'un aliment a tourné dans le réfrigérateur, jetez-le et nettoyez les accessoires qui ont été en contact avec cet aliment.
- Pour refroidir rapidement les plats tels que les soupes et les ragoûts, qui sont cuits dans de grandes marmites, vous pouvez les mettre au réfrigérateur en les séparant dans leurs propres récipients peu profonds.
- Disposez les aliments non emballés loin des œufs.
- Conservez les fruits et les légumes séparément et conservez chaque variété dans un même endroit (par exemple, les pommes avec les pommes, les carottes avec les carottes, etc.).
- Sortez les légumes verts du sac en plastique et placez-les au réfrigérateur après les avoir enveloppés dans une serviette en papier ou un linge sec. Si vous lavez ce type d'aliments avant de les placer dans le réfrigérateur, n'oubliez pas de les sécher.
- Vous pouvez à la fois créer un environnement humide et assurer une circulation d'air en conservant les fruits et légumes, qui ont tendance à sécher, dans des sacs en plastique perforés ou non fermés.
- Sauf en cas de circonstances extrêmes dans l'environnement, si votre produit (sur le tableau des valeurs de consigne recommandées) est réglé sur les valeurs de consigne spécifiées, les aliments conservent leur fraîcheur plus longtemps, aussi bien dans le compartiment des produits frais que dans celui du congélateur.

Conservez les aliments dans les différents endroits en fonction de leurs propriétés :	
Aliment	Emplacement
Œuf	Balconnet
Produits laitiers (beurre, fromage)	Si disponible, compartiment zéro degré (pour les aliments du petit-déjeuner)
Fruits, légumes et verdure	Compartiment fruits-légumes, bac à légumes ou Compartiment EverFresh+ (si disponible)
Viande fraîche, volaille, poisson, saucisses, etc. Aliments cuits	Si disponible, compartiment zéro degré (pour les aliments du petit-déjeuner)
Aliments prêts à consommer, produits emballés, conserves, produits marinés	Étagères supérieures ou balconnet
Boissons, bouteilles, épices et snacks	Balconnet

Stockage des aliments dans le compartiment congélateur

- Vous pouvez activer la fonction de congélation rapide 4 à 6 heures avant la fonction de congélation et obtenir un refroidissement plus rapide.
- Amenez les repas chauds à la température ambiante avant de les placer dans le compartiment congélateur.
- Les aliments à congeler doivent être divisés en portions en fonction de la taille à consommer, et congelés dans des emballages séparés.
- Il est recommandé d'emballer les aliments avant de les placer dans le congélateur.
- Afin de prévenir l'expiration du temps de conservation, inscrivez la date et l'heure de congélation ainsi que le nom du produit sur l'emballage, en fonction des temps de conservation des différents aliments.
- Consommez rapidement les aliments que vous avez décongelés. Les aliments décongelés ne peuvent être recongelés que s'ils sont cuits. Il n'est pas sûr de consommer les aliments frais recongelés sans cuisson après leur décongélation.
- Lorsque vous congelez des aliments frais, ne les mettez pas en contact avec des aliments déjà congelés. Sinon, les aliments congelés seront décongelés.

Stockage des aliments vendus surgelés

- Lorsque vous conservez des aliments, respectez les durées indiquées dans ces instructions.

- Afin de préserver la qualité des aliments, veillez à ce que l'intervalle de temps entre la transaction d'achat et le stockage soit aussi court que possible.
- Achetez des aliments congelés stockés à des températures inférieures ou égales à - 18 °C.
- Évitez d'acheter des aliments dont l'emballage est recouvert de glace, etc. Cela signifie que le produit pourrait être partiellement décongelé et recongelé. La température a un impact sur la qualité des aliments.
- Conservez les aliments pendant la durée recommandée par le fabricant. Ne sortez du congélateur que les aliments dont vous avez besoin.
- Sauf en cas de circonstances extrêmes dans l'environnement, si votre produit (sur le tableau des valeurs de consigne recommandées) est réglé sur les valeurs de consigne spécifiées, les aliments conservent leur fraîcheur plus longtemps, aussi bien dans le compartiment des produits frais que dans celui du congélateur.
- Si le compartiment des aliments frais est réglé sur une température inférieure, les fruits et légumes frais peuvent être partiellement congelés.
- Les compartiments à deux étoiles conviennent aux aliments surgelés. Les glaces et les glaçons peuvent y être conservés.
- Congelez les denrées uniquement dans le compartiment 4 étoiles.

Viande et poisson		Préparation		Temps de stockage le plus long (mois)	
Produits à base de viande	Veau	Steak	En les coupant à 2 cm d'épaisseur et en les séparant par une feuille d'aluminium ou en les enveloppant hermétiquement avec du papier étirable.	6-8	
		Rôti	En emballant les morceaux de viande dans un sac réfrigérant ou en les enveloppant hermétiquement avec du papier étirable.	6-8	
		Cubes	En petites portions	6-8	
		escalopes, côtelettes	En séparant les tranches coupées par une feuille d'aluminium ou en les enveloppant individuellement avec papier étirable.	6-8	
	Mouton	Côtelettes	En séparant les morceaux de viande par une feuille d'aluminium ou en les enveloppant individuellement avec papier étirable.	4-8	
		Rôti	En emballant les morceaux de viande dans un sac réfrigérant ou en les enveloppant hermétiquement avec du papier étirable.	4-8	
		Cubes	En emballant la viande hachée dans un sac réfrigérant ou en les enveloppant hermétiquement avec du papier étirable.	4-8	
	Patte	Rôti	En emballant les morceaux de viande dans un sac réfrigérant ou en les enveloppant hermétiquement avec du papier étirable.	8-12	
		Steak	En les coupant à 2 cm d'épaisseur et en les séparant par une feuille d'aluminium ou en les enveloppant hermétiquement avec du papier étirable.	8-12	
		Cubes	En petites portions	8-12	
		Viande bouillie	En l'emballant en petites portions dans un sac réfrigérant	8-12	
	Hacher		Sans assaisonnement, dans des sachets plats		1-3
	Abats (pièce)		En pièces		1-3
	Saucisse fermentée - Salmi		Elle doit être emballée, même si elle est dans une boîte.		1-3
	Jambon		En plaçant une feuille d'aluminium entre les tranches coupées		2-3
Volaille et animaux de chasse	Poulet et dinde		En l'enveloppant dans une feuille d'aluminium	4-6	
	Oie		En les emballant dans une feuille d'aluminium (les portions ne doivent pas dépasser 2,5 kg)	4-6	
	Canard		En les emballant dans une feuille d'aluminium (les portions ne doivent pas dépasser 2,5 kg)	4-6	
	Cerf, Lapin, Chevreuil		En les emballant dans une feuille d'aluminium (les portions ne doivent pas dépasser 2,5 kg et les os doivent être séparés)	6-8	

Viande et poisson		Préparation	Temps de stockage le plus long (mois)
Poissons et fruits de mer	Poissons d'eau douce (truite, carpe, grue, poisson-chat)	Après avoir soigneusement nettoyé l'intérieur et les écailles, il faut le laver, le sécher et couper la queue et la tête si nécessaire.	2
	Poisson maigre (Bar, Turbot, Sole)		4-6
	Poissons gras (Bonito, Maquereau, Poisson bleu, Rouget, Anchois)		2-4
	Mollusques	Nettoyés et dans des sachets	4-6
	Caviar	Dans son emballage, dans un récipient en aluminium ou en plastique	2-3

« Les temps de stockage indiqués dans le tableau sont basés sur la température de stockage de - 18° C. »

Fruits et légumes	Préparation	Temps de stockage le plus long (mois)
Haricots verts et haricots grimpants	Par ébullition-choc pendant 3 minutes après avoir été lavés et coupés en petits morceaux.	10-13
Petit pois	Par ébullition-choc pendant 2 minutes après décortilage et lavage.	10-12
Choux	Par ébullition-choc pendant 1 à 2 minute(s) après le nettoyage	6-8
Carotte	Par ébullition-choc pendant 3 à 4 minutes après avoir été nettoyés et coupés en tranches.	12
Poivre	En faisant bouillir pendant 2 à 3 minutes après avoir coupé la tige, en la divisant en deux et en séparant les graines.	8-10
Épinards	Par ébullition-choc pendant 2 minutes après lavage et nettoyage	6-9
Poireaux	Par ébullition-choc pendant 5 minutes après hachage	6-8
Chou-fleur	En les faisant bouillir dans une petite quantité d'eau citronnée pendant 3 à 5 minutes après avoir séparé les feuilles et coupé le cœur en morceaux	10-12
Aubergines	Par ébullition-choc pendant 4 minutes après avoir été lavés et coupés en morceaux de 2 cm.	10-12
Courges	Par ébullition-choc pendant 2 - 3 minutes après avoir été lavés et coupés en morceaux de 2 cm.	8-10
Champignons	En les faisant légèrement sauter dans l'huile et pressant du citron dessus.	2-3
Mais	Par nettoyage et conditionnement en épi ou en granulés	12
Pomme et poire	Par ébullition-choc pendant 2 à 3 minutes après les avoir épluchées et coupées en tranches.	8-10
Abricot et pêche	Divisez de moitié et retirez les grains	4-6
Fraise et framboise	Par lavage et décortilage	8-12
Fruits cuits	En ajoutant 10 % de sucre dans le récipient	12
Prune, cerise, griotte	En lavant et en égrenant les tiges	8-12

« Les temps de stockage indiqués dans le tableau sont basés sur la température de stockage de - 18° C. »

Produits laitiers	Préparation	Temps de stockage le plus long (Mois)	Conditions de stockage
Fromage (sauf feta)	En plaçant une feuille d'aluminium entre les tranches coupées	6-8	Il est possible de le laisser dans son emballage d'origine pour un stockage à court terme. Pour un stockage à long terme, il doit également être enveloppé dans une feuille d'aluminium ou en plastique.
Beurre, margarine	Dans son propre emballage	6	Dans son propre emballage ou dans des récipients en plastique

« Les temps de stockage indiqués dans le tableau sont basés sur la température de stockage de - 18° C. »

« La quantité d'aliments frais qui peut être congelée pendant une certaine période est indiquée sur l'étiquette signalétique. »

Compartiment de congélateur Réglages	Compartiment réfrigérateur Réglages	Remarques
- 20° C	4°C	Ce réglage est celui qui est recommandé par défaut. Ce réglage est recommandé si la température ambiante est inférieure à 30° C.
- 22 ou - 24° C	4°C	Ces réglages sont recommandés pour des températures ambiantes excédant 30° C.
Congélation rapide	4°C	Est utilisée lorsque vous voulez congeler vos denrées pendant une courte période. Lorsque le processus se termine, les paramètres du produit reviennent à la position précédente.
- 18° C ou plus froid	+2° C	Utilisez ces paramètres si à votre avis le compartiment réfrigérateur n'est pas assez froid en raison de la température ambiante ou de l'ouverture fréquente de la porte.

Congélation rapide

1. Activez la fonction de congélation rapide 24 heures avant de placer vos aliments frais dans le congélateur.
2. 24 heures après avoir activé la fonction, placez d'abord les aliments que vous souhaitez congeler sur la deuxième étagère à forte capacité de congélation.
3. Une fois la fonction de congélation rapide activée, elle est automatiquement annulée après un certain temps.

Détails du congélateur

Selon les normes IEC 62552, à une température ambiante de 25° C, le congélateur doit pouvoir congeler 4,5 kg de denrées alimentaires à - 18° C ou à des températures inférieures en 24 heures pour chaque 100 litres de volume du compartiment congélateur.

Les aliments peuvent être préservés pour des périodes prolongées uniquement à des températures inférieures ou égales à - 18° C.

Vous pouvez garder les aliments frais pendant des mois (dans le congélateur à des températures inférieures ou égales à -18° C).

Les aliments à congeler ne doivent pas être en contact avec ceux déjà congelés pour éviter un dégivrage partiel.

Faites bouillir les légumes et filtrez l'eau pour prolonger la durée de conservation à l'état congelé. Placez les aliments dans des emballages sous vide après les avoir filtrés et placez-les dans le congélateur. Les bananes, les tomates, les feuilles de laitue, le céleri, les œufs durs, les pommes de terre et les aliments similaires ne doivent pas être congelés. Si ces aliments sont congelés, seules les valeurs nutritionnelles et les qualités gustatives seront affectées. Une pourriture qui mettrait en danger la santé humaine n'est pas à l'ordre du jour.

Placer les aliments

Balconnets du compartiment congélateur : Différents aliments congelés comme la viande, le poisson, la crème glacée, les légumes, etc.

Étagères du compartiment réfrigérateur : Les aliments contenus dans des casseroles, des plats couverts, des gamelles et les œufs (dans des gamelles fermées)

Balconnets de la porte du compartiment réfrigérateur : Aliments ou boissons de petite taille et emballés.

Bac à légumes : Légumes et fruits

Compartiment des aliments frais : Delicatessen (aliments pour le petit déjeuner, produits carnés à consommer dans un délai court).

7.2 Bac à légumes

Le bac à légumes du réfrigérateur est conçu pour conserver les légumes frais en préservant leur humidité. À cette fin, la circulation générale d'air froid est intensifiée dans le bac à légumes. Conservez les fruits et les légumes dans ce compartiment. Conservez séparément les légumes verts et les fruits pour prolonger leur durée de vie.

7.3 bac à légumes avec contrôle d'humidité

Grâce à la fonction de bac à légumes à humidité contrôlée, l'humidité des légumes et des fruits est maîtrisée et les aliments restent frais plus longtemps.

Nous vous recommandons de placer les légumes à feuilles tels que la laitue, les épinards et les légumes similaires qui sont sensibles à la perte d'humidité dans le bac à légumes, non pas à la verticale sur leurs racines, mais le plus horizontalement possible.

Lorsque vous placez les légumes, placez les légumes lourds et durs en bas et les légumes légers et tendres en haut, en tenant compte du poids spécifique des légumes. Ne laissez jamais de légumes dans des sacs en plastique dans le bac à légumes.

En les laissant dans des sacs en plastique, les légumes pourrissent en peu de temps.

Dans les situations où le contact avec d'autres légumes n'est pas privilégié, utilisez des matériaux d'emballage tels que le papier qui présente un certain niveau de porosité en termes d'hygiène.

Il ne faut pas mettre les fruits qui ont une forte production de gaz d'éthylène comme la poire, l'abricot, la pêche et surtout la pomme dans le même bac à légumes avec d'autres fruits et légumes. Le gaz d'éthylène qui sort de ces fruits pourrait faire mûrir plus rapidement d'autres légumes et fruits et les faire pourrir dans un laps de temps plus court.

7.4 Zone d'entreposage frais des produits laitiers

Tiroir de stockage du froid

Le tiroir de stockage du froid peut atteindre des températures plus basses dans le compartiment réfrigérant. Utilisez ce tiroir pour les produits de charcuterie (salami, saucisse, etc.) et les produits laitiers qui nécessitent des conditions de stockage plus

froides, ou pour la viande, le poulet ou le poisson à consommer rapidement. Il n'est pas possible de stocker des fruits et des légumes dans ce tiroir.

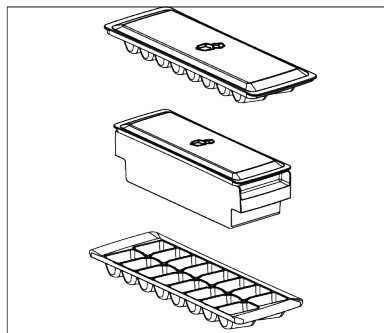
7.5 La zone de stockage de la glace

Récipient à glace

Le seau à glace vous permet de prendre facilement de la glace dans le réfrigérateur.

Utilisation du seau à glace

1. Sortez le seau à glace du compartiment congélateur.
2. Remplissez le seau à glace avec de l'eau.
3. Placez le seau à glace dans le compartiment du congélateur. Les glaçons seront prêts après environ deux heures.
4. Sortez le seau à glace du compartiment congélateur et penchez-vous légèrement sur le support que vous allez servir. La glace se verse facilement dans le récipient de service.



7.6 Inversion du côté d'ouverture de la porte

Le côté d'ouverture de la porte de votre réfrigérateur peut être inversé en fonction de l'endroit où vous le placez. En cas de besoin, vous devez absolument appeler le service agréé le plus proche.

7.7 Alerte de porte ouverte

Le système d'alerte d'ouverture de porte de votre réfrigérateur peut varier selon le modèle.

Version 1;

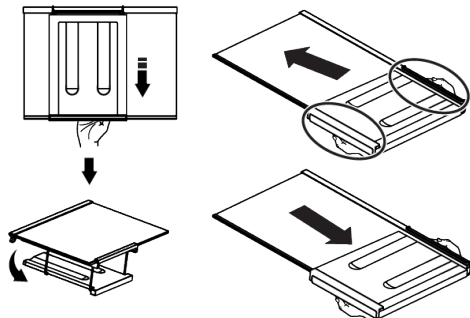
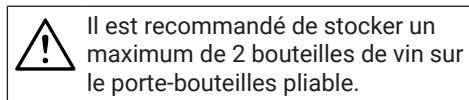
Si la porte du produit reste ouverte pendant un certain temps (entre 60 s et 120 s), un signal d'avertissement sonore retentit ; selon le modèle de produit, un signal d'avertissement visuel (flash lumineux) peut également être affiché. Si vous fermez la porte de l'appareil ou appuyez sur une touche de l'écran de l'appareil, le signal d'avertissement sonore s'arrête.

Version 2;

Si la porte de l'appareil reste ouverte pendant un certain temps (entre 60 s et 120 s), l'alarme d'ouverture de porte retentit. L'alarme d'ouverture de porte retentit progressivement. Un signal d'avertissement sonore retentit d'abord. Si la porte n'est toujours pas fermée après 4 minutes, un avertissement visuel (lumière clignotante) est activé. L'alarme d'ouverture de porte est retardée pendant un certain temps (entre 60 s et 120 s) si l'on appuie sur n'importe quelle touche de l'écran du produit (le cas échéant). Le processus recommence alors. Lorsque la porte de l'appareil est fermée, l'alarme d'ouverture de porte est annulée.

7.8 Porte-bouteille pliable

Il permet à l'utilisateur de stocker des bouteilles de vin si nécessaire. Pour utiliser la section de la crémaillère, saisissez la partie en plastique et tirez-la doucement vers le bas. Vous pouvez maintenant utiliser le porte-bouteilles pliable.



Pour regrouper le porte-bouteille, retirez premièrement la tablette en verre du réfrigérateur. Placez-le sur l'étagère en verre en poussant la partie en plastique dans les rainures avant et arrière, comme indiqué sur la photo. Le produit sera prêt à être utilisé avec le porte-vin pliable.

Pour retirer le porte-bouteilles pliable, premièrement, retirez la tablette en verre du réfrigérateur. Saisissez ensuite la partie en plastique et tirez-la dans n'importe quelle direction. Vous pouvez maintenant utiliser l'appareil sans porte-bouteilles pliable si nécessaire.

7.9 Remplacement de la lampe d'éclairage

Appelez le service autorisé lorsque l'ampoule/LED utilisée pour l'éclairage de votre réfrigérateur doit être remplacée.

La ou les lampes utilisées dans cet appareil ne peuvent pas être utilisées pour l'éclairage de la maison. L'objectif de cette lampe est d'aider l'utilisateur à placer les aliments dans le réfrigérateur/congérateur de manière sûre et confortable.

8 Entretien et nettoyage

Lisez d'abord les « Consignes de sécurité » !

Avant de nettoyer votre appareil, débranchez-le ou mettez hors tension le fusible auquel il est raccordé.

Ne placez pas vos mains, vos pieds ou des objets métalliques sous le réfrigérateur ou entre le réfrigérateur et le sol, pour quelque raison que ce soit. Il peut se coincer ou des bords tranchants peuvent provoquer des blessures.

- N'utilisez pas des objets pointus ou des produits de nettoyage abrasifs pour nettoyer l'appareil. Il ne faut pas utiliser de matériaux tels que des produits d'entretien ménager, du savon, des détergents, du gaz, de l'essence, un diluant, de l'alcool, de la cire, etc.

7.10 Ventilateur

Le ventilateur est conçu pour que l'air froid soit distribué et circule de manière homogène dans celui-ci. La durée de fonctionnement du ventilateur peut varier en fonction des caractéristiques du produit.

Alors que, dans certains produits, le ventilateur ne fonctionne qu'avec le compresseur, dans d'autres produits, le système de contrôle détermine le temps de fonctionnement du ventilateur en fonction du besoin de refroidissement.

7.11 Porte-œuf

Vous pouvez placer le porte-œuf sur la porte ou l'étagère du corps que vous souhaitez.

Si le porte-œufs doit être placé sur l'étagère du corps, nous vous recommandons de choisir des étagères inférieures plus froides.

- Ne placez jamais le porte-œuf sur le compartiment congélateur..

- La poussière doit être enlevée de la grille de ventilation située à l'arrière du produit au moins une fois par an (sans ouvrir le couvercle). Nettoyez l'appareil avec un chiffon humide.
- Veillez à ce que l'eau n'entre pas en contact avec le couvercle de la lampe et les autres pièces électriques.
- Nettoyez la porte avec un chiffon humide. Retirez tout le contenu pour enlever la porte et les supports de carrosserie. Retirez les supports de porte en les soulevant vers le haut. Nettoyez et séchez les étagères, puis refixez-les en les faisant glisser à partir du haut.
- N'utilisez pas d'eau chlorée ou de produits de nettoyage sur la surface extérieure et les pièces chromées de l'appareil. Le chlore entraîne la corrosion de ce type de surfaces métalliques.

- Il ne faut pas utiliser d'outils tranchants et abrasifs, de savon, de produits d'entretien ménager, de détergents, de gaz, d'essence, de vernis et de substances similaires pour empêcher la déformation de la pièce en plastique et l'élimination des empreintes sur la pièce. Utilisez de l'eau chaude et un chiffon doux pour le nettoyage, puis séchez-le.
- Sur les produits sans fonction antigel, des gouttes d'eau et du givre jusqu'à l'épaisseur d'un doigt peuvent apparaître sur la paroi arrière du compartiment congélateur. Ne nettoyez pas et n'appliquez jamais d'huiles ou de produits similaires.
- Utilisez un chiffon en microfibres légèrement humidifié pour nettoyer la surface extérieure du produit. Les éponges et autres types de vêtements de nettoyage peuvent provoquer des éraflures.
- Afin de nettoyer tous les composants amovibles pendant le nettoyage de la surface intérieure du produit, il faut laver ces composants avec une solution douce composée de savon, d'eau et de carbonate. Lavez et séchez soigneusement. Évitez le contact de l'eau avec les composants d'éclairage et le panneau de contrôle.
- N'utilisez pas de vinaigre, d'alcool à friction ni de produits nettoyants à base d'alcool sur les surfaces intérieures.

9 Dépannage

Lisez d'abord les « Consignes de sécurité » !

Vérifiez la liste suivante avant de contacter le service après-vente. Cela devrait vous éviter de perdre du temps et de l'argent. Cette liste répertorie les plaintes fréquentes ne provenant pas de vices de fabrication ou des défauts de pièces. Certaines fonctionnalités mentionnées dans ce manuel peuvent ne pas exister sur votre modèle.

Surfaces extérieures en acier inoxydable

Utilisez un produit de nettoyage non abrasif pour l'acier inoxydable et appliquez-le avec un chiffon doux non pelucheux. Pour polir, essuyez doucement la surface avec un chiffon en microfibres humidifié à l'eau et utilisez une peau de chamois sèche. Suivez toujours les veines de l'acier inoxydable.

Prévention des odeurs

À sa sortie d'usine, cet appareil ne contient aucun matériau odorant. Toutefois, le stockage inapproprié des aliments et le nettoyage incorrect des surfaces internes peuvent être à l'origine d'odeurs.

- Pour éviter cela, nettoyez l'intérieur à l'aide de carbonate dissout dans l'eau tous les 15 jours.
- Conservez les aliments dans des récipients scellés, car les micro-organismes provenant des aliments conservés dans des récipients non scellés provoquent une mauvaise odeur.
- Ne conservez pas d'aliments périmés ou avariés dans le réfrigérateur.

Protection des surfaces en plastique

Si de l'huile se répand sur les surfaces en plastique, il faut immédiatement les nettoyer avec de l'eau tiède, sinon elles seront endommagées.

Si le problème persiste même après observation des instructions contenues dans cette partie, contactez votre fournisseur ou un service de maintenance agréé. N'essayez pas de réparer vous-même l'appareil.

Le réfrigérateur ne fonctionne pas.

- La fiche électrique n'est pas correctement insérée. >>> Branchez-la en l'enfonçant complètement dans la prise.
- Le fusible branché à la prise qui alimente l'appareil ou le fusible principal est grillé. >>> Vérifiez les fusibles.

Condensation sur la paroi latérale du congélateur (MULTI ZONE, COOL, CONTROL et FLEXI ZONE).

- La porte a été ouverte trop fréquemment >>> Évitez d'ouvrir trop fréquemment la porte de l'appareil.
- L'environnement est trop humide. >>> N'installez pas l'appareil dans des endroits humides.
- Les aliments contenant des liquides sont conservés dans des récipients non fermés. >>> Conservez ces aliments dans des emballages scellés.
- La porte de l'appareil est restée ouverte. >>> Ne laissez pas la porte de l'appareil ouverte longtemps.
- Le thermostat est réglé sur une température très froide. >>> Réglez le thermostat à la température appropriée.

Le compresseur ne fonctionne pas.

- En cas de coupure soudaine de courant ou de débranchement intempestif, la pression du gaz dans le système de réfrigération de l'appareil n'est pas équilibrée, ce qui déclenche la fonction de conservation thermique du compresseur. L'appareil se remet en marche au bout de 6 minutes environ. Dans le cas contraire, veuillez contacter le service de maintenance.
- Le dégivrage est actif. >>> Ce processus est normal pour un appareil à dégivrage complètement automatique. Le dégivrage se déclenche périodiquement.
- L'appareil n'est pas branché. >>> Vérifiez que le cordon d'alimentation est branché.
- Le réglage de la température est incorrect. >>> Sélectionnez le réglage de température approprié.
- Absence d'énergie électrique. >>> L'appareil continuera à fonctionner normalement une fois le courant rétabli.

Le bruit du réfrigérateur en fonctionnement s'accroît pendant son utilisation.

- Le rendement de l'appareil en fonctionnement peut varier en fonction des fluctuations de la température ambiante. Ceci est normal et ne constitue pas un dysfonctionnement.

Le réfrigérateur fonctionne fréquemment ou pendant de longues périodes.

- Il se peut que le nouvel appareil soit plus grand que l'ancien. Les appareils plus grands fonctionnent plus longtemps.
- La température de la pièce est peut-être trop élevée. >>> Il est normal que l'appareil fonctionne plus longtemps quand la température de la pièce est élevée.
- L'appareil vient peut-être d'être branché ou chargé de nouvelles denrées alimentaires. >>> L'appareil met plus longtemps à atteindre la température réglée s'il vient d'être branché ou récemment rempli de denrées. C'est normal.
- Il est possible que des quantités importantes d'aliments chauds aient été récemment placés dans l'appareil. >>> Ne mettez pas d'aliments chauds à l'intérieur de l'appareil.
- Les portes étaient ouvertes fréquemment ou sont restées longtemps ouvertes. >>> L'air chaud qui se déplace à l'intérieur permet à l'appareil de fonctionner plus longtemps. N'ouvrez pas les portes trop fréquemment.
- Il est possible que la porte du congélateur soit entrouverte. >>> Vérifiez que les portes sont complètement fermées.
- L'appareil peut être réglé à une température trop basse. >>> Réglez la température à un degré supérieur et attendez que l'appareil atteigne la nouvelle température.
- Le joint de la porte du congélateur peut être sale, usé, cassé, ou mal positionné. >>> Nettoyez ou remplacez le joint d'étanchéité. Si le joint du congélateur est endommagé ou arraché, l'appareil prendra plus longtemps à conserver la température actuelle.

La température du congélateur est très basse, alors que celle du réfrigérateur est appropriée.

- La température du compartiment congélateur est très basse. >>> Réglez la température du compartiment congélateur à un degré supérieur et vérifiez à nouveau.

La température du réfrigérateur est très basse, alors que celle du congélateur est appropriée.

- La température du compartiment réfrigérateur est très basse. >>> Réglez la température du compartiment de refroidissement à un degré supérieur et vérifiez à nouveau.

Les aliments conservés dans le compartiment réfrigérateur sont congelés.

- La température du compartiment réfrigérateur est très basse. >>> Réglez la température du compartiment de refroidissement à un degré supérieur et vérifiez à nouveau.

La température du compartiment réfrigérateur ou congélateur est très élevée.

- La température du compartiment réfrigérateur est réglée à un degré très élevé. >>> Le réglage de la température du compartiment réfrigérateur a une incidence sur la température du compartiment congélateur. Attendez jusqu'à ce que la température des pièces correspondantes atteigne le niveau d'efficacité requis en changeant la température des compartiments réfrigérateur ou congélateur.
- Les portes étaient ouvertes fréquemment ou sont restées longtemps ouvertes. >>> N'ouvrez pas les portes trop fréquemment.
- La porte peut être entrouverte. >>> Fermez complètement la porte.
- L'appareil vient peut-être d'être branché ou chargé de nouvelles denrées alimentaires. >>> Cela est normal. L'appareil met plus longtemps à atteindre la température réglée s'il vient d'être branché ou récemment rempli de denrées.

- Il est possible que des quantités importantes d'aliments chauds aient été récemment placés dans l'appareil. >>> Ne mettez pas d'aliments chauds à l'intérieur de l'appareil.

En cas de vibrations ou de bruits.

- La surface n'est pas plate ou durable >>> Si l'appareil balance lorsqu'il est déplacé doucement, ajustez les supports afin de le remettre en équilibre. Assurez-vous également que le sol est assez solide pour supporter l'appareil.
- Les éléments placés sur l'appareil peuvent être à l'origine du bruit. >>> Retirez tous les éléments placés sur l'appareil.
- L'appareil émet un bruit d'écoulement de liquide ou de pulvérisation, etc.
- Les principes de fonctionnement de l'appareil impliquent des écoulements de liquides et des émissions de gaz. >>> Ceci est normal et ne constitue pas un dysfonctionnement.

L'appareil émet un sifflement.

- L'appareil effectue le refroidissement à l'aide d'un ventilateur. Ceci est normal et ne constitue pas un dysfonctionnement.

Il y a de la condensation sur les parois internes de l'appareil.

- Un climat chaud ou humide accélère le processus de givrage et de condensation. Ceci est normal et ne constitue pas un dysfonctionnement.
- Les portes étaient ouvertes fréquemment ou sont restées longtemps ouvertes. >>> N'ouvrez pas les portes trop fréquemment ; fermez-les lorsqu'elles sont ouvertes.
- La porte peut être entrouverte. >>> Fermez complètement la porte.

Il y a de la condensation sur les parois externes ou entre les portes de l'appareil.

- Il se peut que le climat ambiant soit humide, auquel cas cela est normal. >>> La condensation se dissipera lorsque l'humidité sera réduite.

Présence d'une odeur désagréable dans l'appareil.

- L'appareil n'est pas nettoyé régulièrement. >>> Nettoyez régulièrement l'intérieur à l'aide d'une éponge, de l'eau tiède et du carbonate dissout dans l'eau.
- Certains récipients et matériaux d'emballage sont peut-être à l'origine des mauvaises odeurs. >>> Utilisez des récipients et des emballages exempts de toute odeur.
- Les aliments étaient placés dans des récipients ouverts. >>> Conservez les aliments dans des récipients fermés. Les micro-organismes peuvent se propager à partir de produits alimentaires non scellés et provoquer une mauvaise odeur.
- Retirez tous les aliments périmés ou avariés de l'appareil.

La porte ne se ferme pas.

- Les paquets d'aliments peuvent bloquer la porte. >>> Déplacez tout ce qui bloque les portes.
- L'appareil ne se tient pas parfaitement droit sur le sol. >>> Ajustez les supports afin de remettre l'appareil en équilibre.

- La surface n'est pas plane ou durable >>> Assurez-vous que la surface est plane et suffisamment durable pour supporter le produit.

Le bac à légumes est bloqué.

- Il est possible que les aliments soient en contact avec la section supérieure du bac. >>> Reclassez les aliments dans le bac.

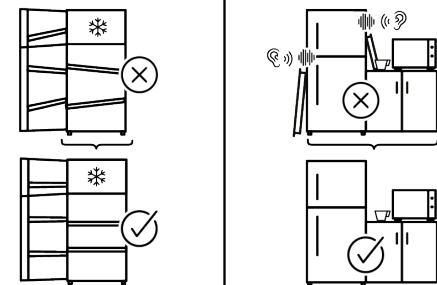
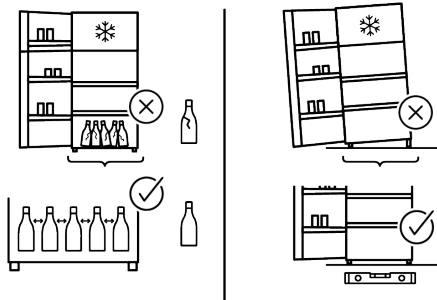
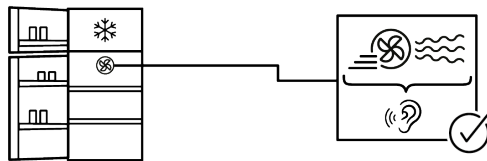
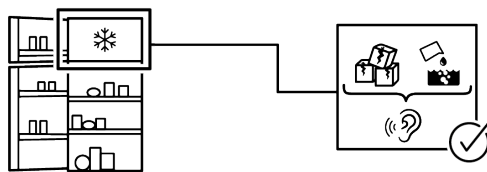
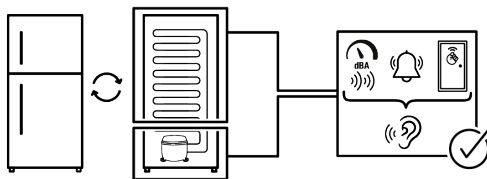
Température à la surface de l'appareil.

- Une température élevée peut être observée entre deux portes, sur les panneaux latéraux et sur la zone du gril arrière lorsque votre appareil est utilisé. C'est normal et cela ne nécessite pas d'entretien.

Le ventilateur continue de fonctionner lorsque la porte est ouverte.

- Le ventilateur peut continuer à fonctionner lorsque la porte du congélateur est ouverte.

Si le problème persiste même après observation des instructions contenues dans cette partie, contactez votre fournisseur ou un service de maintenance agréé. N'essayez pas de réparer vous-même l'appareil. C'est normal.



CLAUSE DE NON-RESPONSABILITÉ

Certaines défaillances (simples) peuvent être traitées de manière adéquate par l'utilisateur final sans qu'aucun problème de sécurité ou d'utilisation dangereuse ne survienne, à condition qu'elles soient effectuées dans les limites et conformément aux instructions suivantes (voir la section « Auto-réparation »).

Par conséquent, sauf autorisation contraire dans la section « Auto-réparation » ci-dessous, adressez-vous à des réparateurs professionnels agréés pour toutes réparations afin d'éviter des problèmes de sécurité. Un réparateur professionnel agréé est une personne à qui le fabricant a donné accès aux instructions et à la liste des pièces détachées de ce produit selon les méthodes décrites dans les actes législatifs en application de la directive 2009/125/CE

Toutefois, seul l'agent de service (c'est-à-dire les réparateurs professionnels agréés) que vous pouvez joindre au numéro de téléphone indiqué dans le manuel d'utilisation/la carte de garantie ou par l'intermédiaire de votre fournisseur agréé peut fournir un service conformément aux conditions de garantie. Par conséquent, veuillez noter que les réparations effectuées par des réparateurs professionnels (qui ne sont pas autorisés par) Whirlpool Marka annulent la garantie.

Auto-réparation

L'auto-réparation peut être effectuée par l'utilisateur final en ce qui concerne les pièces de rechange suivantes : poignées de porte, charnières de porte, plateaux, paniers et joints de porte (une liste mise à jour est également disponible sur <https://parts-selfservice.europeanappliances.com> à partir du 1er mars 2021).

En outre, pour garantir la sécurité du produit et éviter tout risque de blessure grave, ladite auto-réparation doit être effectuée en suivant les instructions du manuel d'utilisation pour l'auto-réparation ou celles disponibles sur <https://parts-selfservice.euro>

[europeanappliances.com](https://parts-selfservice.europeanappliances.com) . Pour votre sécurité, débranchez le produit avant de procéder à toute auto-réparation.

Les réparations et tentatives de réparation par les utilisateurs finaux pour des pièces ne figurant pas dans cette liste et/ou ne suivant pas les instructions des manuels d'utilisation pour l'auto-réparation ou celles disponibles sur <https://parts-selfservice.europeanappliances.com>, pourraient donner lieu à des problèmes de sécurité non imputables à Whirlpool, et annuleront la garantie du produit.

Il est donc fortement recommandé aux utilisateurs finaux de s'abstenir de tenter d'effectuer des réparations ne figurant pas sur la liste des pièces de rechange mentionnée, mais de contacter dans de tels cas des réparateurs professionnels autorisés ou des réparateurs professionnels agréés. Au contraire, de telles tentatives de la part des utilisateurs finaux peuvent causer des problèmes de sécurité et endommager le produit et, par la suite, provoquer un incendie, une inondation, une électrocution et des blessures corporelles graves.

À titre d'exemple, mais sans s'y limiter, vous devez vous adresser à des réparateurs professionnels autorisés ou à des réparateurs professionnels agréés pour les réparations suivantes : compresseur, circuit de refroidissement, carte mère, carte d'inverseur, panneau d'affichage, etc.

Le fabricant/vendeur ne peut être tenu responsable dans tous les cas où les utilisateurs finaux ne se conforment pas à ce qui précède.

La disponibilité des pièces de rechange du réfrigérateur que vous avez acheté est de 10 ans. Pendant cette période, les pièces de rechange d'origine seront disponibles pour faire fonctionner le réfrigérateur correctement.

La durée minimale de garantie du réfrigérateur que vous avez acheté est de 24 mois.

Cet appareil est équipé d'une source d'éclairage de classe énergétique « G ».
La source d'éclairage de cet appareil ne doit être remplacée que par des réparateurs professionnels.

يرجى قراءة دليل المستخدم هذا أولاً.

عملينا العزيز،

نشكرك على اختيارك هذا المنتج .

يرجى تسجيل منتجك على www.register10.eu

تتمنى أن تصل إلى الكفاءة المثلى من هذا المنتج عالي الجودة الذي تم تصنيعه بأحدث التقنيات. للقيام بذلك ، اقرأ هذا الدليل بعناية وأية وثائق أخرى مقدمة قبل استخدام المنتج.

انتبه إلى جميع المعلومات والتحذيرات الموجودة في دليل المستخدم. بهذه الطريقة ، ستحمي نفسك ومنتجك من الأخطار التي قد تحدث. احتفظ بدليل المستخدم. قم بتضمين هذا الدليل مع المنتج إذا قمت بتسليمه إلى شخص آخر.

يتم استخدام الرموز التالية في دليل المستخدم وعلى المنتج:

اقرأ دليل المستخدم.



يمكن الوصول إلى معلومات الموديل المخزنة في قاعدة بيانات المنتج بزيارة الموقع التالي والبحث عن معرف الموديل (*) المطبوع على ملصق الطاقة.

[/https://eprel.ec.europa.eu](https://eprel.ec.europa.eu)



ENERGY



SUPPLIER'S NAME

MODEL IDENTIFIER → (*)

A

A



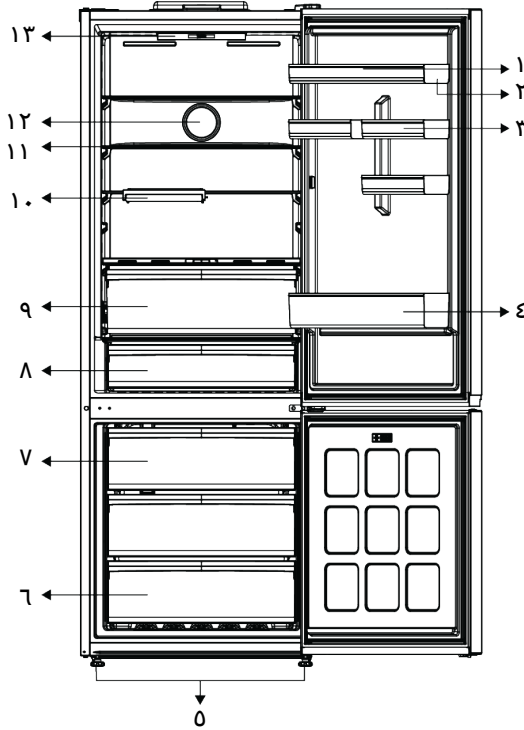
50	التعليمات البيئية	١
50	التخلص من مواد التعبئة والتغليف.....	١-١
50	ثلاجتك	٢
51	التركيب	٣
51	المكان المناسب للتركيب.....	١-٣
51	ضبط أقدام المنتج.....	٢-٣
51	تحذير سطح ساخن	٣-٣
51	إزالة الستايروفوم الموجود على الضاغط	٤-٣
51	الإعداد	٤
52	إجراءات توفير الطاقة	١-٤
52	الاستخدام لأول مرة	٢-٤
52	فئة المناخ والتعاريف.....	٣-٤
53	تشغيل المنتج	٥
53	لوحة التحكم في منتجك	٦
55	استخدام جهاز.....	٧
55	تخزين الطعام في حجرة المبرد	١-٧
59	رف الخضروات.....	٢-٧
59	درج التحكم في الرطوبة.....	٣-٧
60	منطقة التخزين البارد لمنتجات الألبان	٤-٧
60	منطقة تخزين الثلج	٥-٧
60	عكس جانب فتح الباب	٦-٧
60	تحذير فتح الباب	٧-٧
60	حامل المشروبات القابل للطي.....	٨-٧
61	استبدال مصباح الإضاءة	٩-٧
61	المروحة	١٠-٧
61	حامل البيض	١١-٧
61	الصيانة والتنظيف	٨
62	استكشاف الأخطاء وإصلاحها	٩

١ التعليمات البيئية

لذلك يجب التخلص من الأجزاء المختلفة من مواد التغليف بشكل مسؤول، والامتثال الكامل للوائح السلطة المحلية التي تحدد كيفية التخلص من النفايات.

١-١ التخلص من مواد التعبئة والتغليف
مواد التغليف قابلة لإعادة التدوير بنسبة و يوجد عليها رمز إعادة التدوير.

٢ تلاجتك



- ٢ أرفف الباب القابلة للتعديل
- ٤ رف زجاجات
- ٦ مقصورة المجمد
- ٨ درج التخزين البارد
- ١٠ * رف قابل للطي
- ١٢ المروحة

- ١ حامل البيض
- ٣ * رف باب صغير
- ٥ القواعد القابلة للتعديل
- ٧ حاوية صندوق الثلج
- ٩ رف الخضروات
- ١١ رف قابل للتعديل
- ١٣ الإنارة

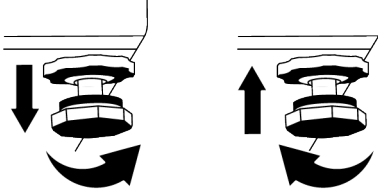
***اختياري:** إن الأشكال المذكورة في دليل المستخدم هذا هي تخطيطه وقد لا تتطابق مع جهازك تماما. إذا كان جهازك لا يشتمل على الأجزاء ذات الصلة، فإن المعلومات تعود لموديلات أخرى.

٣ التركيب

اقرأ "تعليمات الأمان" أولاً!

٢-٣ ضبط أقدم المنتج

إن لم يكن الجهاز في وضع متوازن، اضبط الأقدام الأمامية القابلة للتعديل بإدارتها إلى اليمين أو اليسار.

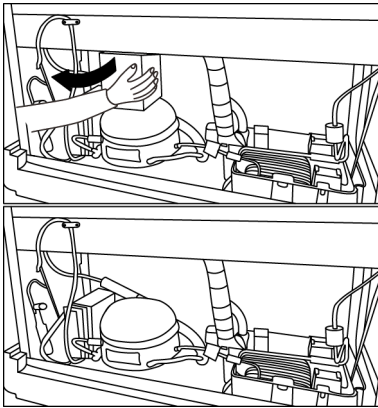


٣-٣ تحذير سطح ساخن

تم تجهيز الجدران الجانبية لمتحك بأنايب تبريد لتعزيز نظام التبريد. قد يتدفق السائل ذو الضغط المرتفع عبر هذه الأسطح، وبسبب سخونة للأسطح على الجدران الجانبية. هذا أمر طبيعي ولا يتطلب صيانة.

٤-٣ إزالة الستايروفوم الموجود على الضاغط

يتم وضع الستايروفوم على الضاغط أثناء الإنتاج لزيادة متانة نقل المنتج. يجب إزالة هذا الستايروفوم أثناء تركيب المنتج.



١-٣ المكان المناسب للتركيب

اتصل بخدمة الصيانة المعتمدة من أجل تركيب الجهاز. لإعداد الجهاز للتركيب، انظر المعلومات في دليل المستخدم وتأكد أن منافع الكهرباء والماء كما هو مطلوب. إذا لم يكن الأمر كذلك، فاتصل بفني كهربائي وسباك مؤهل لترتيب المرافق حسب الضرورة.

- ضع الجهاز على سطح منبسط لتجنب الاهتزاز
- ضع الجهاز على بعد 30 سم على الأقل من المدفأة والموقد مصادر الحرارة الأخرى و50 سم على الأقل من الأفران الكهربائية.
- عند وضع مبردين في موضع مجاور، اترك مسافة 4 سم على الأقل بين الوحدين.
- احفظ المنتج بعيداً عن أشعة الشمس المباشرة وفي مكان جاف.
- يتطلب المنتج الخاص بك توزيع الهواء بصورة كافية حتى يعمل بكفاءة. إذا كنت ستضع الجهاز في تجويف بالجدار، فتذكر ترك خلوص لا يقل عن 5 سم بين الجهاز وكل من السقف والجدار الخلفي والجدران الجانبية.
- تأكد أن مكوّن الحماية الخاص بالخلوص بين الجهاز والجدار الخلفي موجود في مكانه (إذا كان مزوداً مع المنتج).
- في حالة عدم توفر المكون المشار إليه أعلاه، أو في حالة فقدانه أو سقوطه، ضع الجهاز مع ترك خلوص لا يقل عن 5 سم بين السطح الخلفي للجهاز وجدار الغرفة. الخلوص في خلفية الجهاز مهم لتشغيل الجهاز بكفاءة.

٤ الإعداد

اقرأ "تعليمات الأمان" أولاً!

١-٤ إجراءات توفير الطاقة

- جهاز التبريد هذا غير مخصص للاستخدام كجهاز مدمج؛
- عند وضع الطعام، اترك مساحة كافية داخل الثلاجة للسماح بدوران الهواء الكافي للتبريد.
- نظراً لأن الهواء الساخن والرطب لن يتغلغل بشكل مباشر في منتجك عند عدم فتح الأبواب، فإن منتجك سيحسن نفسه في ظروف كافية لحماية طعامك. في ظل هذه الظروف، ستعمل الوظائف والمكونات مثل الضاغط، والمروحة، والسخان، وخاصة إزالة الصقيع، والإضاءة، والشاشة، وما إلى ذلك، وفقاً للاحتياجات من خلال استهلاك الحد الأدنى من الطاقة.
- في حالة وجود خيارات متعددة، يجب وضع أرفف زجاجية بحيث لا يتم سد منافذ الهواء الموجودة في الجدار الخلفي، ويفضل بحيث تبقى منافذ الهواء أسفل الرف الزجاجي. قد يساعد هذا المزيج في تحسين توزيع الهواء وكفاءة الطاقة.
- يوصى بشدة باستخدام الدرج السفلي عند التخزين.
- للحصول على الأداء الأمثل، يمكن استخدام التجميد السريع (إذا كان متاحاً)، قبل 24 ساعة من وضع الأطعمة الطازجة في الفريزر.
- في معظم الحالات، تكون 24 ساعة كافية لوظيفة التجميد السريع بعد وضع الأطعمة الطازجة في الفريزر. بعد مرور بعض الوقت، سيتم إلغاء تنشيط وظيفة التجميد السريع تلقائياً.
- عند تجميد كمية صغيرة من الطعام، يمكن إلغاء تنشيط وظيفة التجميد السريع بعد مرور بعض الوقت لضمان توفير الطاقة.
- بناء على سمات المنتج؛ تضمن إذابة الأطعمة المجمدة في حجرة المبرد توفير الطاقة والمحافظة على جودة الطعام.
- من أجل تحميل الحد الأقصى من الأطعمة في مبرد الثلاجة، يجب إخراج الأدرج العلوية ووضع الطعام في الأرفف الزجاجية/السلكية.
- يجب تخزين الطعام باستخدام الأدرج في حجرة المبرد لضمان توفير الطاقة وحماية الطعام في ظروف أفضل.
- يجب ألا تكون عبوات الطعام على تلامس مباشر بمستشعر درجة الحرارة الموجود في مقصورة المجمد.

٢-٤ الاستخدام لأول مرة

- قبل استخدام منتجك، تأكد من إجراء الإعدادات الضرورية انسجاماً مع التعليمات المذكورة في أقسام "تعليمات السلامة" و"التركيب".
- انتظر لمدة ساعتين على الأقل قبل تشغيل المنتج، لضمان كفاءة التبريد الكاملة.
- يجب أن يظل المنتج قيد التشغيل دون وضع أي طعام بداخله لمدة 6 ساعات ويجب إبقاء باب المنتج مغلقاً قدر الإمكان.
- قد يؤدي تغيير درجة الحرارة الناجم عن فتح وإغلاق الباب أثناء استخدام المنتج عادةً إلى تشكل تكاثف على أرفف الباب / الهيكل والأواني الزجاجية الموضوعة في المنتج.
- يمكن سماع صوت عندما يعمل الضاغط. من الطبيعي أن يُصدر المنتج ضوضاء حتى في حالة عدم تشغيل الضاغط، حيث قد يتم ضغط السوائل والغاز في نظام التبريد.
- ومن الطبيعي أن تكون الحواف الأمامية للمنتج ساخنة. صُممت هذه الأجزاء لرفع درجة الحرارة لمنع التكاثف
- في بعض الطرازات، تتوقف لوحة المؤشر عن العمل تلقائياً بعد مرور 1 دقائق على غلق الباب. ستم إعادة تنشيطها مرة أخرى عند فتح الباب أو عند الضغط على أي زر.

٣-٤ فئة المناخ والتعاريف

- يرجى الرجوع إلى فئة المناخ على لوحة التصنيف الخاصة بجهازك. تنطبق إحدى المعلومات التالية على جهازك وفقاً لفئة المناخ.
- SN: المناخ المعتدل على المدى الطويل: تم تصميم جهاز هذا للاستخدام في درجات حرارة محيطية تتراوح بين 10 درجة مئوية و 32 درجة مئوية.
- N: المناخ المعتدل: تم تصميم جهاز هذا للاستخدام في درجات حرارة محيطية تتراوح بين 16 درجة مئوية و 32 درجة مئوية.
- ST: المناخ شبه الاستوائي: تم تصميم جهاز هذا للاستخدام في درجات حرارة محيطية تتراوح بين 16 درجة مئوية و 38 درجة مئوية.

- T: المناخ الاستوائي: تم تصميم جهاز الجهاز هذا للاستخدام في درجات حرارة محيطية تتراوح بين 16 درجة مئوية و 43 درجة مئوية.

5 تشغيل المنتج AR

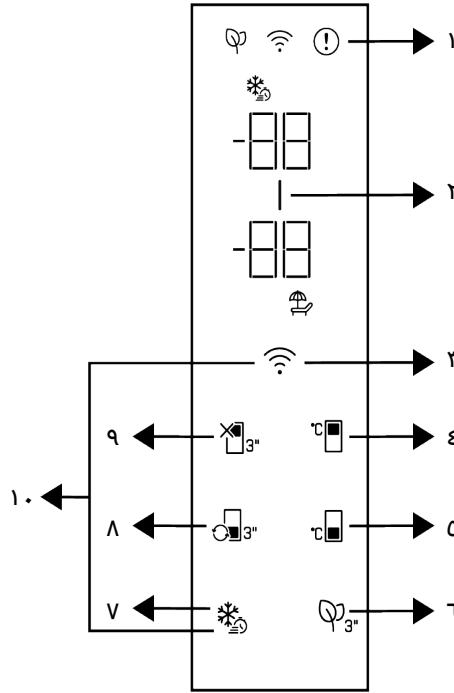
فصل قابس المنتج عن الكهرباء

- قم بإزالة الطعام لمنع الروائح،
- انتظر حتى يذوب الثلج، و قم بتنظيف الجزء الداخلي واتركه يجف، واترك الأبواب مفتوحة لتجنب إتلاف البلاستيك الداخلي للجسم.

اقرأ "تعليمات الأمان" أولاً!

- يجب استخدام المنتج لتخزين المواد الغذائية فقط.
- أغلق صمام المياه إذا كنت ستبقى بعيداً عن المنزل (على سبيل المثال في إجازة) ولن تستخدم صانعة الثلج أو موزع المياه لفترة طويلة من الوقت. خلاف ذلك ، قد يحدث تسرب للمياه.

٦ لوحة التحكم في منتجك



- | | |
|--|--|
| ١ * مؤشر حالة الخطأ | ٢ * مؤشر توفير الطاقة (إيقاف الشاشة) |
| ٣ * مفتاح لاسلكي | ٤ * مفتاح ضبط درجة حرارة مقصورة المبرد |
| ٥ * مفتاح ضبط درجة حرارة مقصورة المُجمد | ٦ * مفتاح وحدة مزيل الروائح |
| ٧ * مفتاح التجميد السريع | ٨ * مفتاح تحويل الحجره |
| ٩ * مفتاح وظيفة إيقاف تشغيل مقصورة المبرد (وضع العطله) | ١٠ * مفتاح لإعادة ضبط إعدادات الاتصال اللاسلكي |

اقرأ "تعليمات الأمان" أولاً!

ستساعدك الوظائف الصوتية والبصرية للوحة المؤشرات عند استخدام المنتج.

*اختياري: إن الوظائف المعروضة اختيارية، فقد توجد اختلافات في الشكل والموقع في الوظائف الموجودة على لوحة مؤشر جهازك.

1. مؤشر حالة العطل!

يجب أن تكون هذه المؤشرات نشطة عندما لا تتمكن ثلاثتك من إجراء التبريد الكافي أو في حالة وجود أي خطأ في المستشعر. سيتم عرض "E" على مؤشر درجة حرارة مقصورة المجمد والأرقام مثل 1,2,3 ... سيتم عرضها على مؤشر درجة حرارة مقصورة المبرد. توفر هذه الأرقام الموجودة على المؤشر معلومات للخدمة المعتمدة حول الخطأ الذي حدث. قد تُعرض علامة تعجب عند وضع الطعام الدافئ في حجرة المجمد أو إبقاء الباب مفتوحاً لفترة طويلة. هذا ليس خطأ، ينبغي زوال هذا التحذير عند تبريد الطعام أو عند الضغط على أي مفتاح.

2. مؤشر توفير الطاقة (إيقاف الشاشة)

يتم تفعيل وظيفة توفير الطاقة تلقائياً ويضئ رمز توفير الطاقة عندما لا يتم فتح باب المنتج أو إغلاقه لمدة من الوقت. عندما تكون وظيفة توفير الطاقة نشطة، فسيتم إيقاف تشغيل جميع الرموز التي تظهر على الشاشة باستثناء رمز توفير الطاقة. عندما تكون وظيفة توفير الطاقة نشطة، يؤدي الضغط على أي زر أو فتح الباب إلى تنشيط وظيفة توفير الطاقة وتعود إشارات الشاشة إلى طبيعتها. وظيفة توفير الطاقة عبارة عن وظيفة يتم تنشيطها مسبقاً في المصنع ولا يمكن إلغاؤها.

3. مفتاح لاسلكي

يستخدم هذا المفتاح للاتصال لاسلكياً بثلاثتك من خلال تطبيق هوم ويز HomeWhiz للهواتف المحمولة. إذا تم الضغط على المفتاح لفترة طويلة (3 ثوانٍ)، فسيومض رمز الاتصال اللاسلكي على الشاشة / المؤشر ببطء (بفواصل زمنية 0.5 ثانية). تتم تهيئة الشبكة المنزلية على المنتج بهذه الطريقة. بعد إجراء الاتصال اللاسلكي بالمنتج، يضيء رمز الاتصال اللاسلكي () باستمرار. يمكنك تنشيط / إلغاء تنشيط الاتصال بعد اكتمال الضبط الأول بالضغط على هذا المفتاح. سيومض رمز الاتصال اللاسلكي

بسرعة (كل 0.2 ثانية) حتى يتم إنشاء الاتصال. عندما يصبح الاتصال نشطاً، يومض رمز الاتصال اللاسلكي باستمرار. إذا تعذر إنشاء الاتصال لفترة طويلة، فتتحقق من إعدادات الاتصال وارجع إلى قسم "استكشاف الأخطاء وإصلاحها" الموجود في دليل المستخدم. استخدم تطبيق HomeWhiz للاتصال اللاسلكي. يتم وصف خطوات التثبيت على التطبيق أثناء التثبيت. يمكنك الوصول إلى التطبيق من خلال قراءة رمز الاستجابة السريعة المتاح على ملصق هوم ويز HomeWhiz على المنتج. يمكن الحصول على التطبيق من App Store لأجهزة iOS أو من متجر Play لأجهزة Android. للحصول على مزيد من التفاصيل، تفضل بزيارة <https://www.homewhiz.com/address>

4. مفتاح ضبط درجة حرارة حجرة المبرد

يسمح بضبط درجة حرارة حجرة المبرد. سيؤدي الضغط على المفتاح إلى تمكين ضبط درجة حرارة حجرة المبرد على 8 درجات مئوية، و 7 درجات مئوية، و 6 درجات مئوية، و 5 درجات مئوية، و 4 درجات مئوية، و 3 درجات مئوية، و 2 درجة مئوية، و 1 درجة مئوية.

5. مفتاح ضبط إعدادات حرارة مقصورة التجميد

يتم ضبط درجة حرارة مقصورة المبرد. سيؤدي الضغط على المفتاح إلى تمكين ضبط درجة حرارة حجرة التجميد على -18 درجة مئوية و -19 درجة مئوية و -20 درجة مئوية و -21 درجة مئوية و -22 درجة مئوية و -23 درجة مئوية و -24 درجة مئوية.

6. مفتاح وحدة مزيل الروائح

اضغط على هذا المفتاح لمدة 3 ثوانٍ لتنشيط / إلغاء تنشيط خاصية مزيل الروائح. يضيء رمز وحدة مزيل الروائح عندما تكون خاصية مزيل الروائح نشطة. عندما تكون الخاصية نشطة، سيتم تشغيل وحدة مزيل الروائح بشكل دوري.

7. مفتاح التجميد السريع

عند الضغط على مفتاح التجميد السريع، يضيء رمز التجميد السريع وتنشيط وظيفة التجميد السريع. تم تعيين درجة حرارة حجرة التجميد على -27 درجة مئوية. اضغط على المفتاح مرة أخرى لإلغاء الوظيفة. سيتم إلغاء وظيفة التجميد السريع تلقائياً.

لتجميد كمية كبيرة من الطعام الطازج، اضغط على زر التجميد السريع قبل وضع الطعام في مقصورة المجمد.

8. مفتاح تحويل المقصورة "3"

عند الضغط على مفتاح تحويل الحجرة لمدة 3 ثوانٍ، يتم تبديل حجرة التجميد بين أوضاع التبريد، والإيقاف، والتجميد على التوالي. عندما يتم تشغيلها كحجرة تبريد، يتم ضبط درجة حرارة المقصورة على 4 درجات مئوية. في وضع إيقاف التشغيل، يجب أن يعرض مؤشر درجة حرارة المقصورة "-".

9. مفتاح وظيفة إيقاف تشغيل مقصورة المبرد (وضع

العطلة) "3"

اضغط على المفتاح لمدة 3 ثوانٍ لتشغيل وضع العطلة. يتم تشغيل وضع العطلة وبضياء رمز العطلة. يتم عرض التعبير "- -" على مؤشر درجة حرارة حجرة المبرد ولا تؤدي حجرة المبرد عملية تبريد نشطة. ليس من المناسب حفظ طعامك في حجرة المبرد عند تشغيل هذه الوظيفة. تستمر

٧ استخدام جهاز

١-٧ تخزين الطعام في حجرة المبرد

تخزين الطعام في حجرة المبرد

- قم بإذابة طعامك المجمد في حجرة الطعام الطازج. وبالتالي، يمكنك تبريد حجرة الطعام الطازج باستخدام الأطعمة المجمدة وتوفير الطاقة.
- قد يؤدي تخزين الفواكه الاستوائية غير الناضجة (المانجو وأصناف البطيخ والبابايا والموز والأناناس) في التلاجة، إلى تسريع عملية النضج، ولا ينصح بذلك لأنه سيؤدي إلى تقليل وقت التخزين.
- يجب تخزين البصل والثوم والأصابع والخضروات الجذرية الأخرى في ظروف الغرفة المظلمة والباردة، وليس في التلاجة.
- إذا لاحظت تلف الطعام في التلاجة، فتخلص من هذا الطعام ونظف الملحقات التي لامست الطعام.
- من أجل تبريد وجبات الطعام مثل الحساء واليخات، والتي يتم طهيها في القدور الكبيرة، يمكنك بسرعة وضعها في التلاجة عن طريق فصلها في أوانها الضحلة.
- ضع الأطعمة غير المعبأة بعيداً عن البيض.
- ترتفع درجات حرارة المقصورة بشكل بارز إذا تم فتح باب الحجرة وإغلاقه بشكل متكرر وظل مفتوحاً لفترة طويلة، فقد يؤدي ذلك إلى تقليل العمر الافتراضي للطعام وتلف الطعام.
- من أجل عدم إحداث تغييرات في الرائحة والمذاق، يجب تخزين الطعام في عبوات مغلقة.
- لتحقيق تبريد أفضل ومتجانس، ضع الطعام بشكل منفصل بحيث يمكن للهواء البارد أن يتجول فيه.
- قم بتوفير تدفق الهواء من خلال ترك مسافة بين الطعام والجدار الداخلي. إذا قمت بوضع الطعام على الحائط الخلفي، فقد يتجمد الطعام.
- أترك الوجبات الساخنة المطبوخة حتى تصل إلى درجة حرارة الغرفة قبل وضعها في التلاجة. بعد ذلك، يمكنك وضع الوجبة الفاترة في الأرفف السفلية للتلاجة. ضع الأطعمة الدافئة بعيداً عن الأطعمة القابلة للتلف.
- انتبه بشكل خاص إلى عدم خلط الأطعمة المباعة كمجمدة مع الأطعمة الطازجة.

الحجرات الأخرى في التبريد وفقاً لدرجات الحرارة المضبوطة سلفاً. اضغط على المفتاح لمدة 3 ثوانٍ مرة أخرى لإلغاء هذه الوظيفة.

10. مفتاح إعادة ضبط إعدادات الاتصال اللاسلكي



لإعادة ضبط إعدادات الاتصال اللاسلكي، يجب الضغط على مفتاحي التجميد السريع والاتصال اللاسلكي معاً لمدة 3 ثوانٍ. تتم إزالة جميع معلومات المستخدم التي تم تسجيلها مسبقاً على المنتج حيث تتم إعادة تعيين / استعادة إعدادات الاتصال اللاسلكي إلى إعدادات المصنع الافتراضية.

يمكن ضبط درجة الحرارة بين 1-8 درجة مئوية لمقصورة التبريد وبين 24- و15 درجة مئوية لمقصورة التجميد. قد تختلف قيم درجات الحرارة القابلة للضبط بشرط أن تكون ضمن هذه النطاقات وفقاً لمواصفات المنتج.

- يمكنك إنشاء بيئة رطبة وتوفير تدفق للهواء عن طريق الاحتفاظ بالفواكه والخضروات المعرضة للجفاف في الأكياس البلاستيكية المثقبة أو غير المغلقة.
- باستثناء الحالات التي تتوفر فيها ظروف بيئية شديدة، إذا تم ضبط منتجك (في جدول القيم المحددة الموصى بها) على القيم المحددة المحددة، فإن الطعام يحافظ على نضارته لفترة أطول في كل من حجرة المنتج الطازج ومقصورة المجمد.
- احتفظ بالفواكه والخضروات بشكل منفصل وقم بتخزين كل نوع معاً (على سبيل المثال، تفاح مع تفاح وجزر مع جزر).
- أخرج الخضروات من الكيس البلاستيكي وضعها في التلاجة بعد لفها بمنشفة ورقية أو قطعة قماش تجفيف. إذا قمت بغسل هذا النوع من الطعام قبل وضعه في التلاجة، فتذكر أن تجففهم.

قم بتخزين الأطعمة في أماكن مختلفة حسب خصائصها:	
الموقع	الطعام
أرفف الباب	البيض
إذا كانت متوفرة، حجرة الدرجة الصفر (لطعام الإفطار)	منتجات الألبان (الزبدة والجبن)
حجرة الفواكه والخضروات أو درج الخضروات أو مقصورة EverFresh+ (إذا وجدت)	الفواكه والخضروات والنباتات الخضراء
إذا كانت متوفرة، حجرة الدرجة الصفر (لطعام الإفطار)	اللحوم الطازجة والدواجن والأسماك والتفاح وما إلى ذلك الأطعمة المطبوخة
الأرفف العلوية أو رف الباب	الأطعمة الجاهزة للتقديم والمنتجات المعبأة والأطعمة المعلبة والمخللات
أرفف الباب	المشروبات والزجاجات والتوابل والوجبات الخفيفة

تخزين الأطعمة المباعة مجمدة

- عند تخزين الطعام، اتبع الفترات الزمنية المحددة في هذه التعليمات.
- من أجل حماية جودة الطعام، حافظ على الفاصل الزمني بين معاملة الشراء والتخزين قصيراً قدر الإمكان.
- اشترى الأطعمة المجمدة التي يتم تخزينها في -18 درجة مئوية أو درجات حرارة منخفضة.
- تجنب شراء الأطعمة التي تكون عبواتها مغطاة بالثلج وما إلى ذلك. وهذا يعني أنه يمكن إذابة المنتج جزئياً وإعادة تجميده. تؤثر درجة الحرارة على جودة الطعام.
- خزّن الطعام حسب الوقت الموصى به من قبل الشركة المصنّعة. قم بإزالة الطعام بالقدر الذي تحتاجه فقط من المجمد.
- باستثناء الحالات التي تتوفر فيها ظروف بيئية شديدة، إذا تم ضبط منتجك (في جدول القيم المحددة الموصى بها) على القيم المحددة المحددة، فإن الطعام يحافظ على نضارته لفترة أطول في كل من حجرة المنتج الطازج ومقصورة المجمد.

تخزين الطعام في مقصورة المجمد

- يمكنك تنشيط وظيفة التجميد السريع قبل 4-6 ساعات من وظيفة التجميد وإجراء تبريد أسرع.
- ضع الوجبات الساخنة في درجة حرارة الغرفة قبل وضعها في مقصورة المجمد.
- يجب تقسيم الأطعمة المراد تجميدها إلى حصص حسب الكمية المراد استهلاكها، مع تجميدها في عبوات منفصلة.
- يوصى بتعبئة الأطعمة قبل وضعها في المجمد.
- من أجل منع انتهاء صلاحية وقت التخزين، اكتب تاريخ التجميد ووقته واسم المنتج على العبوة وفقاً لأوقات تخزين الأطعمة المختلفة.
- استهلك الأطعمة التي قمت بإذابتها بسرعة. لا يمكن تجميد الأطعمة التي تم إذابتها مرة أخرى إلا إذا تم طهيها. ليس من الآمن تناول الأطعمة الطازجة المجمدة دون طهيها بعد إذابتها.
- أثناء تجميد الأطعمة الطازجة، لا تجعلها تتلامس مع الأطعمة المجمدة بالفعل. بخلاف ذلك، سيتم إذابة الأطعمة المجمدة.

- إذا تم ضبط حجرة الطعام الطازج على درجة حرارة منخفضة، فقد يتم تجميد الفواكه والخضروات الطازجة جزئياً.
- المقصورات ذات النجمتين مناسبة للأطعمة المجمدة مسبقاً. يمكن تخزين الأيس كريم ومكعبات الثلج.
- لا تُجمد الأطعمة سوى في الحجرة ذات الأربع نجوم.

أطول مدة تخزين (شهر)	الإعداد	اللحم والسّمك		
6-8	التقطيع بسّمك 2 سم ووضع رقائق معدنية بين كل شريحة أو لفها بإحكام بغلاف مرن	شريحة لحم	لحم العجل	منتجات اللحوم
6-8	تعبئة قطع اللحم في كيس تلاجة أو لفها بإحكام بغلاف مرن	المشاوي		
6-8	قطع صغيرة	المكعبات		
6-8	وضع ورق الألمونيوم بين شرائح مقطعة أو لفها بشكل فردي بغلاف مرن	شرائح، قطع	لحم الضأن	
4-8	وضع ورق الألمونيوم بين قطع اللحم أو لفها بشكل فردي بغلاف مرن	قطع		
4-8	تعبئة قطع اللحم في كيس تلاجة أو لفها بإحكام بغلاف مرن	المشاوي		
4-8	تعبئة قطع اللحم الصغيرة في كيس تلاجة أو لفها بإحكام بغلاف مرن	المكعبات	لحم بقر	
8-12	تعبئة قطع اللحم في كيس تلاجة أو لفها بإحكام بغلاف مرن	المشاوي		
8-12	التقطيع بسّمك 2 سم ووضع رقائق معدنية بين كل شريحة أو لفها بإحكام بغلاف مرن	شريحة لحم		
8-12	قطع صغيرة	المكعبات	اللحم المفروم	
8-12	التعبئة بقطع صغيرة في كيس تلاجة	اللحم المسلوق		
1-3	بدون توابل، في أكياس مسطحة	أحشاء (قطع)		
1-3	قطع	سجق مخمر - سلامي	لحم الخنزير	
1-3	يجب تعبئته حتى وإن كان مغلقاً.	الديك الرومي والدبك الرومي		
2-3	وضع ورق الألمونيوم بين الشرائح المقطعة	الإوز		
4-6	يتم لفه في ورق المونوم	البط	الدواجن وحيوانات الصيد	
4-6	يتم لفه في ورق المونوم (ينبغي ألا يزيد وزن الحصص عن 2.5 كجم)			
4-6	يتم لفه في ورق المونوم (ينبغي ألا يزيد وزن الحصص عن 2.5 كجم)			
6-8	يتم لفه في ورق المونوم (ينبغي ألا يزيد وزن الحصص عن 2.5 كجم، مع ضرورة فصل العظام)	أيل، أرنب، يحمور أوروبي	الأسماك والمأكولات البحرية	
2	يجب بعد التنظيف الشامل من الداخل وإزالة القشور غسل الأسماك وتجفيفها وقطع الذيل وأجزاء الرأس عند الضرورة.	أسماك المياه العذبة (التراوت، الكارب، الكركي، القرموط)		
4-6		الأسماك قليلة الدهون (القاروص، الطربوت، موسى)		
2-4		الأسماك الدهنية (بونيتو، ماركيل، بلوفيش، بوري أحمر، أنشوجة)		
4-6	تنظف وتُوضع في أكياس	البكلوبز	الكافيار	
2-3	يُوضع بعبوته، في وعاء من الألومنيوم أو البلاستيك			

"تعتمد مدة التخزين المحددة في الجدول على درجة حرارة التخزين البالغة -18 درجة مئوية."

أطول مدة تخزين (شهر)	الإعداد	الفاكهة والخضروات
10-13	غليان مفاجئ لمدة 3 دقائق بعد الغسيل والتقطيع إلى قطع صغيرة	اللوبياء والفول القطبي
10-12	غليان مفاجئ لمدة دقيقتين بعد إزالة القشور والغسل	الباذنجان الخضراء
6-8	غليان مفاجئ لمدة 1-2 دقيقة بعد التنظيف	ملفوف
12	غليان مفاجئ لمدة 3-4 دقائق بعد الغسيل والتقطيع إلى شرائح	الجزر
8-10	غليان لمدة 2-3 دقائق بعد تقطيع الساق، وتقسيم الثمرة إلى قسمين وفصل البذور	الفلفل
6-9	غليان مفاجئ لمدة دقيقتين بعد الغسل والتنظيف	السيباج
6-8	غليان مفاجئ لمدة 5 دقائق بعد التقطيع	الكراث
10-12	غليان مفاجئ في القليل من ماء الليمون لمدة 3-5 دقائق بعد فصل الأوراق، وتقطيع اللب إلى قطع	قرنبيط
10-12	غليان مفاجئ لمدة 4 دقائق بعد الغسيل والتقطيع إلى قطع 2 سم	بادنجان
8-10	الغليان المفاجئ لمدة 2-3 دقائق بعد الغسيل والتقطيع إلى قطع 2 سم	سيباج
2-3	القلي قليلاً في الزيت وعصر الليمون عليه	الفطر
12	التنظيف والتعبئة سواءً بالقواقع أو حبوب	ذرة
8-10	الغليان المفاجئ لمدة 2-3 دقائق بعد التقشير والتقطيع إلى شرائح	التفاح والكمثرى
4-6	يُغسَم إلى نصفين ويستخرج البذور	المشمش والخوخ
8-12	عن طريق الغسل وإزالة القشور	الفاصوليا والتوت
12	بإضافة 10٪ سكر في الوعاء	فواكه مخبوزة
8-12	الغسل وإزالة قشور السيقان	البرقوق والكرز والكرز الحامض

"تعتمد مدة التخزين المحددة في الجدول على درجة حرارة التخزين البالغة -18 درجة مئوية."

شروط التخزين	أطول مدة تخزين (شهر)	الإعداد	منتجات الألبان
يمكن تركها في عبوتها الأصلية للتخزين على المدى القصير. للتخزين طويل الأجل، يجب أيضاً تغليفها بورق المنيوم أو بلاستيك.	6-8	تُقطع في شكل شرائح يتم فصلها من خلال وضع أوراق المونوموم بينهما	الجبن (ماعدا جبنة الفيتا)
في عبوتها أو الأوعية البلاستيكية	6	في عبواتها	الزبدة والسمن

"كمية الطعام الطازج التي يمكن تجميدها لفترة زمنية معينة محددة على ملصق النوع." "تعتمد مدة التخزين المحددة في الجدول على درجة حرارة التخزين البالغة -18 درجة مئوية."

مقصورة المجمد الإعدادات	حجرة المبرد الإعدادات	الملاحظات
20°C-	4°C	هذا هو الإعداد الافتراضي المفضل. يوصى بهذا الإعداد إذا كانت درجة الحرارة المحيطة أقل من 30 درجة مئوية.
22- أو 24- درجة مئوية	4°C	يوصى بهذه الإعدادات لدرجات الحرارة التي تتعدى 30 مئوية.
التجميد السريع	4°C	استخدمه عندما نود تجميد طعامك خلال زمن قصير. عندما تنتهي العملية، ستعود إعدادات المنتج إلى الوضع السابق.
18- مئوية أو أقل	2°C	استخدم هذه الإعدادات إذا كنت تعتقد أن حجرة المبرد ليست باردة بما يكفي بسبب درجة حرارة المحيط أو فتح الباب بشكل متكرر.

وضع الطعام

أرفف مقصورة المجمد: الأصناف المجمدة المختلفة بما يشمل اللحم، السمك، الآيس كريم، الخضار، الخ.
أرفف مقصورة المبرد: أصناف الطعام داخل القدور، الأطباق المغطاة والعلب المغطاة، البيض (في علبة مغطاة)
أرفف باب مقصورة المبرد: الأطعمة والمشروبات الصغيرة والمعبأة

درجة الخضروات: الخضروات والفواكه

مقصورة الأطعمة الطازجة: الأطعمة اليومية (طعام الإفطار، اللحوم التي تستهلك خلال فترة قصيرة)

٢-٧ رف الخضروات

تم تصميم درج خضار التلاجة للحفاظ على الخضار طازجة من خلال المحافظة على الرطوبة. لهذه الغاية، يتم تكييف التوزيع الكلي للماء البارد في درج الخضار. احتفظ بالفواكه والخضار في هذه الحجرة. احتفظ بالخضروات ذات الأوراق الخضراء والفواكه بشكل منفصل لإطالة عمرها.

٣-٧ درج التحكم في الرطوبة

مع ميزة التحكم في درجة الرطوبة، يتم التحكم في رطوبة الخضروات والفواكه ويتم الاحتفاظ بالطعام طازجاً لفترة أطول من الوقت. نوصيك بوضع الخضار الورقية مثل الخس والسبانخ والخضروات المماثلة الحساسة لفقدان الرطوبة في درج الخضروات، وليس في وضع مستقيم على جذورها، ولكن أفقياً قدر الإمكان.

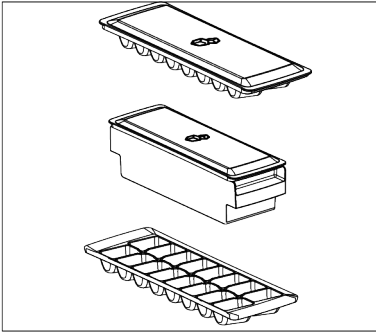
التجميد السريع

1. نشط وظيفة التجميد السريع قبل 24 ساعة من وضع أطعمتك الطازجة.
2. بعد 24 ساعة من الضغط على الزر، ضع طعامك الذي تريد تجميده على الرف الثاني بسعة تجميد أعلى.
3. بمجرد تنشيط وظيفة التجميد السريع، تُلغى تلقائياً بعد فترة زمنية محددة.

تفاصيل المجمد

وفقاً لمعايير IEC 62552، يجب أن يتمتع المجمد بالقدرة على تجميد 4.5 كجم من المواد الغذائية عند 18- درجة مئوية أو درجات حرارة منخفضة عند درجة حرارة الغرفة 25 درجة مئوية خلال 24 ساعة لكل 100 لتر من حجم حجرة التجميد. يمكن الاحتفاظ بالأطعمة لفترات طويلة عند درجة حرارة 18- أو أقل. يمكنك المحافظة على نضارة الأطعمة لعدة أشهر (في المجمد أو تحت درجة - 18 مئوية). يجب أن لا تتلامس الأطعمة المراد تجميدها مع الأطعمة المجمدة سلفاً في الداخل لتجنب الذوبان الجزئي.

اسلق الخضار ونقي الماء لإطالة زمن تخزين المجمدات. ضع الطعام في أغلفة مائعة للهواء بعد التنقية وخنزها في المجمد. يجب عدم تجميد الموز، الطماطم، الخس، الكرفس، البيض المسلووق، البطاطا والأطعمة المماثلة. في حالة تجميد هذه الأطعمة، ستأثر القيم الغذائية ونوعية الأكل سلباً فقط. والتعفن الذي من شأنه أن يهدد صحة الإنسان ليس موضع تساؤل.



٦-٧ عكس جانب فتح الباب

يمكن عكس جانب فتح باب التلاجة وفقاً للمكان الذي تضعه فيه. عندما تحتاج إلى هذا، يجب عليك بالتأكد الاتصال بأقرب خدمة معتمدة.

٧-٧ تحذير فتح الباب

قد يختلف نظام تحذير فتح الباب في ثلاجتك تبعاً للطراز.

النسخة 1:

إذا ظل باب المنتج مفتوحاً لفترة معينة (بين 60 ثانية و 120 ثانية)، تصدر إشارة تحذير صوتية ، اعتماداً على طراز المنتج، يمكن أيضاً عرض إشارة تحذير مرئية (وميض ضوئي). إذا أغلقت باب الجهاز أو ضغطت على أي زر على شاشة الجهاز، إن وجدت، فسيوقف صوت التحذير.

النسخة 2:

يتم إصدار تحذير فتح الباب، إذا ظل باب الجهاز مفتوحاً لفترة زمنية معينة (بين 60 ثانية و 120 ثانية). يُطلق تحذير فتح الباب تدريجياً. أولاً، يبدأ صوت تحذير مسموع. بعد 4 دقائق، إذا كان الباب لا يزال مفتوحاً، يتم تنشيط تحذير مرئي (وميض ضوئي). سيتأخر تحذير فتح الباب لفترة زمنية معينة (بين 60 ثانية و 120 ثانية) عند الضغط على أي مفتاح على شاشة المنتج، إن وجدت. ثم ستبدأ العملية مرة أخرى. سيتم إيقاف تحذير فتح الباب بمجرد إغلاق باب الجهاز.

٨-٧ حامل المشروبات القابل للطي

يسمح للمستخدم بتخزين زجاجات النبيذ إذا لزم الأمر. لاستخدام قسم الرف، أمسك بالجزء البلاستيكي واسحبه لأسفل برفق. يمكنك الآن استخدام رف المشروبات القابل للطي.

عند وضع الخضار ، ضع الخضار الثقيلة والقاسية في الأسفل ، والخضار الخفيفة والبطرية في الأعلى ، مع مراعاة أوزان الخضار الخاصة.

لا تترك الخضار في أكياس بلاستيكية في درج الخضروات. يؤدي تركها في أكياس بلاستيكية إلى تعفن الخضار في وقت قصير.

في الحالات التي لا يفضل فيها تماس خضراوات بالخضروات الأخرى ، استخدم مواد التعبئة والتغليف مثل الورق الذي يحتوي على مستوى معين من المسامية بحيث يضمن النظافة.

لا تضع الفواكه التي تحتوي على نسبة عالية من إنتاج غاز الإيثيلين مثل الكمثرى والمشمش والخوخ وخاصة التفاح في نفس درج الخضروات والفواكه الأخرى. قد يتسبب غاز الإيثيلين الخارج من هذه الفاكهة في نضوج الخضروات والفواكه الأخرى بشكل أسرع وتعفنها في فترة زمنية أقصر.

٤-٧ منطقة التخزين البارد لمنتجات الألبان

درج التخزين البارد

يمكن أن يصل درج التخزين البارد إلى درجات حرارة منخفضة في حجرة المبرد. استخدم هذا الدرج للمنتجات الرهيفة (السلامي، السجق، إلخ) ومنتجات الألبان التي تتطلب ظروف تخزين أكثر برودة، أو لاستهلاك اللحوم أو الدجاج أو الأسماك بسرعة. ليس من المناسب تخزين الفواكه والخضروات في هذا الدرج.

٥-٧ منطقة تخزين الثلج

حماية الثلج

تسمح لك علب الثلج بأخذ الثلج من التلاجة بسهولة.

استخدام علب الثلج

1. أخرج علب الثلج من مقصورة المجمد.
2. املاً العلب بالماء.
3. ضع علب الثلج في حجرة المجمد. سيكون الثلج جاهزاً بعد ساعتين تقريباً.
4. أخرج علب الثلج من حجرة المجمد وقم بإمالتها قليلاً فوق الحامل الذي ستستخدمه للتقديم. سيسكب الثلج بسهولة في حامل التقديم.

٩-٧ استبدال مصباح الإضاءة

اتصل بالخدمة المعتمدة عند الرغبة في استبدال المصباح / LED المستخدم للإضاءة في ثلاجتك. لا يمكن استخدام المصباح (المصابيح) المستخدمة في هذا الجهاز لإضاءة المنزل. الغرض من استخدام هذا المصباح هو مساعدة المستخدم على وضع الطعام في الثلاجة / المجمد بأمان وراحة.

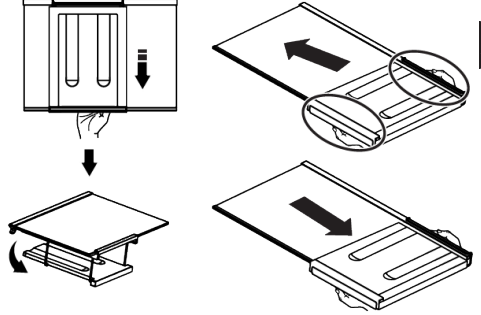
١٠-٧ المروحة

تم تصميم المروحة لضمان توزيع الهواء البارد وتدويره بشكل متجانس فيه. قد يتغير وقت تشغيل المروحة وفقاً لخصائص المنتج. بينما تعمل المروحة في بعض المنتجات مع الضاغط فقط، في المنتجات الأخرى، يحدد نظام التحكم الوقت الذي ستعمل فيه المروحة وفقاً لاحتياجات التبريد.

١١-٧ حامل البيض

يمكنك وضع حامل البيض على الباب أو رف الجسم الذي تريده. في حالة وضع حامل البيض على رف الهيكل، نوصيك باختيار أرفف سفلية أكثر برودة. • لا تضع حامل البيض في حجرة الفريزر أبدًا.

يوصى بتخزين زجاجتي مشروبات كحد أقصى على رف المشروبات القابل للطي. !



لتجميع رف المشروبات، قم أولاً بإزالة الرف الزجاجي من الثلاجة. ضعه على الرف الزجاجي عن طريق دفع الجزء البلاستيكي خلال الأخاديد الأمامية والخلفية كما هو موضح في الصورة. سيكون المنتج جاهزاً للاستخدام مع رف المشروبات القابل للطي. لإزالة رف المشروبات القابل للطي، قم أولاً بإزالة الرف الزجاجي من الثلاجة. ثم أمسك بالجزء البلاستيكي واسحبه في أي اتجاه. يمكنك الآن استخدام المنتج بدون رف المشروبات القابل للطي عند الحاجة.

٨ الصيانة والتنظيف

- نظف الباب بقطعة قماش رطبة. قم بإزالة جميع المحتويات لإزالة الباب ورفوف الهيكل. قم بإزالة رفوف الباب برفعها لأعلى. نظف الرفوف وجففها، ثم ركبها في مكانها ثانية بتمريرها من الأعلى.
- لا تستخدم الماء المحتوي على الكلور أو منتجات التنظيف على السطح الخارجي والأجزاء المطلوبة بالكروم من الجهاز. يسبب الكلور الصدأ على هذه الأسطح المعدنية.
- لا تستخدم الأدوات الحادة والكاشطة والصابون ومواد تنظيف المنزل والمنظفات والغاز والبنزين والورنيش والمواد المماثلة لمنع تشوه الجزء البلاستيكي وإزالة المطبوعات الموجودة عليه. استخدم الماء الدافئ وقماشة ناعمة للتنظيف ثم جفف الجهاز.

- اقرأ "تعليمات الأمان" أولاً!
- قبل تنظيف منتجك، فصلها عن الكهرباء أو قم بإلغاء تنشيط المصهر المتصل بها.
- لا تضع يديك أو قدميك أو أي أشياء معدنية تحت الثلاجة أو بين الثلاجة والأرضية لأي سبب كان. فقد يحدث سحق ليديك أو قد تتسبب أي حافة حادة في حدوث إصابات شخصية.
- لا تستخدم أدوات حادة أو كاشطة لتنظيف المنتج. لا تستخدم مواد مثل مواد التنظيف المنزلية والصابون والمنظفات والغاز والبنزين والكحول والشمع وما إلى ذلك.
- يجب إزالة الغبار من شبكة التهوية الموجودة في الجزء الخلفي من المنتج مرة واحدة في السنة على الأقل (بدون فتح الغطاء). نظف المنتج بقطعة قماش جافة
- احرص على إبعاد الماء عن غطاء المصباح والأجزاء الكهربائية الأخرى.

برفق بقطعة قماش من الألياف الدقيقة مبللة بالماء واستخدم قطعة قماش شمواه جافة للتلميع. اتبع دائماً اتجاه عروق الفولاذ المقاوم للصدأ.

منع الروائح

تم تصنيع المنتج من مواد خالية من الروائح. ومع ذلك، فإن تخزين الطعام بشكل غير مناسب والتنظيف غير المناسب للأسطح الداخلية قد يؤدي إلى ظهور الروائح.

- لتجنب ذلك، نظف الجزء الداخلي بماء مكرين كل 15 يوماً.
- احتفظ بالأطعمة في حوامل مغلقة، لأن الكائنات الحية الدقيقة الناتجة عن الأطعمة المحفوظة في عبوات غير محكمة الغلق تسبب رائحة كريهة.
- لا تترك الأطعمة التالفة ومتهية الصلاحية في الثلاجة.

حماية الأسطح البلاستيكية

قد يتلف الزيت المنسكب على الأسطح البلاستيكية السطح، لذا يجب تنظيفه بالماء الساخن فوراً.

• بالنسبة للمنتجات التي لا تحتوي على ميزة تبريد مضاد للصقيع No-Frost ، قد تظهر قطرات الماء وتلج بسلك الإصبع على الجدار الخلفي لمقصورة المبرد. لا تنظف ، ولا تستخدم الزيوت أو المواد الشابهة.

- استخدم فقط قطعة قماش من الألياف الدقيقة مبللة قليلاً لتنظيف السطح الخارجي للمنتج. قد تسبب الإسفنج وأنواع تنظيف الملابس الأخرى خدوشاً.
- لتنظيف جميع المكونات القابلة للإزالة أثناء تنظيف السطح الداخلي للمنتج ، اغسل هذه المكونات بمحلول معتدل يتكون من الصابون والماء والكربونات. اشطفه وجففه كلياً. امنع ملامسة الماء لمكونات الإضاءة ولوحة التحكم.
- لا تستخدم الخل أو الكحول المحمر أو مواد التنظيف الأخرى التي تحتوي على الكحول على أي سطح داخلي.

الأسطح الخارجية من الفولاذ المقاوم للصدأ

استخدم مادة تنظيف غير كاشطة مصنوعة من الفولاذ المقاوم للصدأ وقم بتطبيقها بقطعة قماش ناعمة وخالية من النسالة. للتلميع، امسح السطح

٩ استكشاف الأخطاء وإصلاحها

- المكان رطب جداً. <<< لا تضع الجهاز في أماكن رطبة.
- الأطعمة المحتوية على سوائل تحفظ في مستوعبات غير محكمة الإغلاق. <<< احتفظ بالأطعمة المحتوية على سوائل في مستوعبات محكمة الإغلاق.
- ترك الباب مفتوحاً. <<< لا تدع أبواب الثلاجة مفتوحة لفترات طويلة.
- تم ضبط منظم الحرارة على درجة حرارة باردة جداً. <<< اضبط التيرموستات على درجة حرارة مناسبة.

الضاغط لا يعمل.

- في حال حدوث انقطاع مفاجئ في التيار الكهربائي أو سحب قابس الطاقة وإعادته مرة أخرى، يصبح ضغط الغاز في نظام تبريد الجهاز غير متوازن، مما يفعل الواقي الحراري للضاغط. يعمل المنتج من جديد بعد 6 دقائق تقريباً. إذا لم يعمل الجهاز بعد هذه الفترة، اتصل بمركز الصيانة.

اقرأ "تعليمات الأمان" أولاً! تحقق من هذه القائمة قبل الاتصال بمركز الصيانة. من شأن ذلك توفير الوقت والمال. تتضمن هذه القائمة الشكاوى غير المرتبطة بعيوب الصناعة أو المواد. وقد لا تنطبق سمات معينة مذكورة هنا على جهازك.

إن استمرت المشكلة بعد اتباع تعليمات هذا القسم، اتصل بالبائع أو بمركز خدمة معتمد. لا تحاول إصلاح الجهاز.

الثلاجة لا تعمل.

- قابس الطاقة غير مستقر كلياً. <<< ادفعه بحيث يستقر في المقبس كلياً.
- الصمام الموصول بالمقبس الذي يزود الجهاز بالطاقة أو الصمام الرئيسي تالف. <<< افحص الصمام.

هناك تكاتف على جانب جدار حجرة المبرد (المنطقة المتعددة، منطقة التبريد، التحكم والمنطقة المرنة).

- يتم فتح الباب بشكل متكرر. <<< احرص على عدم فتح باب المنتج كثيراً.

- إزالة الجليد غير نشطة. <<< هذا أمر طبيعي في جهاز مقاوم للصقيع تلقائياً. تتم إزالة الجليد دورياً.
- الجهاز غير موصول بالكهرباء. <<< تأكد أن سلك الطاقة موصول بالكهرباء.
- إعداد درجة الحرارة غير صحيح. <<< اختر إعداداً صحيحاً لدرجة الحرارة.
- لا يوجد تيار كهربائي. <<< يستمر الجهاز بالعمل بشكل طبيعي حال عودة الطاقة.
- **يزداد ضجيج تشغيل التلاجة أثناء الاستعمال.**
- وقد يتباين أداء عمل الجهاز بناء على تغيرات درجة حرارة المكان. هذا أمر طبيعي ولا يعتبر عطلاً.
- **تعمل التلاجة لفترة زمنية طويلة.**
- ربما يكون المنتج الجديد أكبر من المنتج السابق. تعمل الأجهزة الأكبر فترات زمنية أطول.
- ربما تكون درجة حرارة الغرفة عالية. <<< يعمل الجهاز فترات طويلة في درجات الحرارة العالية.
- ربما تم توصيل الجهاز بالكهرباء مؤخراً أو تم وضع صنف طعام جديد داخله. <<< يستغرق الجهاز فترة أطول لبلوغ درجة الحرارة المعينة عند توصيله بالكهرباء حديثاً أو عند وضع صنف طعام جديد داخله. هذا أمر طبيعي.
- ربما تم وضع كميات كبيرة من الطعام الساخن في الجهاز مؤخراً. <<< لا تضع الطعام الساخن داخل الجهاز.
- تم فتح الأبواب كثيراً أو تركت مفتوحة لفترات طويلة. <<< لا تفتح الأبواب كثيراً.
- ربما يكون الباب موارباً. <<< أغلق الباب كلياً.
- ربما تم توصيل الجهاز بالكهرباء مؤخراً أو تم وضع صنف طعام جديد داخله. <<< هذا أمر طبيعي.
- يستغرق الجهاز فترة أطول لبلوغ درجة الحرارة المعينة عند توصيله بالكهرباء حديثاً أو عند وضع صنف طعام جديد داخله.
- ربما تم وضع كميات كبيرة من الطعام الساخن في الجهاز مؤخراً. <<< لا تضع الطعام الساخن داخل الجهاز.
- **الاهتزاز أو الضجيج.**
- السطح ليس مسطحاً أو متيناً <<< إذا كان المنتج بهتز عند تحريكه ببطء، فاضبط الحامل لموازنة المنتج. تأكد أن الأرض متينة لدرجة تحمل الجهاز.
- قد تحدث أية مواد موضوعة على الجهاز ضجيجاً. <<< قم بإزالة أية مواد وضعت على الجهاز.
- يصدر الجهاز ضجيجاً يشبه تدفق السوائل، أو الرش، الخ.

- إزالة الجليد غير نشطة. <<< هذا أمر طبيعي في جهاز مقاوم للصقيع تلقائياً. تتم إزالة الجليد دورياً.
- الجهاز غير موصول بالكهرباء. <<< تأكد أن سلك الطاقة موصول بالكهرباء.
- إعداد درجة الحرارة غير صحيح. <<< اختر إعداداً صحيحاً لدرجة الحرارة.
- لا يوجد تيار كهربائي. <<< يستمر الجهاز بالعمل بشكل طبيعي حال عودة الطاقة.
- **يزداد ضجيج تشغيل التلاجة أثناء الاستعمال.**
- وقد يتباين أداء عمل الجهاز بناء على تغيرات درجة حرارة المكان. هذا أمر طبيعي ولا يعتبر عطلاً.
- **تعمل التلاجة لفترة زمنية طويلة.**
- ربما يكون المنتج الجديد أكبر من المنتج السابق. تعمل الأجهزة الأكبر فترات زمنية أطول.
- ربما تكون درجة حرارة الغرفة عالية. <<< يعمل الجهاز فترات طويلة في درجات الحرارة العالية.
- ربما تم توصيل الجهاز بالكهرباء مؤخراً أو تم وضع صنف طعام جديد داخله. <<< يستغرق الجهاز فترة أطول لبلوغ درجة الحرارة المعينة عند توصيله بالكهرباء حديثاً أو عند وضع صنف طعام جديد داخله. هذا أمر طبيعي.
- ربما تم وضع كميات كبيرة من الطعام الساخن في الجهاز مؤخراً. <<< لا تضع الطعام الساخن داخل الجهاز.
- تم فتح الأبواب كثيراً أو تركت مفتوحة لفترات طويلة. <<< يتسبب الهواء الساخن المتحرك في الداخل في عمل الجهاز فترة أطول. لا تفتح الأبواب كثيراً.
- ربما يكون باب المجمد أو المبرد موارباً. <<< تأكد أن الأبواب مغلقة كلياً.
- ربما يكون الجهاز مضبوط على درجة حرارة متدنية جداً. <<< اضبط درجة الحرارة على درجة أعلى وانتظر حتى يصل الجهاز إلى درجة الحرارة المرغوبة.
- ربما تكون فلكة باب المبرد أو المجمد متسخة، أو مهترئة أو مكسورة أو غير مستقرة. <<< نظف أو استبدل مانع التسرب. تتسبب فلكة الباب النالفة/ المهترئة في عمل الجهاز لفترات طويلة للحفاظ على درجة الحرارة الحالية.

- يتخلل مبادئ تشغيل الجهاز تدفق السائل والغاز.
- <<< هذا أمر طبيعي ولا يعتبر عطلا.

هناك صوت كهبوب الرياح يأتي من الجهاز.

- يستخدم الجهاز مروحة في عملية التبريد. هذا أمر طبيعي ولا يعتبر عطلا.

هناك تكاثف على الجدران الداخلية للجهاز.

- يزيد الطففس الحار أو الرطب من تشكل الصقيع والتكاثف. هذا أمر طبيعي ولا يعتبر عطلا.
- تم فتح الأبواب كثيرا أو تركت مفتوحة لفترات طويلة. <<< لا تفتح الأبواب كثيرا؛ إذا كانت مفتوحة، أغقلها.

- ربما يكون الباب مواربا. <<< أغلق الباب كليا.

هناك تكاثف على السطح الخارجي للجهاز أو بين

الأبواب.

- ربما يكون جو المكان رطبا، وهذا أمر طبيعي في الجو الرطب. <<< سيتبدد التكاثف عندما تقل الرطوبة.

رائحة الجزء الداخلي سيئة.

- لا يتم تنظيف الجهاز بانتظام. <<< نظف الجزء الداخلي بانتظام مستخدما إسفنجة وماء دافئ وماء مكرين.

- قد تسبب بعض المستوعبات ومواد التغليف بالروائح. <<< استخدم المستوعبات ومواد التغليف الخالية من الروائح.

- تم وضع الطعام في مستوعبات غير محكمة الإغلاق. <<< احتفظ بالأطعمة في مستوعبات محكمة الإغلاق. قد تنتشر الميكروبات من الأطعمة غير المغلقة مسببة الروائح الكريهة.
- تخلص من أية أطعمة فاسدة أو منتهية الصلاحية داخل الجهاز.

الباب لا يغلق.

- تسد أغلفة الطعام الباب أحيانا. <<< غير مكان الأطعمة التي تسد الأبواب.
- لا يقف الجهاز بوضع رأسي كامل على الأرض. <<<اضبط القواعد لموازنة الجهاز.
- السطح ليس مسطحا أو متينا <<< تأكد من أن السطح مسطح ومتين بدرجة كافية لتحمل المنتج.

درج الخضروات محشور.

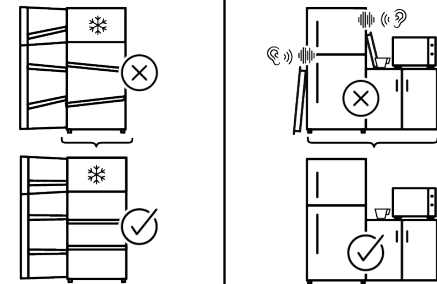
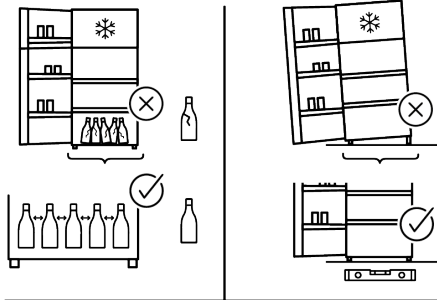
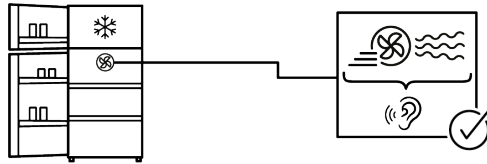
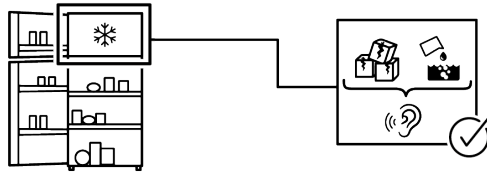
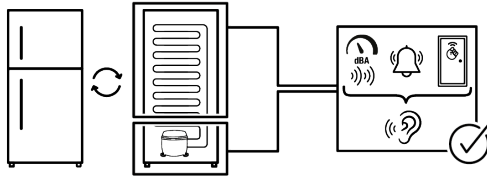
- ربما تلامس الأطعمة الجزء العلوي من الجارور. <<< أعد ترتيب الأطعمة في الجارور.

درجة الحرارة على سطح المنتج.

- يمكن ملاحظة ارتفاع درجة الحرارة بين البابين ، على الألواح الجانبية وعلى منطقة الشبكة الخلفية أثناء تشغيل المنتج. هذا أمر طبيعي ولا يتطلب صيانة.

تستمر المروحة في العمل عند فتح الباب.

- قد تستمر المروحة في العمل عندما يكون باب المجمد مفتوحا.
- إن استمرت المشكلة بعد اتباع تعليمات هذا القسم، اتصل بالبائع أو بمركز خدمة معتمد. لا تحاول إصلاح الجهاز. هذا أمر طبيعي.



إخلاء المسؤولية

قد يؤدي إلى إثارة قضايا تتعلق بالسلامة لا يمكن نسبها إلى Whirlpool، وسيؤدي ذلك إلى إبطال ضمان المنتج.

لذلك، يوصى بشدة أن يتمتع المستخدمون النهائيون عن محاولة إجراء إصلاحات تقع خارج قائمة قطع الغيار المذكورة، والاتصال في مثل هذه الحالات بمختصي إصلاح محترفين معتمدين أو مختصي إصلاح محترفين مُسجلين. وعلى العكس تماماً، فقد تتسبب مثل هذه المحاولات من قبل المستخدمين النهائيين في حدوث مشكلات تتعلق بالسلامة وإتلاف المنتج وبالتالي التسبب في حدوث حريق أو حدوث سيلان ماء أو التعرّض لصعق كهربائي ووقوع إصابة شخصية خطيرة.

على سبيل المثال، لا الحصر، يجب توجيه الإصلاحات التالية إلى مختصي إصلاح محترفين معتمدين أو مختصي إصلاح محترفين مُسجلين: الصاعط، دائرة التبريد، اللوحة الرئيسية، لوحة العاكس، لوحة العرض، وما إلى ذلك.

ولا يمكن تحميل الشركة المصنّعة/البائع المسؤولية في أي حالة لا يلتزم فيها المستخدمون النهائيون بما ورد أعلاه.

يبلغ توفر قطع الغيار للتلاجة التي اشتريتها 10 سنوات. وخلال هذه الفترة، ستكون قطع الغيار الأصلية متاحة لتشغيل التلاجة بشكل صحيح الحد الأدنى لمدة ضمان التلاجة التي اشتريتها هو 24 شهراً.

هذا المنتج مزود بمصدر إضاءة من فئة الطاقة "G". يجب استبدال مصدر الإضاءة في هذا المنتج بواسطة مختص إصلاح محترف فقط.

يمكن للمستخدم النهائي التعامل مع بعض الأعطال (البسيطة) على نحو ملائم دون حدوث أي مشكلة تتعلق بالسلامة أو الاستخدام غير الآمن، شريطة أن يتم القيام بها ضمن الحدود ووفقاً للإرشادات التالية (راجع قسم "الإصلاح الذاتي").

لذلك، يجب توجيه الإصلاحات إلى مختصي إصلاح محترفين مسجلين لتجنب المشكلات المتعلقة بالسلامة ما لم يتم التصريح بخلاف ذلك في قسم "الإصلاح الذاتي" أدناه. يعتبر مختص الإصلاح المُحترف المُسجل مختص إصلاح محترفاً قد تم منحه حق الوصول إلى التعليمات وقائمة قطع الغيار لهذا المنتج من قبل الشركة المصنّعة وفقاً للطرق الموضحة في القوانين التشريعية بمقتضى التوجيه EC/2009/125.

مع ذلك، فإنه لا يمكن سوى لوكيل الخدمة (أي، مختصي الإصلاح المحترفين المعتمد) الذي يمكنك الوصول إليه من خلال رقم الهاتف الموجود في دليل المستخدم/بطاقة الضمان أو من خلال الموزع المعتمد لديك تقديم الخدمة بموجب شروط الضمان. لذلك، يُرجى العلم بأن الإصلاحات التي تتم بواسطة مختصي إصلاح محترفين (غير المعتمدين من قبل Whirlpool تبطل الضمان. الإصلاح الذاتي

يمكن للمستخدم النهائي إجراء الإصلاح الذاتي في ما يتعلق بصورة حصرية بقطع الغيار التالية: مقابض الأبواب، ومفصلات الأبواب، والصواني، والسلال، وحشيات الأبواب (تتوفر أيضاً قائمة محدّثة) <https://parts-selfservice.europeanappliances.com> اعتباراً من 1 مارس 2021).

علاوة على ذلك، فإنه لضمان سلامة المنتج ومنع خطر حدوث إصابة خطيرة، يجب إجراء الإصلاح الذاتي المذكور باتباع الإرشادات الواردة في دليل المستخدم للإصلاح الذاتي أو المتوفرة في <https://parts-selfservice.europeanappliances.com>. لضمان سلامتك، أفضل المنتج قبل محاولة إجراء أي إصلاح ذاتي.

إن القيام بالإصلاح ومحاولات الإصلاح من قبل المستخدمين النهائيين للأجزاء غير المُدرجة في هذه القائمة/أو عدم اتباع التعليمات الواردة في أدلة المستخدم للإصلاح الذاتي أو المتوفرة في <https://parts-selfservice.europeanappliances.com>.