

# Whirlpool

## No-Frost Refrigerator Freezer

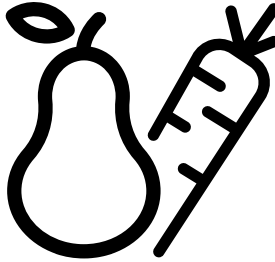
User manual

## No-Frost Réfrigérateur Congélateur

Manuel de l'utilisateur

ثلاجة بفریزر نو فروست

دليل المستخدم



## WBMS 601362 XNA

®/TM/© 2025 Whirlpool. Produced under license

®/TM/© 2025 Whirlpool. Produit sous licence

®/TM/© 2025 Whirlpool. تم إنتاجه بموجب ترخيص



EN - FR - AR



**Dear Customer,**  
**Please read this manual before using the product.**

Thank you for choosing this product.

Please register your products on [www.register10.eu](http://www.register10.eu)

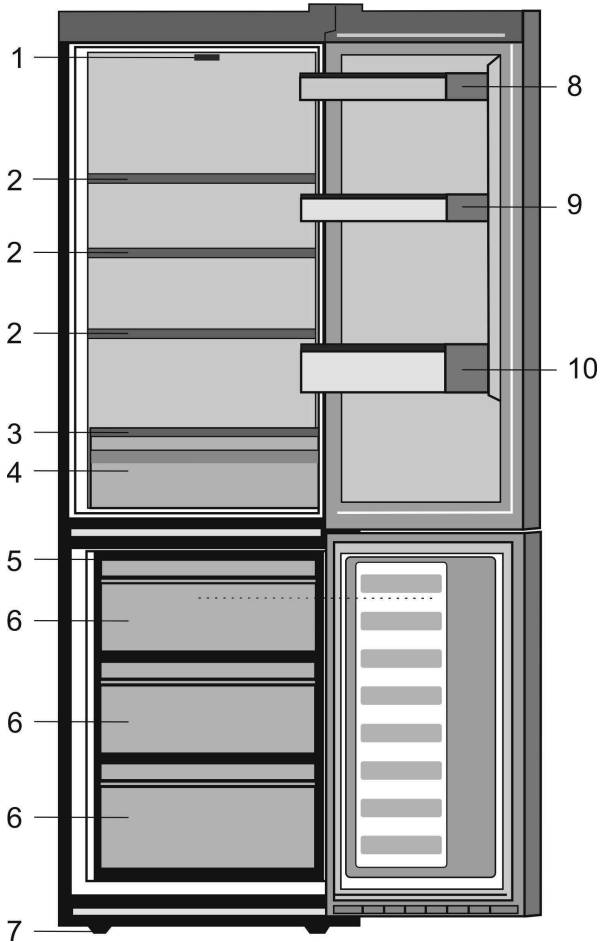
We would like you to achieve the optimal efficiency from this high quality product which has been manufactured with state of the art technology. To do this, carefully read this manual and any other documentation provided before using the product and keep it as a reference. Heed all information and warnings in the user manual. This way, you will protect yourself and your product against the dangers that may occur. Keep the user manual. Include this guide with the unit if you hand it over to someone else.

# CONTENTS

---

<b><u>1 Your refrigerator</u></b>	<b><u>3</u></b>	<b><u>3 Preparation</u></b>	<b><u>6</u></b>
<b><u>2 Installation</u></b>	<b><u>4</u></b>	<b><u>4 Using your refrigerator</u></b>	<b><u>7</u></b>
Points to be paid attention to when the relocation of the refrigerator.....	4	Thermostat setting button.....	7
Before you start the refrigerator,.....	4	Defrost .....	7
Electrical connection.....	4	Freezing fresh food.....	7
Disposing of the packaging.....	4	Reversing the doors .....	9
Disposing of your old refrigerator.....	5	Recommendations for preservation of frozen food.....	10
Placing and Installation.....	5	Recommendations for the fresh food compartment .....	10
Changing the illumination lamp .....	5	<b><u>5 Maintenance and cleaning</u></b>	<b><u>11</u></b>
Adjusting the legs.....	5	Protection of plastic surfaces .....	11
		<b><u>6 Troubleshooting</u></b>	<b><u>12</u></b>

# 1 Your refrigerator



- |                                    |  |
|------------------------------------|--|
| 1. Setting knob and interior light | 6. Compartments for frozen foods keeping |
| 2. Adjustable Cabinet shelves      | 7. Adjustable front feet                 |
| 3. Cover glass                     | 8. Egg tray                              |
| 4. Salad crispers                  | 9. Shelf for jars                        |
| 5. Ice tray                        | 10. Shelf for bottles                    |

**i** Figures that take place in this instruction manual are schematic and may not correspond exactly with your product. If the subject parts are not included in the product you have purchased, then it is valid for other models.

## 2 Installation

### Points to be paid attention to when the relocation of the refrigerator

1. Your refrigerator should be unplugged. Before transportation of your refrigerator, it should be emptied and cleaned.
2. Before it is re-packaged, shelves, accessories, crisper, etc. inside your refrigerator should be fixed with adhesive tape and secured against impacts. Package should be bound with a thick tape or sound ropes and the transportation rules on the package should be strictly observed.
3. Original packaging and foam materials should be kept for future transportations or moving.

### Before you start the refrigerator,

Check the following before you start to use your refrigerator:

1. Clean the interior of the refrigerator as recommended in the "Maintenance and cleaning" section.
2. Connect the plug of the refrigerator to the wall socket. When the fridge door is opened, fridge internal lamp will turn on.
3. When the compressor starts to operate, a sound will be heard. The liquid and gases sealed within the refrigeration system may also give rise to noise, even if the compressor is not running and this is quite normal.
4. Front edges of the refrigerator may feel warm. This is normal. These areas are designed to be warm to avoid condensation.

### Electrical connection

Connect your product to a grounded socket which is being protected by a fuse with the appropriate capacity.

Important:

The connection must be in compliance with national regulations.

- The power plug must be easily accessible after installation.
- Electrical safety of your refrigerator shall be guaranteed only if the earth system in your house complies with standards.
- The voltage stated on the label located at left inner side of your product should be equal to your network voltage.
- **Extension cables and multi plugs must not be used for connection.**

A damaged power cable must be replaced by a qualified electrician.

Product must not be operated before it is repaired! There is the risk of electric shock!

### Disposing of the packaging

The packing materials may be dangerous for children. Keep the packing materials out of the reach of children or dispose of them by classifying them in accordance with the waste instructions stated by your local authorities.

The packing of your refrigerator is produced from recyclable materials.

## Disposing of your old Refrigerator

Dispose of your old refrigerator without giving any harm to the environment.

- You may consult your authorized dealer or waste collection center of your municipality about the disposal of your refrigerator.

Before disposing of your refrigerator, cut out the electric plug and, if there are any locks on the door, make them inoperable in order to protect children against any danger.

## Placing and Installation

⚠ If the entrance door of the room where the refrigerator will be installed is not wide enough for the refrigerator to pass through, then call the authorized service to have them remove the doors of your refrigerator and pass it sideways through the door.

1. Install your refrigerator to a place that allows ease of use.
2. Keep your refrigerator away from heat sources, humid places and direct sunlight.
3. There must be appropriate air ventilation around your refrigerator in order to achieve an efficient operation. If the refrigerator is to be placed in a recess in the wall, there must be at least 5 cm distance with the ceiling and at least 5 cm with the wall.
4. Place your refrigerator on an even floor surface to prevent jolts.

## Changing the illumination lamp

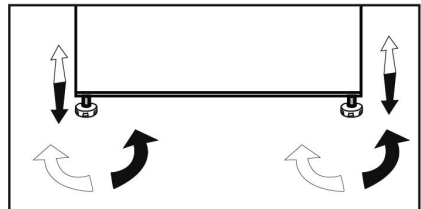
To change the Bulb/LED used for illumination of your refrigerator, call your Authorized Service.

The lamp(s) used in this appliance is not suitable for household room illumination. The intended purpose of this lamp is to assist the user to place foodstuffs in the refrigerator/freezer in a safe and comfortable way.

The lamps used in this appliance have to withstand extreme physical conditions such as temperatures below  $-20^{\circ}\text{C}$ .

## Adjusting the legs

If your refrigerator is unbalanced; You can balance your refrigerator by turning its front legs as illustrated in the figure. The corner where the leg exists is lowered when you turn in the direction of black arrow and raised when you turn in the opposite direction. Taking help from someone to slightly lift the refrigerator will facilitate this process.

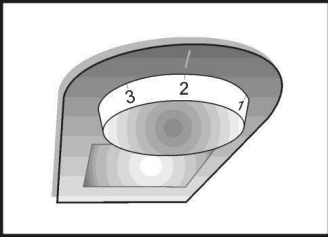


### 3 Preparation

---

- Your refrigerator should be installed at least 30 cm away from heat sources such as hobs, ovens, central heater and stoves and at least 5 cm away from electrical ovens and should not be located under direct sunlight.
- The ambient temperature of the room where you install your refrigerator should at least be 10°C. Operating your refrigerator under cooler conditions is not recommended with regard to its efficiency.
- Please make sure that the interior of your refrigerator is cleaned thoroughly.
- If two refrigerators are to be installed side by side, there should be at least 2 cm distance between them.
- When you operate your refrigerator for the first time, please observe the following instructions during the initial six hours.
- The door should not be opened frequently.
- It must be operated empty without any food in it.
- Original packaging and foam materials should be kept for future transportations or moving.

## 4 Using your refrigerator



### Thermostat setting button

The interior temperature of your refrigerator changes for the following reasons;

- Seasonal temperatures,
- Frequent opening of the door and leaving the door open for long periods,
- Food put into the refrigerator without cooling down to the room temperature,
- The location of the refrigerator in the room (e.g. exposing to sunlight).
- You may adjust the varying interior temperature due to such reasons by using the thermostat.

Operating temperatures are controlled by the thermostat knob and may be set at any position between 0 and 5 (the coldest position).

The average temperature inside the fridge should be around +5°C (+41°F). Therefore adjust the thermostat to obtain the desired temperature. Some sections of the fridge may be cooler or warmer (such as salad crisper and top part of the cabinet) which is quite normal. We recommend that you check the temperature periodically with a thermometer to ensure that the cabinet is kept to this temperature. Frequent door openings cause internal temperatures to rise, so it is advisable to close the door as soon as possible after use.

### Defrost

#### A) Fridge compartment

Fridge compartment performs full-automatic defrosting. Water drops and a frosting up to 7-8 mm can occur on the inner rear wall of the fridge compartment while your refrigerator cools down. Such formation is normal as a result of the cooling system. The frost formation is defrosted by performing automatic defrosting with certain intervals thanks to the automatic defrosting system of the rear wall. User is not required to scrape the frost or remove the water drops. Water resulting from the defrosting passes from the water collection groove and flows into the evaporator through the drain pipe and evaporates here by itself. Check regularly to see if the drain pipe is clogged or not and clear it with the stick in the hole when necessary. Deep freezer compartment does not perform automatic defrosting in order to prevent decaying of the frozen food.

#### B) Freezer compartment

Defrosting is very straightforward and without mess, thanks to a special defrost collection basin. Defrost twice a year or when a frost layer of around 7 (1/4") mm has formed. To start the defrosting procedure, switch off the appliance at the socket outlet and pull out the mains plug. All food should be wrapped in several layers of newspaper and stored in a cool place (e.g.) fridge or larder. Containers of warm water may be placed carefully in the freezer to speed up the defrosting.

Sponge out the defrost water collected in the bottom of the freezer compartment. After defrosting, dry the interior thoroughly. Insert the plug into the wall socket and switch on the electricity supply.

## Freezing fresh food

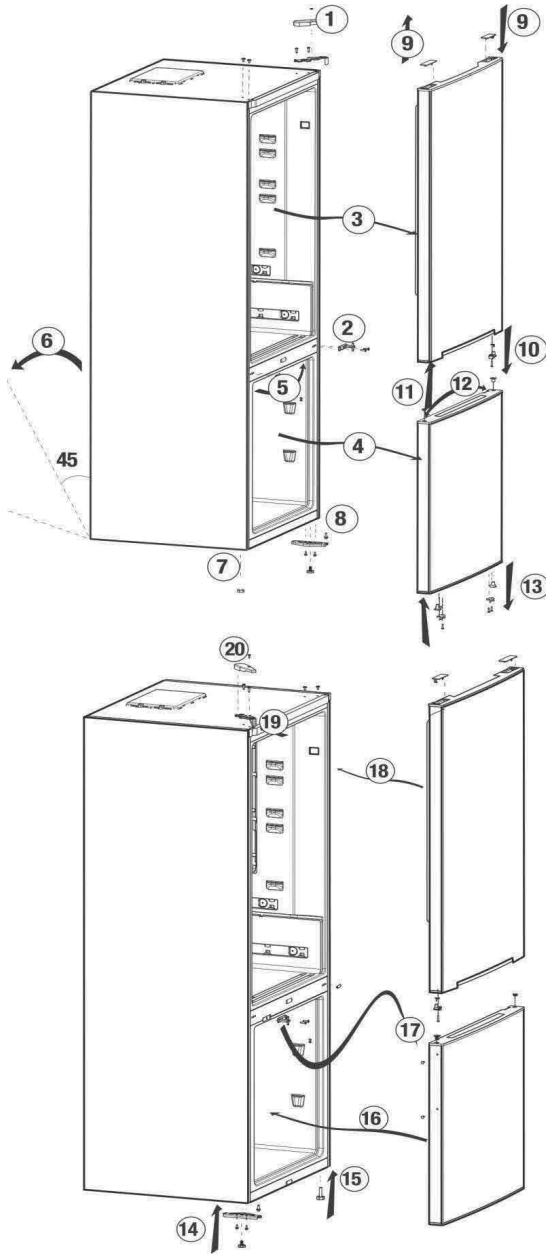
- Wrap or cover the food before placing them in the refrigerator.
- Hot food must cool down to the room temperature before putting them in the refrigerator.
- The foodstuff that you want to freeze must be fresh and in good quality.
- Foodstuff must be divided into portions according to the family's daily or meal based consumption needs.
- Foodstuff must be packaged in an airtight manner to prevent them from drying even if they are going to be kept for a short time.
- Materials to be used for packagings must be resistant to cold and humidity and they must be airtight. The packaging material of the food must be at a sufficient thickness and durability. Otherwise the food hardened due to freezing may puncture the packaging. It is important for the packaging to be closed securely for safe storage of the food.
- Placing warm food into the freezer compartment causes the cooling system to operate continuously until the food is frozen solid.

● Please observe the following instructions to obtain the best results.

1. The quality of the food is best preserved when it is frozen right through to the core as quickly as possible.
2. Take special care not to mix already frozen food and fresh food.
3. Make sure raw foods are not in contact with cooked foods in the fridge.
4. Maximum frozen food storage volume is achieved without using the drawers provided in the freezer compartment. Energy consumption of your appliance is declared while the freezer compartment is fully loaded on shelves without the use of the drawers.
5. It is recommended that you place foodstuffs on top shelf of freezer for initial freezing.

# Reversing the doors

Proceed in numerical order



## Recommendations for preservation of frozen food

Prepacked commercially frozen food should be stored in accordance with the frozen food manufacturer's instructions for a **★\*\*\*** (4 star) frozen food storage compartment.

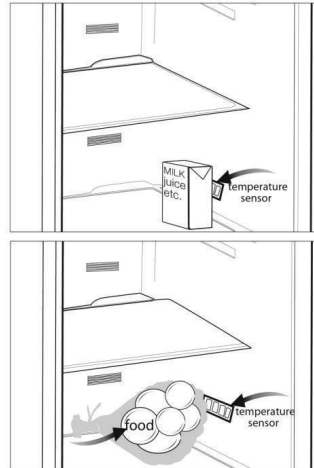
- To ensure that the high quality achieved by the frozen food manufacturer and the food retailer is maintained, the following should be remembered:

1. Put packages in the freezer as quickly as possible after purchase.
2. Ensure that contents are labeled and dated.

## Recommendations for the fresh food compartment

**\*optional**

- To allow the fresh food compartment keep its ideal storage temperature, sensor must not be hindered by food.



## 5 Maintenance and cleaning

---

We recommend that you unplug the appliance before cleaning.

Use lukewarm water to clean the cabinet of your refrigerator and wipe it dry.

Use a damp cloth wrung out in a solution of one teaspoon of bicarbonate of soda to one pint of water to clean the interior and wipe it dry.

Make sure that no water enters the lamp housing and other electrical items.

If your refrigerator is not going to be used for a long period of time, unplug the power cable, remove all food, clean it and leave the door ajar.

Check door seals regularly to ensure they are clean and free from food particles.

To remove door racks, remove all the contents and then simply push the door rack upwards from the base.

Chlorine causes corrosion on such metal surfaces.

### Protection of plastic surfaces

In case of spilling or smearing oil on the plastic surfaces, clean and rinse the relevant part of the surface at once with warm water.

## 6 Troubleshooting

Please review this list before calling the service. It will save your time and money. This list includes frequent complaints that are not arising from defective workmanship or material usage. Some of the features described here may not exist in your product.

### **The refrigerator does not operate.**

- The plug is not inserted into the socket correctly. >>>Insert the plug into the socket securely.
- The fuse of the socket which your refrigerator is connected to or the main fuse have blown out. >>>Check the fuse.

### **Condensation on the side wall of the fridge compartment (MULTIZONE, COOL CONTROL and FLEXI ZONE).**

- Ambient is very cold. >>>
- Door has been opened frequently. >>>
- Ambient is very humid. >>>
- Food containing liquid is stored in open containers. >>>
- Door of the refrigerator is left ajar. >>>Close the door of the refrigerator.
- Thermostat is set to a very cold level. >>>Set the thermostat to a suitable level.

### **Compressor is not running**

- Protective thermic of the compressor will blow out during sudden power failures or plug-out plug-ins as the refrigerant pressure in the cooling system of the refrigerator has not been balanced yet. The refrigerator will start running approximately after 6 minutes. Please call the service if the refrigerator does not startup at the end of this period.
- The fridge is in defrost cycle. >>>This is normal for a full-automatically defrosting refrigerator. Defrosting cycle occurs periodically.
- The refrigerator is not plugged into the socket. >>>Make sure that the plug is fit into the socket.
- Temperature settings are not made correctly. >>>Select the suitable temperature value.
- There is a power outage. >>>Refrigerator returns to normal operation when the power restores.

### **The operation noise increases when the refrigerator is running.**

- The operating performance of the refrigerator may change due to the changes in the ambient temperature. It is normal and not a fault.

**The refrigerator is running frequently or for a long time.**

- New product may be wider than the previous one. Larger refrigerators operate for a longer period of time.
- The room temperature may be high. >>>It is normal that the product operates for longer periods in hot ambient.
- The refrigerator might be plugged in recently or might be loaded with food. >>>When the refrigerator is plugged in or loaded with food recently, it will take longer for it to attain the set temperature. This is normal.
- Large amounts of hot food might be put in the refrigerator recently. >>>
- Doors might be opened frequently or left ajar for a long time. >>>The warm air that has entered into the refrigerator causes the refrigerator to run for longer periods.
- Freezer or fridge compartment door might be left ajar. >>>Check if the doors are closed completely.
- The refrigerator is adjusted to a very low temperature. >>>Adjust the refrigerator temperature to a warmer degree and wait until the temperature is achieved.
- Door seal of the fridge or freezer may be soiled, worn out, broken or not properly seated. >>>Clean or replace the seal. Damaged/broken seal causes the refrigerator to run for a longer period of time in order to maintain the current temperature.

**Freezer temperature is very low while the fridge temperature is sufficient.**

- The freezer temperature is adjusted to a very low value. >>>Adjust the freezer temperature to a warmer degree and check.

**Fridge temperature is very low while the freezer temperature is sufficient.**

- The fridge temperature is adjusted to a very low value. >>>Adjust the fridge temperature to a warmer degree and check.

**Food kept in the fridge compartment drawers is frozen.**

- The fridge temperature is adjusted to a very high value. >>>Adjust the fridge temperature to a lower value and check.

**Temperature in the fridge or freezer is very high.**

- The fridge temperature is adjusted to a very high value. >>>Fridge compartment temperature setting has an effect on the temperature of the freezer. Change the temperatures of the fridge or freezer and wait until the relevant compartments attain a sufficient temperature.
- Doors are opened frequently or left ajar for a long time. >>>
- Door is ajar. >>>Close the door completely.
- The refrigerator is plugged in or loaded with food recently. >>>This is normal. When the refrigerator is plugged in or loaded with food recently, it will take longer for it to attain the set temperature.
- Large amounts of hot food might be put in the refrigerator recently. >>>

<b>Vibrations or noise.</b>
<ul style="list-style-type: none"> <li>• The floor is not level or stable. &gt;&gt;&gt; If the refrigerator rocks when moved slowly, balance it by adjusting its feet. Also make sure that the floor is strong enough to carry the refrigerator, and level.</li> <li>• The items put onto the refrigerator may cause noise. &gt;&gt;&gt;Remove the items on top of the refrigerator.</li> </ul>
<b>There are noises coming from the refrigerator like liquid flowing, spraying, etc.</b>
<ul style="list-style-type: none"> <li>• Liquid and gas flows occur in accordance with the operating principles of your refrigerator. It is normal and not a fault.</li> </ul>
<b>Whistle comes from the refrigerator.</b>
<ul style="list-style-type: none"> <li>• Fans are used in order to cool the refrigerator. It is normal and not a fault.</li> </ul>
<b>Condensation on the inner walls of refrigerator.</b>
<ul style="list-style-type: none"> <li>• Hot and humid weather increases icing and condensation. It is normal and not a fault.</li> <li>• Doors are opened frequently or left ajar for a long time. &gt;&gt;&gt; Close them if they are open.</li> <li>• Door is ajar. &gt;&gt;&gt;Close the door completely.</li> </ul>
<b>Humidity occurs on the outside of the refrigerator or between the doors.</b>
<ul style="list-style-type: none"> <li>• There might be humidity in the air; this is quite normal in humid weather. When the humidity is less, condensation will disappear.</li> </ul>
<b>Bad odour inside the refrigerator.</b>
<ul style="list-style-type: none"> <li>• No regular cleaning is performed. &gt;&gt;&gt;Clean the inside of the refrigerator regularly with a sponge, lukewarm water or carbonate dissolved in water.</li> <li>• Some containers or package materials may cause the smell. &gt;&gt;&gt;Use a different container or different brand packaging material.</li> <li>• Food is put into the refrigerator in uncovered containers. &gt;&gt;&gt;Keep the food in closed containers. Microorganisms spreading out from uncovered containers can cause unpleasant odours.</li> <li>• Remove the foods that have expired best before dates and spoiled from the refrigerator.</li> </ul>
<b>The door is not closing.</b>
<ul style="list-style-type: none"> <li>• Food packages are preventing the door from closing. &gt;&gt;&gt;Replace the packages that are obstructing the door.</li> <li>• The refrigerator is not completely even on the floor. &gt;&gt;&gt;Adjust the feet to balance the refrigerator.</li> <li>• The floor is not level or strong. &gt;&gt;&gt;Make sure that the floor is level and capable to carry the refrigerator.</li> </ul>
<b>Crispers are stuck.</b>
<ul style="list-style-type: none"> <li>• The food is touching the ceiling of the drawer. &gt;&gt;&gt;Rearrange food in the drawer.</li> </ul>

## DISCLAIMER / WARNING

Some (simple failures can be adequately handled by the end-user without any safety issue or unsafe use arising, provided that they are carried out within the limits and in accordance with the following instructions (see the “Self-Repair” section.

Therefore, unless otherwise authorized in the “Self-Repair” section below, repairs shall be addressed to registered professional repairers in order to avoid safety issues. A registered professional repairer is a professional repairer that has been granted access to the instructions and spare parts list of this product by the manufacturer according to the methods described in legislative acts pursuant to Directive 2009/125/EC.

**However, only the service agent (i.e. authorized professional repairers that you can reach through the phone number given in the user manual/warranty card or through your authorized dealer may provide service under the guarantee terms. Therefore, please be advised that repairs by professional repairers (who are not authorized by manufacturer / seller shall void the guarantee.**

### Self-Repair

Self-repair can be done by the end-user with regard to the following spare parts: door handles, door hinges, trays, baskets and door gaskets (an updated list is also available in web as of 1st March 2021.

Moreover, to ensure product safety and to prevent risk of serious injury, the mentioned self-repair shall be done following the instructions in the user manual for self-repair or which are available in web. For your safety, unplug the product before attempting any self-repair.

Repair and repair attempts by end-users for parts not included in such list and/ or not following the instructions in the user manuals for self-repair or which are available in web, might give raise to safety issues not attributable to manufacturer / seller, and will void the warranty of the product.

Therefore, it is highly recommended that end-users refrain from the attempt to carry out repairs falling outside the mentioned list of spare parts, contacting in such cases authorized professional repairers or registered professional repairers. On the contrary, such attempts by end-users may cause safety issues and damage the product and subsequently cause fire, flood, electrocution and serious personal injury to occur.

By way of example, but not limited to, the following repairs must be addressed to authorized professional repairers or registered professional repairers: compressor, cooling circuit, main board, inverter board, display board, etc.

**Chère cliente, cher client,**

---

**Veillez lire attentivement ce manuel avant d'utiliser l'appareil.**

Merci d'avoir choisi ce produit.

Veillez enregistrer votre appareil sur [www.register10.eu](http://www.register10.eu)

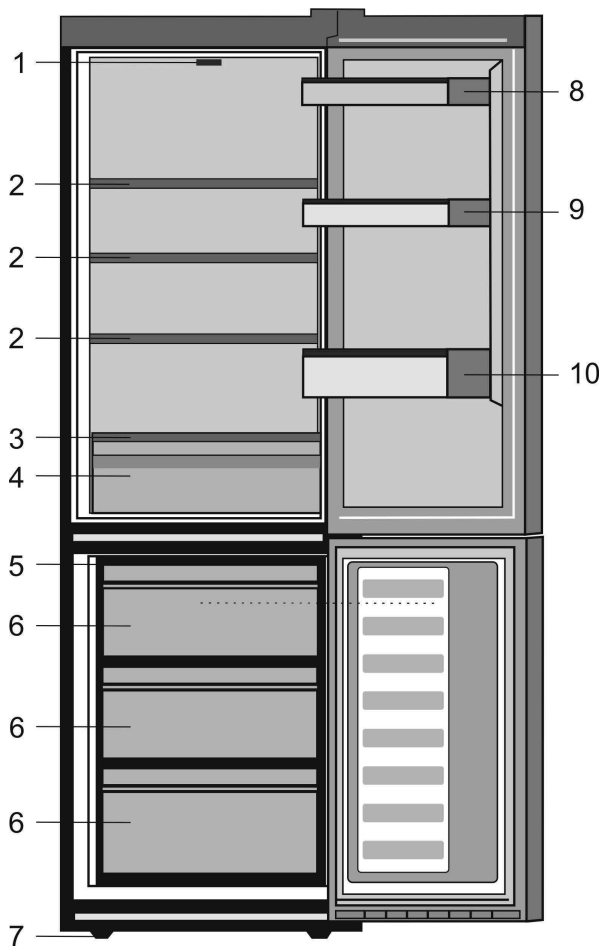
Nous aimerions vous faire profiter de la meilleure expérience possible avec ce produit de haute qualité, qui a été fabriqué grâce à une technologie de pointe. À cet effet, veuillez lire en intégralité le manuel d'utilisation avant d'utiliser cet appareil, et conservez-le pour références ultérieures. Prenez en compte toutes les informations et les avertissements contenus dans ce manuel. Cela vous protégera vous et votre produit contre tout éventuel danger. Conservez le manuel d'utilisation. Si vous offrez cet appareil à une autre personne, remettez-lui également le manuel d'utilisation.

## TABLE DES MATIÈRES

---

<b>1 Votre réfrigérateur</b>	<b>3</b>	<b>3 Préparation</b>	<b>6</b>
<b>2 Installation</b>	<b>4</b>	<b>4 Utilisation du réfrigérateur</b>	<b>7</b>
Éléments à prendre en considération lors du déménagement de votre réfrigérateur .....	4	Réglage de la température .....	7
Avant de mettre votre réfrigérateur en marche,.....	4	Dégivrer.....	7
Branchements électriques .....	4	Congélation d'aliments frais .....	7
Mise au rebut de l'emballage .....	4	Réversibilité de la porte .....	9
Mise au rebut de votre ancien réfrigérateur .....	5	Recommandations concernant la conservation des aliments congelés	10
Disposition et Installation.....	5	Recommandations relatives au compartiment des produits frais .....	10
Remplacement de l'ampoule .....	5	<b>5 Entretien et nettoyage</b>	<b>11</b>
Réglage des pieds.....	5	Protection des surfaces en plastique	11
		<b>6 Dépannage</b>	<b>12</b>

# 1 Votre réfrigérateur



- |  |   |
|--|---|
| 1. Manette de réglage et éclairage intérieur | 6. Compartiment de conservation des aliments congelés |
| 2. Clayettes réglables                       | 7. Pieds avant réglables                              |
| 3. Dessus de bac à légumes                   | 8. Casier à œufs                                      |
| 4. Bac à légumes                             | 9. Balconnet à bocaux                                 |
| 5. Bacs à glaçons et support                 | 10. Balconnet range-bouteilles                        |

### Éléments à prendre en considération lors du déménagement de votre réfrigérateur

1. Votre réfrigérateur doit être débranché. Avant le transport de votre réfrigérateur, vous devez le vider et le nettoyer
2. Avant d'emballer votre réfrigérateur, vous devez fixer ses étagères, bac, accessoires, etc. avec du ruban adhésif afin de les protéger contre les chocs. L'emballage doit être solidement attaché avec du ruban adhésif épais ou avec un cordage solide. La réglementation en matière de transport et de marquage de l'emballage doit être strictement respectée.
3. L'emballage et les matériaux de protection d'emballage doivent être conservés pour les éventuels transports ou déplacements à venir.

### Avant de mettre votre réfrigérateur en marche,

Vérifiez les points suivants avant de commencer à utiliser votre réfrigérateur :

1. Nettoyez l'intérieur du réfrigérateur tel qu'indiqué dans la section « Entretien et nettoyage ».
2. Insérez la prise du réfrigérateur dans la prise murale. Lorsque la porte du réfrigérateur est ouverte, la lampe interne du réfrigérateur s'éclaire.
3. Lorsque le compresseur commence à fonctionner, il émettra un son. Le liquide et les gaz intégrés au système du réfrigérateur peuvent également faire du bruit, que le compresseur soit en marche ou non. Ceci est tout à fait normal.

4. Les parties antérieures du réfrigérateur peuvent chauffer. Ce phénomène est normal. Ces zones doivent en principe être chaudes pour éviter tout risque de condensation.

### Branchement électrique

Branchez votre réfrigérateur à une prise de mise à la terre protégée par un fusible ayant une capacité appropriée. Important :

Le branchement doit être conforme aux normes en vigueur sur le territoire national.

- La fiche du câble d'alimentation doit être facilement accessible après installation.
- La sécurité électrique du réfrigérateur n'est assurée que si le système de mise à la terre de votre domicile est conforme aux normes en vigueur.
- La tension indiquée sur l'étiquette située sur la paroi gauche interne de votre produit doit correspondre à celle fournie par votre réseau électrique.
- **Les rallonges et multiprises ne doivent pas être utilisés pour brancher l'appareil.**

Un câble d'alimentation endommagé doit être remplacé par un électricien qualifié.

L'appareil ne doit pas être mis en service avant d'être réparé ! Cette précaution permet d'éviter tout risque de choc électrique !

### Mise au rebut de l'emballage

Les matériaux d'emballage peuvent être dangereux pour les enfants. Tenez les matériaux d'emballage hors de portée des enfants ou jetez-les conformément aux consignes établies par les autorités locales en matière de déchets.

Ne les jetez pas avec les déchets domestiques, déposez-les dans les centres de collecte désignés par les autorités locales.

L'emballage de votre appareil est produit à partir de matériaux recyclables.

## Mise au rebut de votre ancien réfrigérateur

Débarressez-vous de votre ancien réfrigérateur sans nuire à l'environnement.

- Vous pouvez consulter le service après-vente agréé ou le centre chargé de la mise au rebut dans votre municipalité pour en savoir plus sur la mise au rebut de votre produit.

Avant de procéder à la mise au rebut de votre machine, coupez la prise électrique et, le cas échéant, tout verrouillage susceptible de se trouver sur la porte.

## Disposition et Installation

Si la porte d'entrée de la pièce où sera installé le réfrigérateur n'est pas assez large pour laisser passer le réfrigérateur, appelez le service après-vente qui retirera les portes du réfrigérateur et le fera entrer latéralement dans la pièce.

1. Installez le réfrigérateur dans un emplacement qui permette une utilisation pratique.
2. Maintenez le réfrigérateur éloigné de toutes sources de chaleur, des endroits humides et de la lumière directe du soleil.
3. Une ventilation d'air autour du réfrigérateur doit être aménagée pour obtenir un fonctionnement efficace. Si le réfrigérateur est placé dans un enfoncement du mur, il doit y avoir un espace d'au moins 5 cm avec le plafond et d'au moins 5 cm avec le mur.

Ne placez pas l'appareil sur des revêtements tels qu'un tapis ou de la moquette.

4. Placez le réfrigérateur sur une surface plane afin qu'il soit stable.

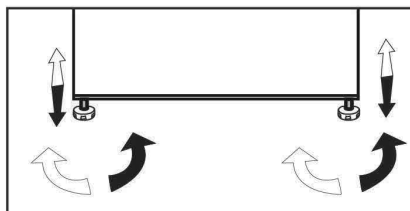
## Remplacement de l'ampoule

Pour remplacer l'ampoule LED du réfrigérateur, veuillez contacter le service après-vente agréé.

L'ampoule (s) utilisé dans cet appareil ne convient pas pour l'éclairage de la cuisine. Le but visé par cette lampe est d'aider à l'utilisateur de placer les aliments dans le réfrigérateur / congélateur d'une manière sûre et confortable. Les voyants utilisés dans cet appareil doivent résister aux conditions physiques extrêmes telles que des températures inférieures à  $-20^{\circ}\text{C}$ .

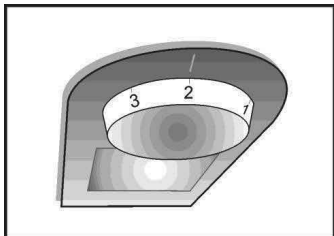
## Réglage des pieds

Si le réfrigérateur n'est pas stable. Vous pouvez équilibrer le réfrigérateur en tournant les pieds avant, tel qu'illustré sur le schéma. Le côté où se trouve le pied s'abaisse lorsque vous tournez dans le sens de la flèche noire, et s'élève lorsque vous tournez dans le sens opposé. Si vous vous faites aider par quelqu'un pour légèrement soulever le réfrigérateur, l'opération s'en trouvera simplifiée.



- Votre réfrigérateur doit être installé à au moins 30 cm des sources de chaleur telles que les plaques de cuisson, les fours, appareils de chauffage ou cuisinières, et à au moins 5 cm des fours électriques. De même, il ne doit pas être exposé à la lumière directe du soleil.
- La température ambiante de la pièce où vous installez le réfrigérateur doit être d'au moins 10°C. Faire fonctionner l'appareil sous des températures inférieures n'est pas recommandé et pourrait nuire à son efficacité.
- Veuillez vous assurer que l'intérieur de votre appareil est soigneusement nettoyé.
- Si deux réfrigérateurs sont installés côte à côte, ils doivent être séparés d'au moins 2 cm.
- Lorsque vous faites fonctionner le réfrigérateur pour la première fois, assurez-vous de suivre les instructions suivantes pendant les six premières heures.
- La porte ne doit pas être ouverte fréquemment.
- Le réfrigérateur doit fonctionner à vide, sans denrées à l'intérieur.
- Panne de courant se produit, veuillez vous reporter aux avertissements de la section « Solutions recommandées aux problèmes ».
- L'emballage et les matériaux de protection d'emballage doivent être conservés pour les éventuels transports ou déplacements à venir.

## 4 Utilisation du réfrigérateur



### Réglage de la température

La commande du thermostat se trouve sur le bandeau supérieur du réfrigérateur.

#### Important:

Lorsque vous ajustez la température définie sur la touche congélation rapide, il peut y avoir un délai avant que le compresseur se mette en marche. Cela est normal et n'est pas un défaut du compresseur.

La température intérieure est réglée par le thermostat.

Les températures obtenues à l'intérieur de l'armoire peuvent varier en fonction des conditions d'utilisation: emplacement, température ambiante, fréquence de l'ouverture des portes, quantité de denrées à l'intérieur.

En général, pour une température ambiante de +25°C, la manette du thermostat sera placée sur une position moyenne.

Le thermostat assure aussi le dégivrage automatique de la partie réfrigérateur.

Évitez un réglage qui pourrait provoquer une marche continue : la température intérieure pourrait baisser en dessous de 0°C d'où un risque de prise en glace des boissons et une formation excessive de givre sur les parois ainsi qu'une augmentation de la consommation d'électricité.

### Dégivrer

#### A) Compartiment réfrigérateur

Le compartiment réfrigérateur dégivre automatiquement. L'eau de dégivrage s'évacue par le tube d'écoulement et se déverse dans le bac de récupération à l'arrière de l'appareil.

Pendant le dégivrage, des gouttelettes d'eau peuvent se former à l'arrière du compartiment réfrigérateur, où un évaporateur est dissimulé. Des gouttelettes peuvent rester sur la cuve et geler une fois le dégivrage achevé.

N'utilisez pas d'objets pointus ou tranchants tels que couteaux ou fourchettes pour enlever les gouttelettes ayant gelé à nouveau.

Si, à tout moment, l'eau de dégivrage ne s'évacue pas par la gouttière de récupération, vérifiez qu'aucune particule alimentaire ne bloque le tube d'écoulement. Le tube d'écoulement peut être débouché à l'aide d'un cure-pipe ou autre outil similaire.

Vérifiez que le tube soit placé de façon permanente de telle manière que son extrémité se trouve dans le bac récupérateur situé sur le compresseur afin d'éviter que l'eau n'entre en contact avec l'installation électrique ou le sol.

#### B) Compartiment congélateur

Le dégivrage est très simple et sans encombre grâce au bac spécial de récupération de l'eau de dégivrage. Dégivrez deux fois par an ou lorsque la couche de givre atteint environ 7 mm (1/4"). Pour procéder au dégivrage, déconnectez l'appareil et débranchez la prise d'alimentation.

Emballez les denrées dans plusieurs couches de papier journal et stockez-les dans un endroit frais (réfrigérateur ou cellier par exemple).

Des récipients d'eau chaude peuvent être placés avec précaution dans le congélateur pour accélérer le dégivrage. N'utilisez pas d'objets pointus ou tranchants tels que couteaux ou fourchettes pour enlever le givre. Épongez l'eau de dégivrage située au fond du compartiment congélateur. Une fois le dégivrage terminé, séchez soigneusement l'intérieur. Branchez l'appareil à la prise murale et rétablissez l'alimentation électrique.

## **Congélation d'aliments frais**

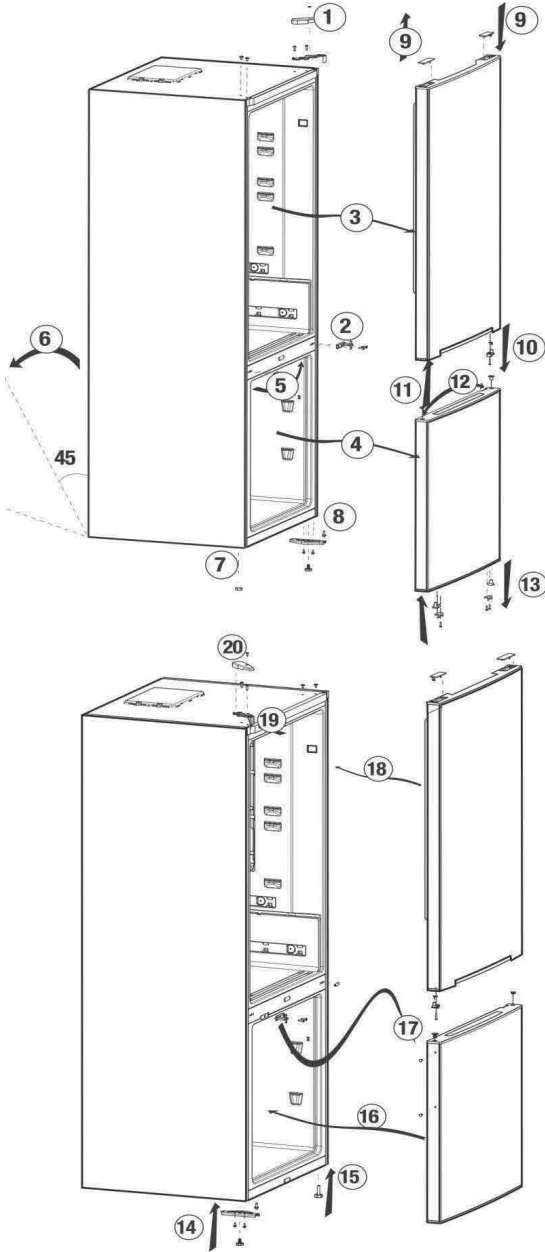
- Enveloppez ou couvrez vos aliments avant de les placer au réfrigérateur.
- Laissez refroidir les aliments à la température ambiante avant de les introduire dans le réfrigérateur.
- Les denrées que vous souhaitez surgeler doivent être fraîches et en bon état.
- Il est conseillé de séparer les denrées en portions en fonction des besoins quotidiens de votre famille ou par repas.
- Les denrées doivent être emballées hermétiquement afin d'éviter qu'elles ne s'assèchent, même si elles ne doivent être conservées qu'une courte période.
- Les matériaux servant à emballer vos denrées doivent résister au froid et à l'humidité, et doivent être hermétiques. Le matériau d'emballage de vos denrées doit être suffisamment épais et doit pouvoir être conservé sur une longue période. Dans le cas contraire, les denrées endurcies par la congélation pourraient perforer l'emballage. Il est essentiel pour l'emballage d'être bien fermé pour une conservation sécurisée de vos denrées.

- Les aliments congelés doivent être consommés immédiatement après leur décongélation et ils ne doivent pas être recongelés.
- Le fait d'introduire des aliments chauds dans le congélateur entraîne le fonctionnement du système de refroidissement en continu jusqu'à ce que les aliments soient entièrement congelés.
- Veuillez respecter les instructions suivantes afin d'obtenir les meilleurs résultats.

- 1.** Ne congelez pas une quantité trop importante à la fois. La qualité des aliments est préservée de façon optimale lorsqu'ils sont entièrement congelés aussi rapidement que possible.
- 2.** Assurez-vous que les aliments crus ne sont pas en contact avec les cuits dans le réfrigérateur.
- 3.** Vous pouvez conserver le maximum d'aliments congelés sans recourir aux étagères du compartiment du congélateur. La consommation énergétique de votre appareil est enclenchée alors que le compartiment du congélateur est entièrement chargé sans utiliser les tiroirs.
- 4.** Il est recommandé de placer les aliments au dessus de la clayette du congélateur pour une première congélation.

# Réversibilité de la porte

Procédez suivant l'ordre numérique

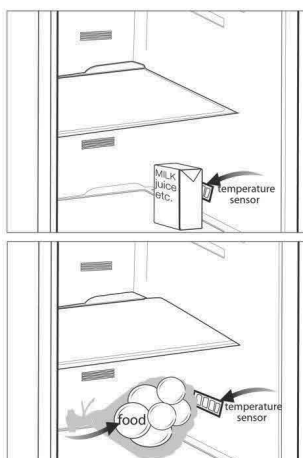


## Recommandations concernant la conservation des aliments congelés

- Les aliments vendus préemballés et surgelés doivent être conservés conformément aux instructions du fabricant de produits congelés, dans le compartiment destiné au stockage des produits congelés.
- Afin de veiller à ce que la qualité supérieure recherchée par le fabricant et le détaillant des produits congelés soit atteinte, il convient de se rappeler les points suivants :
  1. Mettre les emballages dans le congélateur aussi rapidement que possible après achat.
  2. Assurez-vous que le contenu emballé est correctement étiqueté et daté.
  3. Ne dépassez pas les dates « à consommer jusqu'au » et « à consommer de préférence avant le » figurant sur l'emballage.

## Recommandations relatives au compartiment des produits frais \*en option

- Faites attention à ce que les aliments ne touchent pas le capteur de température dans le Compartiment 0/3 degré. Pour que le Compartiment 0/3 degré conserve sa température idéale, le capteur ne doit pas être encombré par des aliments.
- Ne placez pas de denrées chaudes dans votre appareil.



Nous vous recommandons de débrancher l'appareil avant de procéder au nettoyage.

Utilisez de l'eau tiède pour nettoyer la carrosserie du réfrigérateur et séchez-la soigneusement à l'aide d'un chiffon.

Utilisez un chiffon humide imbibé d'une solution composée d'une cuillère à café de bicarbonate de soude pour un demi litre d'eau pour nettoyer l'intérieur et séchez soigneusement.

Ne faites pas couler d'eau dans le logement de la lampe et dans d'autres éléments électriques.

En cas de non utilisation de votre réfrigérateur pendant une période prolongée, débranchez le câble d'alimentation, sortez toutes les denrées, nettoyez-le et laissez la porte entrouverte.

Inspectez les joints de porte régulièrement pour vérifier qu'ils sont propres et qu'il n'y a pas de particules de nourriture.

Pour retirer les balconnets de portes, sortez tout son contenu puis poussez simplement le balconnet vers le haut à partir de la base.

Le chlore entraîne la corrosion de ces surfaces métalliques.

### **Protection des surfaces en plastique.**

Ne placez pas d'huiles ou de plats huileux dans le réfrigérateur dans des récipients non fermés, car les graisses peuvent endommager les surfaces en plastique du réfrigérateur. Si vous versez ou éclaboussez de l'huile sur les surfaces en plastique, nettoyez et lavez les parties souillées avec de l'eau chaude immédiatement.

Veillez vérifier la liste suivante avant d'appeler le service après-vente. Cela peut vous faire économiser du temps et de l'argent. Cette liste regroupe les problèmes les plus fréquents ne provenant pas d'un défaut de fabrication ou d'utilisation du matériel. Il se peut que certaines des fonctions décrites ne soient pas présentes sur votre produit.

### **Le réfrigérateur ne fonctionne pas.**

- La fiche n'est pas insérée correctement dans la prise de courant. >>>Insérez correctement la fiche dans la prise de courant.
- Est-ce que le fusible ou la douille de raccord du réfrigérateur sont connectés ou est-ce que le fusible principal a sauté ? >>>Vérifiez le fusible.

### **Condensation sur la paroi intérieure du compartiment réfrigérateur. (MULTIZONE, COOL CONTROL et FLEXI ZONE).**

- La température ambiante est très froide >>>N'installez pas le réfrigérateur dans des endroits où la température peut être inférieure à 10°C.
- La porte a été ouverte souvent. >>>Évitez d'ouvrir et de fermer trop fréquemment la porte du réfrigérateur.
- L'environnement est très humide. >>>N'installez pas votre réfrigérateur dans des endroits très humides.
- La nourriture contenant du liquide est conservée dans des récipients ouverts. >>>Ne conservez pas de la nourriture contenant du liquide dans des récipients ouverts.
- La porte du réfrigérateur est laissée entrouverte. >>>Fermez la porte du réfrigérateur.
- Le thermostat est réglé à un niveau très froid. >>>Réglez le thermostat à un niveau adapté.

### **Le compresseur ne fonctionne pas.**

- Le dispositif de protection thermique du compresseur sautera en cas de coupures soudaines du courant ou de débranchement intempestif, en effet la pression du liquide réfrigérant du système de refroidissement ne sera pas équilibrée. Le réfrigérateur recommencera à fonctionner normalement après 6 minutes environ. Veuillez contacter le service après-vente si le réfrigérateur ne redémarre pas après cette période.
- Le réfrigérateur est en mode de dégivrage. >>>Cela est normal pour un réfrigérateur à dégivrage semi-automatique. Le cycle de dégivrage se déclenche régulièrement.
- Le réfrigérateur n'est pas branché à la prise. >>>Assurez-vous que la prise est branchée dans la prise murale.
- Les réglages de température ne sont pas effectués correctement. >>>Sélectionnez la température appropriée.
- Il y a une panne de courant. >>>Le réfrigérateur recommence à fonctionner normalement après le retour du courant.

### **Le niveau sonore augmente lorsque le réfrigérateur est en marche.**

- Les caractéristiques de performance du réfrigérateur peuvent changer en raison des variations de la température ambiante. Cela est normal et n'est pas un défaut.

### **Le réfrigérateur fonctionne fréquemment ou pendant de longues périodes.**

- Votre nouveau réfrigérateur est peut-être plus large que l'ancien. Les grands réfrigérateurs durent plus longtemps.
- La température de la pièce est probablement **élevée**. >>>Il est normal que l'appareil fonctionne plus longtemps quand la température ambiante est élevée.
- Le réfrigérateur pourrait y avoir été branché tout récemment ou pourrait avoir été chargé de denrées alimentaires.  
>>>Quand le réfrigérateur a été branché ou récemment rempli avec de la nourriture, il met plus de temps à atteindre la température réglée. Ce phénomène est normal.
- D'importantes quantités de denrées chaudes ont peut-être été introduites dans le réfrigérateur récemment. >>>Ne mettez pas de nourriture chaude dans le réfrigérateur.
- Les portes ont peut-être été ouvertes fréquemment ou laissées entrouvertes pendant une durée prolongée. >>>L'air chaud qui entre dans l'appareil oblige le réfrigérateur à travailler sur de plus longues périodes. N'ouvrez pas les portes fréquemment.
- La porte du congélateur ou du réfrigérateur est probablement entrouverte. >>>Vérifiez que les portes sont bien fermées.
- Le réfrigérateur est réglé à une température très basse. >>>Réglez la température du réfrigérateur à un degré supérieur et attendez que la température réglée soit atteinte.
- Le joint de la porte du réfrigérateur ou du congélateur peut être sale, déchiré, rompu ou mal en place. >>>Nettoyez ou remplacez le joint. Tout joint endommagé/déchiré fait fonctionner le réfrigérateur pendant une période de temps plus longue afin de conserver la température actuelle.

### **La température du congélateur est très basse alors que celle du réfrigérateur est correcte.**

- La température du congélateur est réglée à une température très basse. >>>Réglez la température du congélateur à un degré supérieur et vérifiez.

### **La température du réfrigérateur est très basse alors que celle du congélateur est correcte.**

- La température du réfrigérateur est réglée à une température très basse. >>>Réglez la température du réfrigérateur à un degré supérieur et vérifiez.

### **Les denrées conservées dans les tiroirs du compartiment de réfrigération sont congelées.**

- La température du réfrigérateur est réglée à une température très élevée. >>>Réglez la température du réfrigérateur à un niveau inférieur et vérifiez.

### **La température dans le réfrigérateur ou le congélateur est très élevée.**

- La température du réfrigérateur est réglée à une température très élevée. >>>Le réglage du compartiment réfrigérant a un effet sur la température du congélateur. Changez les températures du réfrigérateur ou du congélateur et attendez que les compartiments atteignent une température suffisante.
- Les portes ont peut-être été ouvertes fréquemment ou laissées entrouvertes pendant une durée prolongée. >>>N'ouvrez pas les portes fréquemment.
- La porte est entrouverte. >>>Refermez complètement la porte.
- Le réfrigérateur a été récemment branché ou rempli avec de la nourriture. >>>Ce phénomène est normal.  
Lorsque le réfrigérateur vient d'être branché ou récemment rempli avec de la nourriture, il met plus de temps à atteindre la température réglée.
- D'importantes quantités de denrées chaudes ont peut-être été introduites dans le réfrigérateur récemment. >>>Ne mettez pas de nourriture chaude dans le réfrigérateur.

<b>Vibrations ou bruits</b>
<ul style="list-style-type: none"> <li>• Le sol n'est pas plat ou stable. &gt;&gt;&gt;Si le réfrigérateur balance lorsqu'il est déplacé lentement, équilibrez-le en ajustant sa base. Assurez-vous que le sol est plat et suffisamment solide pour supporter le poids et le volume de l'appareil.</li> <li>• Les éléments placés sur le réfrigérateur peuvent faire du bruit. &gt;&gt;&gt;Enlevez les éléments du haut du réfrigérateur.</li> </ul>
<b>Le réfrigérateur produit des bruits semblables à de l'eau qui coule, à la pulvérisation d'un liquide, etc.</b>
<ul style="list-style-type: none"> <li>• Des écoulements de gaz et de liquides surviennent dans le réfrigérateur, de par ses principes de fonctionnement Cela est normal et n'est pas un défaut.</li> </ul>
<b>Un sifflement sort du réfrigérateur.</b>
<ul style="list-style-type: none"> <li>• Les ventilateurs sont utilisés pour refroidir le réfrigérateur. Cela est normal et n'est pas un défaut.</li> </ul>
<b>Condensation sur les parois intérieures du réfrigérateur.</b>
<ul style="list-style-type: none"> <li>• Un temps chaud et humide augmente la formation de givre et de condensation. Cela est normal et n'est pas un défaut.</li> <li>• Les portes ont peut être été ouvertes fréquemment ou laissées entrouvertes pendant une durée prolongée. &gt;&gt;&gt;N'ouvrez pas les portes fréquemment. Refermez-les si elles sont ouvertes.</li> <li>• La porte est entrouverte. &gt;&gt;&gt;Refermez complètement la porte.</li> </ul>
<b>De l'humidité est présente à l'extérieur ou entre les portes du réfrigérateur.</b>
<ul style="list-style-type: none"> <li>• Il y a peut être de l'humidité dans l'air ; ceci est tout à fait normal par un temps humide. Lorsque l'humidité est faible, la condensation disparaîtra.</li> </ul>
<b>Présence d'une mauvaise odeur dans le réfrigérateur.</b>
<ul style="list-style-type: none"> <li>• Il n'y a pas de nettoyage régulier effectué. &gt;&gt;&gt;Nettoyez régulièrement l'intérieur du réfrigérateur avec une éponge, de l'eau tiède ou du carbonate dissout dans l'eau.</li> <li>• Certains récipients ou matériaux d'emballage peuvent provoquer ces odeurs. &gt;&gt;&gt;Utilisez un autre récipient ou changez de marque de matériau d'emballage.</li> <li>• Les denrées sont mises au réfrigérateur dans des récipients sans couvercle. &gt;&gt;&gt;Conservez les aliments liquides dans des récipients fermés. Les micro-organismes issus de récipients non fermés peuvent dégager des odeurs désagréables.</li> <li>• Enlevez les aliments périmés et pourris du réfrigérateur.</li> </ul>
<b>La porte ne se ferme pas.</b>
<ul style="list-style-type: none"> <li>• Des récipients empêchent la fermeture de la porte. &gt;&gt;&gt;Retirez les emballages qui obstruent la porte.</li> <li>• Le réfrigérateur n'est pas complètement vertical sur le sol. &gt;&gt;&gt;Ajustez les pieds du réfrigérateur pour l'équilibrer.</li> <li>• Le sol n'est pas plat ou solide. &gt;&gt;&gt;Assurez-vous que le sol est plat et qu'il peut supporter le poids du réfrigérateur.</li> </ul>
<b>Les bacs à légumes sont coincés.</b>
<ul style="list-style-type: none"> <li>• Il se peut que les denrées touchent le plafond du tiroir. &gt;&gt;&gt;Disposez à nouveau les denrées dans le tiroir.</li> </ul>

## **CLAUSE DE NON-RESPONSABILITÉ / AVERTISSEMENT**

L'utilisateur peut remédier à certaines défaillances (simples) sans que cela ne présente de problème de sécurité ou d'utilisation dangereuse, si ces réparations sont effectuées en respectant les limites et les instructions suivantes (cf. la section « Auto-réparation »).

Dès lors, sauf autorisation contraire dans la section « Auto-réparation » ci-dessous, les réparations doivent être réalisées par des réparateurs professionnels agréés afin d'éviter tout problème de sécurité. Un réparateur professionnel agréé est un réparateur professionnel à qui le fabricant a donné accès aux instructions et à la liste des pièces détachées de ce produit selon les méthodes décrites dans les actes législatifs en application de la directive 2009/125/CE.

**Cependant, seul l'agent de service (c'est-à-dire le réparateur professionnel agréé) joignable au numéro se trouvant indiqué dans le manuel d'utilisation/ carte de garantie ou par l'intermédiaire de votre revendeur peut fournir un service dans le cadre des conditions de garantie. Par conséquent, veuillez noter que les réparations effectuées par des réparateurs professionnels (qui ne sont pas autorisés par le fabricant/vendeur) annuleront la garantie.**

### **Auto-réparation**

L'utilisateur final peut effectuer lui-même des réparations sur les pièces de rechange ci-après : poignées de porte, charnières de porte, plateaux, paniers et joints de porte (une liste mise à jour est également disponible à l'adresse web au 1er mars 2021).

De plus, pour garantir la sécurité du produit et éviter tout risque de blessure grave, l'auto-réparation doit être réalisée en suivant les instructions du manuel d'utilisation concernant l'auto-réparation ou celles disponibles à l'adresse web. Pour votre sécurité, débranchez le produit avant d'entamer une auto-réparation.

Les réparations et tentatives de réparation effectuées par l'utilisateur final sur des parties ne figurant pas dans cette liste et/ou en ne respectant pas les instructions des manuels d'utilisation pour les auto-réparations ou celles disponibles sur web, pourraient donner lieu à des problèmes de sécurité non imputables à le fabricant/vendeur, et annuleront la garantie du produit.

C'est pourquoi il est fortement recommandé aux utilisateurs finaux de s'abstenir de tenter d'effectuer des réparations ne figurant pas sur la liste des pièces de rechange mentionnée ci-dessus, et de contacter des réparateurs professionnels autorisés ou agréés. Dans le cas contraire, de telles tentatives réalisées par les utilisateurs finaux peuvent provoquer des problèmes de sécurité, endommager le produit et, par la suite, entraîner un incendie, une inondation, une électrocution et des blessures corporelles graves.

Les réparations de la liste non exhaustive suivantes doivent être effectuées par des réparateurs professionnels autorisés ou agréés : compresseur, circuit de refroidissement, carte mère, carte de convertisseur, carte d'affichage, etc.

Le fabricant/vendeur ne peut être tenu responsable dans tous les cas où les utilisateurs ne se conforment pas à ce qui précède.

---

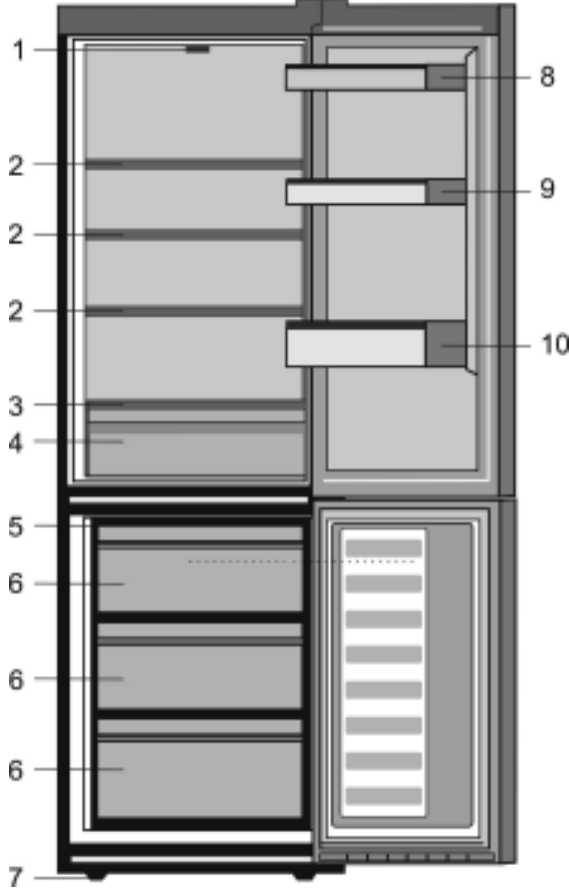
عميلنا العزيز،  
الرجاء قراءة هذا الدليل قبل استخدام المنتج.

شكراً لك على اختيار هذا المنتج.

المنتج الخاص بك على [www.register10.eu](http://www.register10.eu)

نود أن تبلغ المستوى الأمثل من الكفاءة عند استخدام هذا المنتج عالي الجودة الذي صنّع بأحدث التكنولوجيا. ولكي يتحقق ذلك، اقرأ هذا الدليل والوثائق المزودة الأخرى بعناية قبل استخدام المنتج واحتفظ بها كدليل مرجعي. راع جميع المعلومات والتحذيرات الواردة في دليل المستخدم. بهذه الطريقة، ستحمي نفسك ومنتجك من الأخطار المحتمل وقوعها. احتفظ بدليل المستخدم. ضمن هذا الدليل مع الوحدة إذا سلّمتها إلى شخص آخر.

3	<b>الثلاجة</b>
4	<b>التركيب</b>
4	نقاط يجب الإهتمام بها عند الثلاجة
4	قبل بدأ تشغيل الثلاجة
7	التوصيل الكهربائي
4	التخلص من عيوب المنتج
4	التخلص من الثلاجة القديمة
5	الوضع والتركيب
5	استبدال مصباح الإضاءة الداخلي
5	ضبط الركائز
6	<b>العداد</b>
7	<b>استخدام الثلاجة</b>
7	زر ضبط الترومستات
7	إزالة الثلج
9	عكس الأبواب
10	<b>الصيانة والتنظيف</b>
11	<b>حلول مقترحة للمشكلات</b>



- |   |                          |    |   |
|---|--------------------------|----|---|
| ١ | أرفف الباب القابلة للضغط | ٦  | حجرة التجميد السريع                       |
| ٢ | درج البيض                | ٧  | سلة أو درج مشتقات الحليب (التخزين البارد) |
| ٣ | رف الزجاجات              | ٨  | أرفف قابلة للضغط                          |
| ٤ | ركيزة أمامية قابلة للضغط | ٩  | مروحة                                     |
| ٥ | حجيرة المجمد             | ١٠ | مصباح الإضاءة                             |

يجب أن يتوافق التوصيل مع اللوائح الوطنية.  
يجب أن يكون قابس التيار في مكان يسهل الوصول إليه بعد التركيب.

يمكن ضمان السلامة الكهربائية للثلاجة فقط إذا كان نظام التوصيل الرضوي في منزلك يتوافق مع المعايير.

جهد لتيار الكهربي المذکور علی الملصق الموجود على الجانب الداخلي اليسر من المنتج يجب أن يكون مساويًا لجهد الشبكة لديك.

يجب عدم استخدام الوصلات الكهربائية والبساقه متعددة المسالك للتوصيل.

⚠ يجب أن يتم استبدال كابل التيار التالف بواسطة فني الكهرباء المعتمد.

⚠ يجب ألا يتم تشغيل المنتج قبل إصلاحه! حيث يوجد خطر يكمن في التعرض لصدمة كهربائية!

### التخلص من عبوة المنتج

قد تكون مواد التغليف خطرة على الأطفال. احتفظ بمواد التغليف بعيداً عن متناول الأطفال أو تخلص منها بتصنيفها وفقاً لتعليمات التخلص من المخلفات المحددة من السلطات المحلية. لا تتخلص من المخلفات مع مخلفات المنزل العادية. قم بالتخلص منها من خلال نقاط التقاط مواد التعبئة والتغليف المحددة من السلطات المحلية.  
يتم تصنيع حزمة تعبئة الثلاجة من مواد قابلة لإعادة التدوير.

### التخلص من الثلاجة القديمة

تخلص من الجهاز القديم دون إحداث أي ضرر بالبيئة. يمكنك استشارة الوكيل المعتمد لديك أو مركز تجميع النفايات بمدينةتك حول التخلص من الثلاجة لقيامة.

قبل التخلص من الثلاجة، اقطع القابس الكهربائي. وفي حالة وجود أي أقفال على باب الثلاجة، اجعلها غير قابلة للتشغيل لحماية الأطفال من أي خطر.

بفي حالة عدم الأخذ بالمعلومات الواردة بدليل المستخدم في الإعتبار، لا يتحمل المصنع أي مسؤولية نتيجة لهذا.

### نقاط يجب الإهتمام بها عند الثلاجة.

1. يجب نزع القابس، قبل نقل الثلاجة بالمواصلات يجب تفرغها وتنظيفها.

2. قبل إعادة تعبئتها، يجب تثبيت الأرفف والملحقات والدرج... إلخ. داخل الثلاجة بشريط لاصق وتأمينها ضد الصدمات، يجب لف عبوة الثلاجة بشريط سميك أو بحبال سليمة ويجب الالتزام بقواعد نقل عبوة الثلاجة بصرامة.

3. يجب الحفاظ على العبوة الأصلية ومواد التغليف المصاحبة لأغراض النقل المستقبلية أو الانتقال.

### قبل بدأ تشغيل الثلاجة.

يتم تحقق من التالي قبل بدأ تشغيل الثلاجة:

- نظف الجزء الداخلي للثلاجة كما هو موصى به في قسم "الصيانة والتنظيف".
- قم بتوصيل قابس الثلاجة مع مقبس الحائط، عند فتح باب الثلاجة، سيضيء المصباح الداخلي.
- عندما يبدأ المكثف بالعمل، ستسمع صوتاً. قد تؤدي السوائل والغازات المتسربة من جهاز الثلاجة إلى إحداث ضوضاء، حتى إن كان جهاز ضغط الهواء لا يعمل وهذا أمر طبيعي.
- قد يكون ملمس الحواف الأمامية للثلاجة دافئاً، هذا شيء طبيعي. حيث تم تصميم هذه المناطق حتى تكون دافئة تجنّباً للتكاثف.

### التوصيل الكهربائي

صل المنتج بمنفذ توصيل أرضي محمي بمنصهر ذي سعة مناسبة.  
هام:

## الوضع والتركيب

أ إذا كان باب الحجرة التي ستوضع بها التلاجة ضيق بدرجة لا تسمح بمرور التلاجة من خلاله، فاتصل بمركز الصيانة المعتمد لإزالة أبواب التلاجة وتميرها وهي مائلة من الباب.

1. ركب التلاجة في مكان يسمح بسهولة الاستخدام.
2. ضع التلاجة بعيداً عن مصادر الحرارة والمناطق الرطبة وأشعة الشمس المباشرة.

3. يجب أن تتوفر التهوية المناسبة حول التلاجة

للحصول على تشغيل يتسم بالكفاءة، إذا كانت التلاجة ستوضع في تجويف داخل الحائط، فيجب أن يكون يترك 5 سم على الأقل بينها وبين السقف و 5 سم على الأقل بينها وبين الحائط. لا تضع تلاجتك على مواد مثل السجاد أو الموكيت.

4. ضع التلاجة على سطح مستو لمنع الحركة المفاجئة.

5. لا تضع التلاجة في درجات حرارة محيطة تقل عن 16 درجة مئوية.

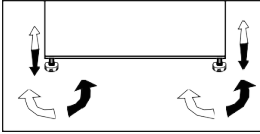
## استبدال مصباح الإضاءة الداخلي

ةءاض إل حابصم/حابصل ا ري ي غتل  
ةءاض إ يف مدختس مل ا (LED) ةي فل خلا  
زكربم لاصتال ا ي جري ، ةجال ثل ا  
دمت عمل ا قن ا ي صل ا

اذه يف ةمدختس مل ا (ح ي باصل مل ا) حابصل مل ا  
فرغل ا يف ةءاض إل قباصل مل ا ري غ زا ه ل ا  
حابصل مل ا اذل ه ي ساصل ا ل ا ضرغل ا . ةي ل ز ن مل ا  
ما ح ط ل ا تاود ا عضول مدختس مل ا ةدع اسم وه  
قن م أو قل هس ق ي رطب ةم ج مل ا / ةجال ثل ا ي يف  
امل زا ه ل ا اذ ه ي يف ةمدختس مل ا ح ي باصل مل ا  
قرا ر حل ا تا ج رد ي يف ل ث م ت ل م ح ت ق ر د ق  
ةي وئ م ة ج رد 20- ن م ل ق ا

## ضبط الركائز

إذا كان الجهاز غير متزن بعد عملية التركيب، فاضبط الركيزة الأمامية بعد تدويرها لليمين أو اليسار.



❗ يجب تركيب التلاجة على بعد 30 سم على الأقل من مصادر الحرارة مثل المواقد والأفران والسخان المركزي والمواقد وعلى بعد 5 سم على الأقل من الأفران الكهربائية ويجب عدم وضعها في ضوء الشمس المباشر.

❗ يجب أن تكون درجة الحرارة المحيطة للغرفة التي تضع فيها التلاجة 10 درجة مئوية على الأقل. ولا يُوصى بتشغيل التلاجة في ظروف درجة حرارة أقل من ذلك تحقيلًا أكفأهتها.

❗ يُرجى التأكد من تنظيف التلاجة من الداخل بعناية.

❗ إذا كنت بصدد تركيب ثلاثتين جنبًا إلى جنب، فيجب المبادعة بينهما بمسافة 2 سم على الأقل.

❗ عند تشغيل التلاجة للمرة الأولى، يُرجى مراعاة التعليمات التالية أثناء الساعات الستة الأولى.

- يجب عدم فتح الباب بصورة متكررة.
- يجب تشغيلها وهي خاوية بدون أي أطعمة داخلها.

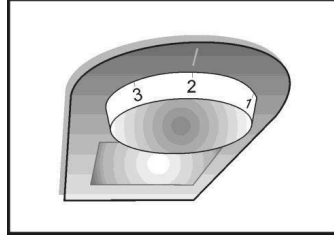
لا تنزع قابس التيار الكهربى للتلاجة. إذا توقف التيار الكهربى رغماً عنك، فيرجى قراءة التحذيرات الواردة في قسم "حلول مقترحة للمشكلات".

❗ يجب الحفاظ على العبوة الأصلية ومواد التغليف المصاحبة لأغراض النقل المستقبلية أو الانتقال.

## إزالة الثلج

## (أ) تجويف الثلجة

يقوم صندوق الثلجة بإزالة الثلج تلقائياً. تيسقأط الماء ويمكن برامك الثلج لكمية إتصل لي 7-8 ملم على الجدار الخلفي. الدايلخ لصندوق الثلجة بينمبأرء الثلجة. ماإنثل هذا التكبطن بويئذ بي عيجة لنظما البتريد. إبتمزألة بطقة الثلج المكنومة من خلال القيما بإزالة الثلج للثقائتممع حيرات تمقعدة بفضن لظأ مازألة الثلج للثقائي بالموجودماجلدلا راخلفي. إمذا نستخدم غير طماكب بالشط لائلج أو إزالة طقرمدا تاءا. ميرملاء لاناأج عن إزالة لائلج من تفيوج تمجيملاء عاء وتيدملاء في قفبخر خمنال ل أنبصلا بوفرف وتببخرنم تلقاء نفسه. أكأء بشء لكومن يرأن أنبصلا بوفرف غير مسءوء ونظفه طساوبة عصا لافي فتحة إذا كاض نروبدا .



## زر ضبط الترومستات

غير درجة حرارة الثلجة لألسباب التالوية:

- درجات حرارة الهمومي
- فتحة الابلال بقتك لوتكر روت لقمع توح لفترات تطويلة،
- لاطع امال ذئيم وض عملي بئال جبءون تببيءلأى درجة حرارأ غوءة،
- مك ان بئال بقتي ل غوءة بئال بئ عرض ألس عفاش مس.)
- يمك ان بئ بء درجة حرار بئال بئ غيرة ل هءه لبل باب ولس طقة بوس تلتش ير ألق امال موءع لى زل بئ بوس تالتلى برب اللتاب بء.
- إءالك لء بءة ل حرار قلم حى طعة للى من 32 بء قئ بئة، أء زل بئ بوس تالتلى وض علال آء لى.
- إءالك لء بءة ل حرار قلم حى طعة للى من 25 بء قئ بئة، أء زل بئ بوس تالتلى وض علال آء لى.

لا يقوم صندوق الديب فريزر بإزالة الثلج تلقائياً لمنع فساد الطعام المجمد.

ب) صندوق الفريزر

يتم إزالة الثلج بطريقة تلقائية بدون إحداث فوضى والفضول في ذلك يرجع إلى حوض تجميد الثلج المذاب المميز.

يتم إزالة الثلج مرتين في الشهر أو عن تكوّن طبقة جليقة حجمها يقرب من 7.25 ملم بدءاً إجراء إزالة الثلج جيولوجياً لغرض إزالة الجاز قبس من فذ الحائط وسحب مقبس التيار.

يجب لف جميع الأطقم بغطيات عديدهم لإجراء تثبيث خزفي مكثف (د) على يديهم في التالفة أو موضع حفظ اللحوم).

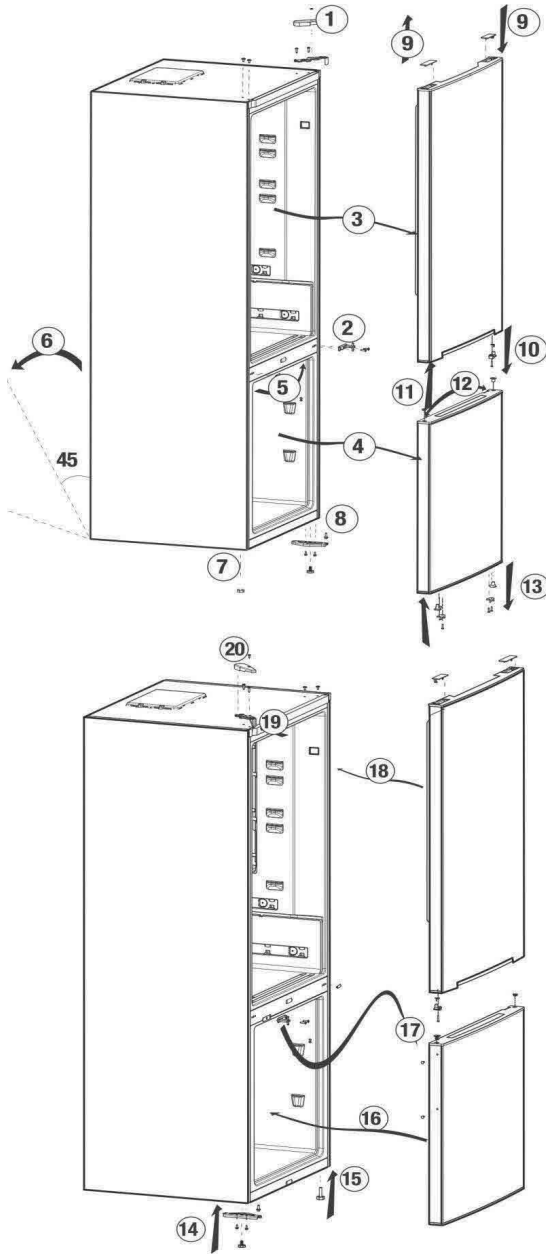
يمكن نزع أو عيئة من وحدة الهدف في

يُزر بحرص لتسريع عملية إزالة الثلج. التي يجب استخدامها أو حادمة الثلج.

سكالكين أو الشوك إزالة الثلج. يجب على مستخدم جهاز فلش عرض أنس خانة الكمبربائية أو أي أجهزة بائية أخرى لإزالة الثلج.

يجب مسح لميامل من الثلج مع غس فلش جوي الفريزر بعد إنهاء عملية إزالة الثلج، بتجفيف الفريزر من الداخل تماماً.

أدخال قابس في سلال حائطية مشغول الكمبرباء.



⚠️ نوصي بفصل الجهاز عن التيار الكهربائي قبل تنظيفه

منظفات منزلية أو منظفات غسيل أو شمع التلميع عند التنظيف.

❶ استخدم المياه الفاترة لتنظيف صندوق الثلاجة ثم امسحه ليحفظ.

❶ استخدم قطعة من القماش الملتوية والرطبة مع ملء ملعقة شاي من بيكربونات الصودا مضافة لجالون من الماء لتنظيف الداخل ثم يجفف.

❶ تأكد من عدم دخول المياه إلى مبيت المصباح وغيره من العناصر الكهربائية.

❶ إذا كانت الثلاجة لن تستعمل لفترة زمنية طويلة، فافصل كابل التيار الكهربائي ثم أفرغ جميع الأطعمة ثم نظفها واترك الباب مفتوح جزئياً.

❶ قم بفحص عوازل التسريب في الباب بانتظام للتأكد من سلامتها وخلوها من جزيئات الطعام.

❶ لإزالة أرفف الباب، أخرج جميع المحتويات ثم ادفع رف الباب لأعلى بعيداً عن القاعدة.

المشكلة التي تعمل .
<ul style="list-style-type: none"> <li>هل الثلجة متصلة بالتيار الكهربائي؟ توصيل القابس بمنفذ الكهرباء بالحائط.</li> <li>هل احترق منصهر القابس المتصلة به الثلجة أو المنصهر الرئيسي؟ افحص المنصهر.</li> </ul>
<p>تكثف في جانب صندوق الثلجة. (المنطقة المتعددة، التحكم في التبريد، والمنطقة المرنة).</p>
<ul style="list-style-type: none"> <li>الظروف المحيطة باردة جداً. فتح الأبواب وغلغها بشكل متكرر. الظروف المحيطة عالية الرطوبة. تخزين طعام يحتوي على سائل في أوعية مفتوحة. ترك الباب مفتوح جزئياً.</li> <li>تغيير وضع الترموستات إلى الدرجة أكثر برودة.</li> <li>تقليل الوقت الذي ترك الباب فيه مفتوحاً أو استخدامه بصورة أقل.</li> <li>تغطية الطعام المخزن في حاويات مفتوحة بمادة مناسبة.</li> <li>مسح التكثف بقطعة قماش جافة والتحقق من بقاءه.</li> </ul>
جهاز ضغط الهواء لا يعمل .
<ul style="list-style-type: none"> <li>سينصهر العازل الحراري لجهاز ضغط الهواء أثناء الانقطاع المفاجئ للتيار الكهربائي أو توصيل قابس الثلجة بالتيار الكهربائي أو فصله. لأن ضغط الثلجة في نظام تبريد الثلجة لم يتوازن بعد.</li> <li>ستبدأ الثلجة في العمل بعد 6 دقائق تقريباً. يرجى الاتصال بمركز الصيانة إذا لم تبدأ الثلجة في العمل بعد انتهاء هذه المدة.</li> <li>الثلجة في دورة إزالة الثلج. هذا أمر عادي لكل الثلجات الأوتوماتيكية التي تزيل الثلج. تحدث عملية إزالة الثلج دورياً.</li> <li>الثلجة غير متصلة بالقابس. تأكد أن القابس موضوع بإحكام في مقبس الحائط.</li> <li>هل تم ضبط درجة الحرارة بشكل صحيح؟ انقطاع التيار الكهربائي. اتصل بشركة الكهرباء.</li> </ul>

## تعمل الثلاجة بصورة متكررة أو لوقت طويل.

- قد تكون الثلاجة الجديدة أكبر من القديمة. هذا شيء طبيعي تمامًا. الثلاجات الكبيرة تعمل لفترات أطول.
- قد تكون درجة الحرارة المحيطة عالية. وهذا أمر طبيعي جدًا.
- الثلاجة متصلة بالكهرباء منذ قليل أو مليئة بالطعام. قد يستمر تبريد الثلاجة كليا لساعات أطول.
- قد تكون هناك كميات كبيرة من الطعام الساخن تم وضعها في الثلاجة مؤخرًا. يتسبب الطعام الساخن في تشغيل الثلاجة حتى يصل إلى درجة حرارة التخزين الآمنة.
- قد تكون الأبواب مفتوحة بصورة متكررة أو مفتوحة جزئيًا لفترة طويلة. يتسبب الهواء الساخن الذي دخل الثلاجة في تشغيل الثلاجة لفترة أطول. افتح الأبواب عددًا أقل من المرات.
- قد يكون باب صندوق الفريزر أو الثلاجة مفتوح جزئيًا. تأكد أن الأبواب مغلقة تمامًا.
- تم ضبط الثلاجة على درجة باردة جدًا. اضبط درجة حرارة الفريزر على أعلى وانتظر حتى تصل إلى درجة الحرارة المطلوبة.
- قد يكون عازل باب الثلاجة أو الفريزر متسخًا أو باليًا أو متهتكًا أو مثبت بطريقة غير صحيحة. نظف العازل أو استبدله. لأن العازل التالف أو المتهتك يتسبب في أن تعمل الثلاجة لفترات أطول للحفاظ على درجة الحرارة الحالية.

## درجة حرارة الفريزر منخفضة جدًا بينما درجة حرارة الثلاجة غير كافية.

- تم ضبط الفريزر على درجة باردة جدًا. اضبط درجة حرارة الفريزر على أعلى ثم تأكد ثانية.

## درجة حرارة الثلاجة منخفضة جدًا بينما درجة حرارة الفريزر غير كافية.

- تم ضبط الثلاجة على درجة باردة جدًا. اضبط درجة حرارة الثلاجة على أعلى ثم تحقق ثانية.

## تجمد الطعام المحفوظ في أدراج صندوق الثلاجة.

- تم ضبط الثلاجة على درجة باردة جدًا. اضبط درجة حرارة الثلاجة على أعلى ثم تحقق ثانية.

## درجة حرارة الثلاجة أو الفريزر عالية جدًا.

- تم ضبط الثلاجة على درجة حرارة عالية جدًا. يؤثر ضبط الثلاجة على درجة حرارة الفريزر. غير درجة حرارة الثلاجة أو الفريزر حتى تصل إلى مستوى مناسب.
- قد يكون الباب مفتوح جزئيًا. أغلق الباب تمامًا.
- قد تكون هناك كميات كبيرة من الطعام الساخن تم وضعها في الثلاجة مؤخرًا. انتظر حتى تصل الثلاجة أو الفريزر إلى درجة الحرارة المطلوبة.
- تم توصيل الثلاجة بالكهرباء مؤخرًا. فتبريد الثلاجة تمامًا يستغرق وقتًا بسبب الحجم.

تشبه الضوضاء الناتجة عن النلاجة صوت الثواني الذي تصدره ساعة.
• تصدر هذه الضوضاء من صمام اللولبي للنلاجة. يعمل هذا الصمام بغرض ضمان تبريد المسار عبر الصندوق والذي يمكن ضبطه على درجات حرارة التبريد أو التجميد. كما أنه يقوم بوظائف التبريد. وهذا أمر طبيعي وليس عيباً.
ترتفع ضوضاء التشغيل عند تشغيل النلاجة.
• قد تتغير سمات أداء النلاجة تبعاً للتغيرات في درجة الحرارة المحيطة بالنلاجة. وهذا طبيعي ولا يعد ذلك عيباً.
اهتزازات أو ضوضاء.
• الأرض ليست مستوية أو ليست صلبة. تهتز النلاجة عند تحريكها ببطء. تأكد من أن الأرض مستوية وقوية وتحمل النلاجة.
• قد يصدر صوت من الأشياء الموضوعة على النلاجة يجب إزالة هذه الأشياء من على سطح النلاجة.
تصدر ضوضاء مثل صوت انسكاب سائل أو رشه.
• تنساب السوائل والغازات وفقاً لقواعد تشغيل النلاجة. وهذا طبيعي ولا يعد ذلك عيباً.
تحدث ضوضاء شبيهة بصفير الرياح.
• تستخدم منشطات الهواء (المراوح) للسماح للنلاجة بالتبريد بشكل فعال. وهذا طبيعي ولا يعد ذلك عيباً.
تكاثف في الحوائط الداخلية للنلاجة.
• يزيد الطقس الحار والرطب من التثليج والتكاثف. وهذا طبيعي ولا يعد ذلك عيباً.
• الأبواب مفتوحة جزئياً. تأكد أن الأبواب مغلقة تماماً.
• قد تكون الأبواب مفتوحة بصورة متكررة جداً أو قد تكون متروكة مفتوحة لفترة طويلة. افتح الأبواب بتكرار أقل.
تحدث الرطوبة في الإطار الخارجي للنلاجة أو بين الأبواب.
• قد يكون الطقس رطباً. هذا شيء طبيعي جداً في الأجواء الرطبة. وعندما تكون الرطوبة أقل: يخفي التكثف.
توجد رائحة كريهة داخل النلاجة.
• يجب تنظيف الجزء الداخلي من النلاجة. نظف داخل النلاجة بقطعة أسفنجية وماء دافئ أو ماء مكرين.
• قد تتسبب بعض الأوعية أو مواد التعبئة في هذه الرائحة. استخدم وعاء مختلف أو مواد تعبئة مختلفة.
الباب (الأبواب) لا يغلق.
• عيوات الطعام قد تمنع إغلاق الباب. غير وضع عيوات الطعام التي تعيق الباب.
• النلاجة ليست عمودياً تماماً على الأرض وقد تهتز عند تحريكها قليلاً اضبط مسامير الارتفاع.
• الأرض ليست مستوية أو قوية، تأكد من أن الأرض مستوية وتحمل النلاجة.
الأدراج عالقة.
• قد يكون الطعام ملامساً لسقف الدرج. أعد ترتيب الطعام في الدرج.

## إخلاء المسؤولية / تحذير

أثناء هذه الفترة، سيؤدّ الزبون بقطع غيار أصلية لتشغيل الثلاجة على النحو السليم

الحد الأدنى لمدة ضمان الثلاجة التي اشتريتها هو 24 شهراً.

هذا المنتج مزود بمصدر إضاءة من فئة الطاقة «G».

يجب ألا يستبدل مصدر الإضاءة في هذا المنتج إلا مصلحون محترفون.

يمكن للمستخدم النهائي إصلاح بعض الأخطاء البسيطة) بنجاح دون أي مشاكل في السلامة أو الاستخدام غير الآمن، شريطة أن ينفذ هذه الإصلاحات ضمن الحدود ووفقاً للإرشادات التالية) انظر إلى قسم «إصلاح الزبون للمنتج بنفسه» .

لذلك، ما لم يؤذن بخلاف ذلك في قسم «إصلاح الزبون للمنتج بنفسه» أدناه، فيجب تكليف المصلحين المحترفين المسجلين بإصلاح المنتج تفادياً لمشاكل السلامة. المصلح المحترف المسجل هو مصلح احترافي منحه الجهة المصنعة حق الاطلاع على الإرشادات وقائمة قطع الغيار لهذا المنتج بما يمثل للقوانين التشريعية وفقاً للتوجيه EC/125/2009.

**المعتمدين)، الذي يمكنك الاتصال به عبر رقم الهاتف المزود في دليل المستخدم/ بطاقة الضمان أو من خلال البائع بالتجزئة، تقديم الخدمة تحت شروط الضمان. لذلك الرجاء العلم أن الإصلاحات التي ينفذها المصلحون (غير المصرح لهم من شركة المصنعة/ الاسم ستبطل الضمان.**

إصلاح الزبون للمنتج بنفسه

يمكن للمستخدم النهائي إصلاح المنتج بنفسه عندما يتعلق الأمر بقطع الغيار التالية: مقابض الأبواب ومفصلات الأبواب والصواني والسلال وحواشي الباب (تتوفر قائمة محدّثة في 1 مارس من عام 2021 على web.

بالإضافة إلى ذلك، حرصاً على سلامة المنتج وتفادياً للإصابات الخطيرة، يجب أن ينفذ الزبون الإصلاح بنفسه باتباع التعليمات الواردة في دليل المستخدم حول هذه العملية، وهي متاحة على web. لسلامتك، افصل المنتج عن التيار الكهربائي قبل محاولة إصلاحه بنفسك.

لذلك يوصى بشدة بأن يمتنع المستخدمون النهائيون عن محاولة تنفيذ الإصلاحات غير الواردة في قائمة قطع الغيار المذكورة وأن يتصلون في مثل هذه الحالات بمصلحين محترفين معتمدين أو مصلحين محترفين مسجلين. وإلا فإن هذه المحاولات التي يجريها المستخدمون النهائيون قد تتسبب في مشاكل تتعلق بالسلامة وتلحق الضرر بالمنتج وتتسبب في نشوب حريق أو حدوث فيضان أو صدمة كهربائية أو إصابة شخصية خطيرة.



