

# DAILY REFERENCE GUIDE



**THANK YOU FOR BUYING A WHIRLPOOL PRODUCT.** In order to receive a more complete assistance, please register your appliance on: [www.whirlpool.eu/register](http://www.whirlpool.eu/register)

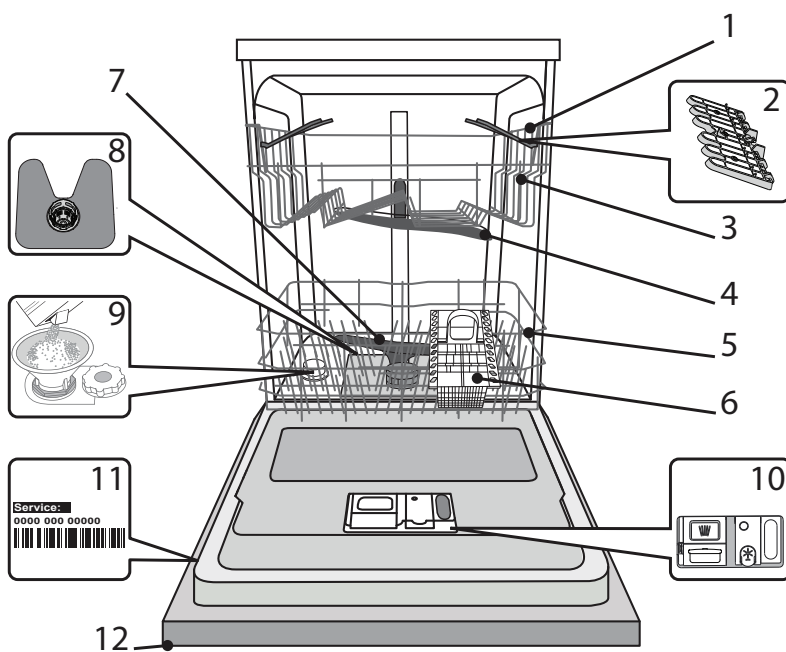


You can download the Safety Instructions and the User Manual, by visiting our website [docs.whirlpool.eu](http://docs.whirlpool.eu) and following the Instructions on the back of this booklet.

**Before using the appliance carefully read Safety Instructions.**

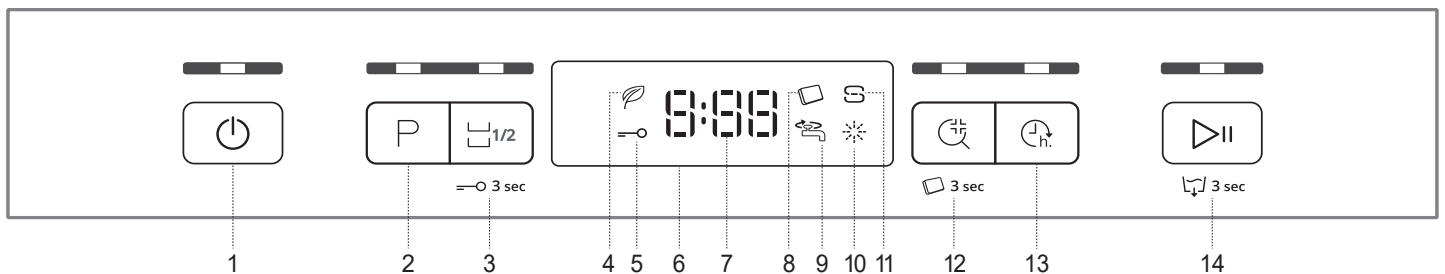
## PRODUCT DESCRIPTION

### APPLIANCE



1. Upper rack
2. Foldable flaps
3. Upper rack height adjuster
4. Upper spray arm
5. Lower rack
6. Cutlery basket
7. Lower spray arm
8. Filter Assembly
9. Salt reservoir
10. Detergent and Rinse Aid dispensers
11. Rating plate
12. Control panel

### CONTROL PANEL



1. On-Off/Reset button with indicator light
2. Program selection button with indicator light
3. Half Load button with indicator light / Keylock
4. Eco program indicator light
5. Keylock indicator light
6. Display
7. Program number and remaining time indicator
8. Tablet (Tab) indicator light
9. Closed water tap indicator light
10. Rinse Aid refill indicator light
11. Salt refill indicator light
12. Sani Rinse button with indicator light / Tablet (Tab)
13. Delay button with indicator light
14. Start/Pause button with indicator light / Drain out

# FIRST TIME USE

## SALT, RINSE AID AND DETERGENT


### ADVICE REGARDING THE FIRST TIME USE

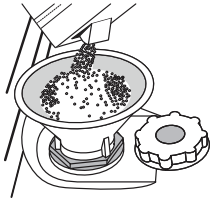
After installation, remove the stoppers from the racks and the retaining elastic elements from the upper rack.

### FILLING THE SALT RESERVOIR

The use of salt prevents the formation of LIMESCALE on the dishes and on the machine's functional components.

- It is mandatory that **THE SALT RESERVOIR NEVER BE EMPTY.**
- It is important to set the water hardness.

The salt reservoir is located in the lower part of the dishwasher (see *PRODUCT DESCRIPTION*) and must be filled when the **SALT REFILL indicator light**  in the control panel is lit.



1. Remove the lower rack and unscrew the reservoir cap (anticlockwise).
2. **Only the first time you do this: fill the salt reservoir with water.**
3. Position the funnel (see figure) and fill the salt reservoir right up to its edge (approximately 1 kg); it is not unusual for a little water to leak out.
4. Remove the funnel and wipe any salt residue away from the opening.

Make sure the cap is screwed on tightly, so that no detergent can get into the container during the wash program (this could damage the water softener beyond repair).

**Whenever you need to add salt, it is mandatory to complete the procedure before the beginning of the washing cycle to avoid corrosion.**

### SETTING THE WATER HARDNESS

To allow the water softener to work in a perfect way, it is essential that the water hardness setting is based on the actual water hardness in your house. This information can be obtained from your local water supplier.

The factory sets the default value for the water hardness.

- Switch on the appliance by pressing the **ON/OFF** button.
- Switch off the appliance by pressing the **ON/OFF** button.
- Hold down button **START/Pause** for 5 seconds, until you hear a beep.
- Switch on the appliance by pressing the **ON/OFF** button.
- The current selection level number and the salt indicator light both flash.
- Press button **P** to select the desired hardness level (see *WATER HARDNESS TABLE*).

Water Hardness Table				
Level		°dH German degrees	°fH French degrees	°Clark English degrees
1	Soft	0 - 6	0 - 10	0 - 7
2	Medium	7 - 11	11 - 20	8 - 14
3	Average	12 - 16	21 - 29	15 - 20
4	Hard	17 - 34	30 - 60	21 - 42
5	Very hard	35 - 50	61 - 90	43 - 62

- Switch off the appliance by pressing the **ON/OFF** button.

Setting is complete!

As soon as this procedure is complete, run a program without loading.


**Only use salt that has been specifically designed for dishwashers.**

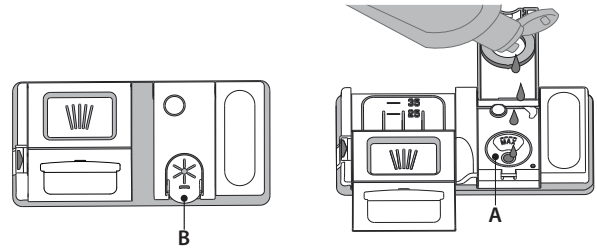
After the salt has been poured into the machine, the SALT REFILL indicator light switches off.

**If the salt container is not filled, the water softener and the heating element may be damaged as a result of limescale accumulation.**

**Using of Salt is recommended with any type of dishwasher detergent.**

### FILLING THE RINSE AID DISPENSER

Rinse aid makes dish DRYING easier. The rinse aid dispenser **A** should be filled when the **RINSE AID REFILL indicator light**  in the control panel is lit.



1. Open the dispenser **B** by pressing and pulling up the tab on the lid.
  2. Pour in the rinse aid (max.110 ml), making sure it does not overflow from the dispenser. If this happens, clean the spill immediately with a dry cloth.
  3. Press the lid down until you hear a click to close it.
- NEVER pour the rinse aid directly into the appliance tub.**

### ADJUSTING THE DOSAGE OF RINSE AID

If you are not completely satisfied with the drying results, you can adjust the quantity of rinse aid used.

- Switch the dishwasher on using the **ON/OFF** button.
- Switch it off using the **ON/OFF** button.
- Press button **START/Pause** three times - a beep will be heard.
- Switch it on using the **ON/OFF** button.
- The current selection level number and rinse aid indicator light flash.
- Press button **P** to select the level of rinse aid quantity to be supplied.
- Switch it off using the **ON/OFF** button

Setting is complete!

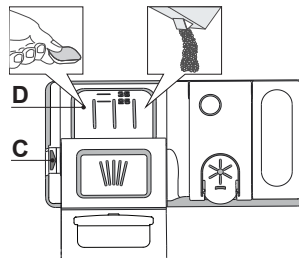
If the rinse aid level is set to 1 (ECO), no rinse aid will be supplied. The LOW RINSE AID indicator light will not be lit if you run out of rinse aid.

A maximum of 5 levels can be set according to the dishwasher model. The factory setting is specific to the model, please follow instruction above to check this for your machine.

- If you see bluish streaks on the dishes, set a low number (2-3).
- If there are drops of water or limescale marks on the dishes, set a mid-range number (4-5).

### FILLING THE DETERGENT DISPENSER

**To open the detergent dispenser use the opening device C. Introduce the detergent into the dry dispenser D only. Place the amount of detergent for pre-washing directly inside the tub.**



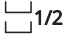




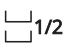




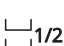







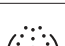
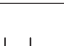

1. When measuring out the detergent refer to the mentioned earlier information to add the proper quantity. Inside the dispenser **D** there are indications to help the detergent dosing.
2. Remove detergent residues from the edges of the dispenser and close the cover until it clicks.
3. Close the lid of the detergent dispenser by pulling it up until the closing device is secured in place.

The detergent dispenser automatically opens up at the right time according to the program.

If all-in-one detergents are used, we recommend using the **TABLET** button, because it adjusts the program so that the best washing and drying results are always achieved.

**Usage of detergent not designed for dishwashers may cause malfunction or damage to the appliance.**

# PROGRAMS TABLE

Program	Drying phase	Available options <sup>*)</sup>	Duration of wash program (h:min) <sup>***)</sup>	Water consumption (litres/cycle)	Energy consumption (kWh/cycle)
1. Eco ECO 50°	✓	   	3:20	12.0	1.04
2. Intensive  65°	✓	   	2:30	16.0	1.50
3. Mixed  55°	✓	   	2:25	16.0	1.35
4. Rapid 30'  50°	-	  	0:30	9.0	0.60
5. Pre-Wash  -	-	 	0:10	4.0	0.01

ECO program data is measured under laboratory conditions according to European Standard EN 60436:2020.

Note for Test Laboratories:

For information on comparative EN testing conditions, please send an email to the following address: [dw\\_test\\_support@europeanappliances.com](mailto:dw_test_support@europeanappliances.com)

Pre-treatment of the dishes is not needed before any of the programs.

\*) Not all options can be used simultaneously.

\*\*) Values given for programs other than the program Eco are indicative only. The actual time may vary depending on many factors such as temperature and pressure of the incoming water, room temperature, amount of detergent, quantity and type of load, load balancing, additional selected options and sensor calibration. The sensor calibration can increase program duration up to 20 min.

## PROGRAMS DESCRIPTION

### Instructions on wash cycle selection.

#### 1 ECO

Eco programme is suitable to clean normally soiled tableware, that for this use, it is the most efficient programme in terms of its combined energy and water consumption, and that it is used to assess compliance with the EU Ecodesign legislation.

#### 2 INTENSIVE

Program recommended for heavily soiled crockery, especially suitable for pans and saucepans (not to be used for delicate items).

#### 3 MIXED

Mixed soil. For normally soiled dishes with dried food residues.

#### 4 RAPID 30'

Program to be used for half load of lightly-soiled dishes with no dried food residues. Does not have drying phase.

#### 5 PRE-WASH

Use to refresh crockery planned to be washed later. No detergent to be used with this program.

#### Notes:

Please note that cycle *Rapid 30'* is dedicated for lightly soiled dishes.

# OPTIONS AND FUNCTIONS

OPTIONS can be selected directly by pressing the corresponding button (see CONTROL PANEL).

**If an option is not compatible with the selected program see PROGRAMS TABLE, the corresponding LED flashes rapidly 3 times and beeps will sound. The option will not be enabled.**

## 1/2 HALF LOAD

If there are not many dishes to be washed, a half load cycle may be used in order to save water, electricity and detergent. Select the program and press the HALF LOAD button: the indicator light will light up. Press the HALF LOAD button to deselect this option.

**Remember to halve the amount of detergent.**

## KEYLOCK

A long press (for 3 seconds) of HALF LOAD button, will activate the KEYLOCK function. The KEYLOCK function will block the control panel except the ON/OFF button. To deactivate the KEYLOCK, long press again.

## WATER TAP CLOSED – Alarm

Flashes when there is no inlet water or water tap is closed.

## SANI RINSE

This option can be used to sanitize washed dishes.

It will increase final rinse temperature and add antibacterial wash to the selected program.

Select the washing program, press the SANI RINSE button; the indicator light will light up. To deselect the option, press the same button again. Ideal to clean crockery and feeding bottles. The dishwasher door must be kept shut for the entire duration of the program in order to guarantee reduction of germs. If the door is opened the indicator lamp starts flashing.

**WARNING: the crockery and plates could be extremely hot at the end of the cycle.**

## TABLET (Tab)

This setting allows you to optimize the performance of the program according to the type of detergent used.

Press the SANI RINSE button for 3 seconds (the corresponding symbol will light up) if you use combined detergents in tablet form (rinse aid, salt and detergent in 1 dose).

**If you use powder or liquid detergent, this option should be off.**

## DELAY

The start of the program may be delayed for a period of time between 0:30 and 24 hours.

1. Select the program and any desired options. Press the DELAY button (repeatedly) to delay the start of the program. Adjustable from 0:30 to 24 hours. With each press of the button, the delay start increases by: 0:30 if selection below 4 hours, 1:00 if selection is below 12 hours, 4 hours if selection is above 12 hours. If 24 hours reached, and the button is pressed, the delayed start is deactivated.

2. Press the START/PAUSE button: the timer will begin counting down;

3. Once this time has elapsed, the indicator light switches off and the program begins automatically.

If at the time of the countdown the START/PAUSE button is pressed again the DELAY option is cancelled and the selected program starts automatically.

**The DELAY function cannot be set once a program has been started.**

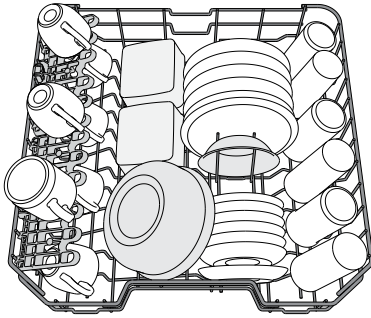
## DRAIN OUT

To stop and cancel the active cycle, the DRAIN OUT function can be used.

A long press of START/PAUSE button, will activate the DRAIN OUT function. The active program will be stopped and the water in the dishwasher will be drained out.

# LOADING THE RACKS

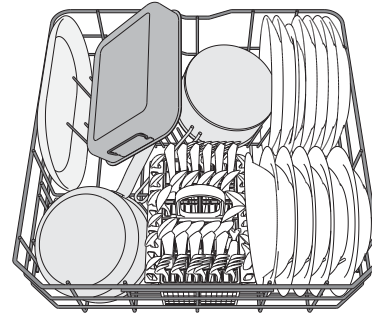
## UPPER RACK



(loading example for the upper rack)

Load delicate and light dishes: glasses, cups, saucers, low salad bowls.

## LOWER RACK



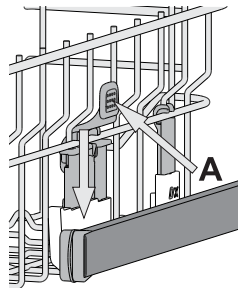
(loading example for the lower rack)

For pots, lids, plates, salad bowls, cutlery etc. Large plates and lids should ideally be placed at the sides to avoid interferences with the spray arm. .

## ADJUSTING THE HEIGHT OF THE UPPER RACK

The height of the upper basket can be adjusted: high position to place bulky crockery in the lower basket and low position to make the most of the tip-up compartments by creating more space upwards.

The upper rack is equipped with a **Upper Rack height adjuster** (see figure), without pressing the levers, lift it up by simply holding the rack sides, as soon as the rack is stable in its upper position. To restore to the lower position, press the levers (**A**) at the sides of the rack and move the basket downwards.



**We strongly recommend that you do not adjust the height of the rack when it is loaded.**

**NEVER raise or lower the basket on one side only.**

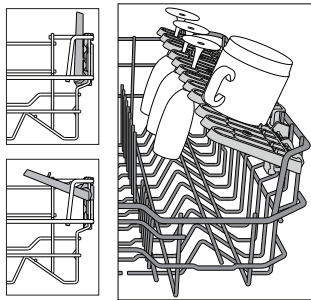
## FOLDABLE FLAPS WITH ADJUSTABLE POSITION

The side foldable flaps can be fold or unfold to optimize the arrangement of crockery inside the rack.

Wine glasses can be placed safely in the foldable flaps by inserting the stem of each glass into the corresponding slots.

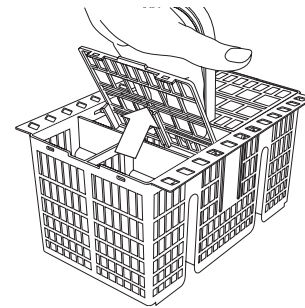
Depending on the model:

- to unfold the flaps there is needed to slide it up and rotate or release it from the snaps and pull it down.
- to fold the flaps there is needed to rotate it and slide flaps down or pull it up and attach flaps to the snaps.



## CUTLERY BASKET

The basket is equipped with top grilles for improved cutlery arrangement. The cutlery basket should be positioned only at the front of the lower rack.



**Knives and other utensils with sharp edges must be placed in the cutlery basket with the points facing downwards or they must be positioned horizontally in the tip-up compartments on the upper rack.**

# DAILY USE

## 1. CHECK WATER CONNECTION

Check that the dishwasher is connected to the water supply and that the tap is open.

## 2. SWITCH ON THE DISHWASHER

Press the **ON/OFF** button.

## 3. LOAD THE RACKS

(see *LOADING THE RACKS*).

## 4. FILLING THE DETERGENT DISPENSER

## 5. CHOOSE THE PROGRAM AND CUSTOMISE THE CYCLE

Select the most appropriate program in accordance with the type of crockery and its soiling level (see *PROGRAMS DESCRIPTION*) by pressing the **P** button.

Select the desired options (see *OPTIONS AND FUNCTIONS*).

## 6. START

Start the wash cycle by pressing the **START/Pause** button. When the program starts you hear a beep.

## 7. END OF WASH CYCLE

The end of the wash cycle is indicated by beeps and the display shows **End**. Open the door and switch off the appliance by pressing the **ON/OFF** button.

Wait for a few minutes before removing the crockery - to avoid burns. Unload the racks, beginning with the lower one.

**The machine will switch off automatically during certain extended periods of inactivity, in order to minimise electricity consumption. If the crockery is only lightly soiled or if it has been rinsed with water before being placed in the dishwasher, reduce the amount of detergent used accordingly.**

## MODIFYING A RUNNING PROGRAM

If a wrong program was selected, it is possible to change it, provided that it has only just begun: press and hold the **ON/OFF** button, the machine will switch off. Switch the machine back on using the **ON/OFF** button and select the new wash cycle and any desired options; start the cycle by pressing the **START/PAUSE** button.

## ADDING EXTRA CROCKERY

Without switching off the machine, open the door (**be ware of HOT steam!**) and place the crockery inside the dishwasher. Close the door and press the **START/Pause** button the cycle will begin from the point at which it was interrupted.

## ACCIDENTAL INTERRUPTIONS

If the door is opened during the wash cycle, or if there is a power cut, the cycle stops. Once the door has been closed or the electricity supply is restored, to start again the cycle from where it was interrupted, press the **START/Pause** button.

To disable the **DEMO MODE** the following actions must be carried out in sequence, without breaks. Switch the machine ON and then switch it OFF again. Press the DELAY button until the buzzer is heard. Switch the machine on again. The "**dOF**" indicator flashes and then turns OFF.

# ADVICE AND TIPS

## TIPS

Before loading the baskets, remove all food residues from the crockery and empty the glasses. **You do not need to rinse beforehand under running water.**

Arrange the crockery so that it is held in place firmly and does not tip over; and arrange the containers with the openings facing downwards and the concave/convex parts placed obliquely, thus allowing the water to reach every surface and flow freely.

**Warning:** lids, handles, trays and frying pans do not prevent the sprayer arms from rotating.

Place any small items in the cutlery basket.

Very soiled dishes and pans should be placed in the lower basket because in this sector the water sprays are stronger and allow a higher washing performance.

After loading the appliance, make sure that the sprayer arms can rotate freely.

## UNSUITABLE CROCKERY

- Wooden crockery and cutlery.
- Delicate decorated glasses, artistic handicraft and antique crockery. Their decorations are not resistant.
- Parts in synthetic material which do not withstand high temperatures.
- Copper and tin crockery.
- Crockery soiled with ash, wax, lubricating grease or ink.

The colours of glass decorations and aluminium/silver pieces can change and fade during the washing process. Some types of glass (e.g. crystal objects) can become opaque after a number of wash cycles too.

## DAMAGE TO GLASS AND CROCKERY

- Only use glasses and porcelain guaranteed by the manufacturer as dishwasher safe.
- Use a delicate detergent suitable for crockery
- Collect glasses and cutlery from the dishwasher as soon as the wash cycle is over.

## TIPS ON ENERGY SAVING

- When the household dishwasher is used according to the manufacturer's instructions, **washing tableware in a dishwasher usually consumes less energy and water than hand dishwashing.**
- In order to maximize dishwasher efficiency it is recommended to **initiate the wash cycle once dishwasher is fully loaded.** Loading the household dishwasher up to the capacity indicated by the manufacturer will contribute to energy and water savings. Information on correct loading of tableware can be found in Loading chapter. In case of partial loading it is recommended to use dedicated wash options if available (Half load/ Zone Wash, Multizone), filling up only selected racks. Incorrect loading or overloading the dishwasher may increase resources usage (such as water, energy and time, as well as increase noise level), reducing cleaning and drying performance.
- Manual pre-rinsing of tableware items leads to increased water and energy consumption and is not recommended.

## HYGIENE

To avoid odour and sediment which can be accumulated in the dishwasher **please run a high temperature program at least one a month.** Use a tea spoon of detergent and run it without the loading to clean your appliance.

# CARE AND MAINTENANCE

## CLEANING THE FILTER ASSEMBLY

Regularly clean the filter assembly so that the filters do not clog and that the waste water flows away correctly.

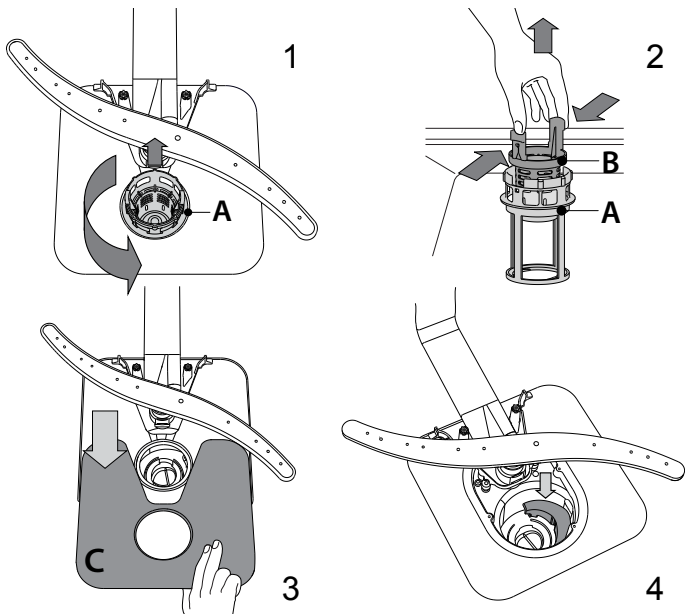
Using dishwasher with clogged filters or foreign objects inside filtration system or sprayarms may cause unit malfunction resulting in lose of performance, noisy work or higher resources usage.

The filter assembly consists of three filters which remove food residues from the washing water and then recirculate the water.

**The dishwasher must not be used without filters or if the filter is loose.**

At least once per month or after each 30 cycles, check the filter assembly and if necessary clean it thoroughly under running water, using a non-metallic brush and following the instructions below:

1. Turn the cylindrical filter **A** in an anti-clockwise direction and pull it out (Fig 1).
2. Remove the cup filter **B** by exerting a slight pressure on the side flaps (Fig 2).
3. Slide out the stainless-steel plate filter **C** (Fig 3).
4. In case you find foreign objects (such as broken glass, porcelain, bones, fruit seeds etc.) **please remove them carefully**.
5. Inspect the trap and remove any food residues. **NEVER REMOVE** the wash-cycle pump protection (black detail) (Fig 4).



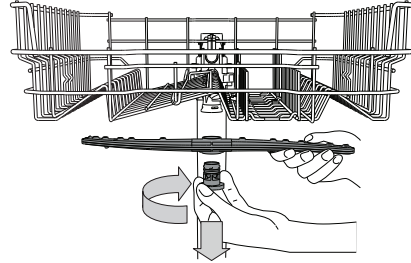
After cleaning the filters, re-place the filter assembly and fix it in position correctly; this is essential for maintaining the efficient operation of the dishwasher.

## CLEANING THE WATER INLET HOSE

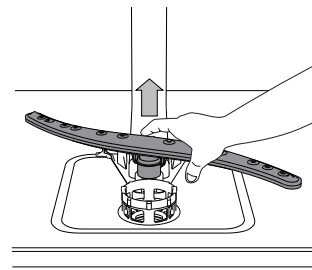
If the water hoses are new or have not been used for an extended period of time, let the water run to make sure it is clear and free of impurities before performing the necessary connections. If this precaution is not taken, the water inlet could become blocked and damage the dishwasher.

## CLEANING THE SPRAY ARMS

On occasions, food residue may become encrusted onto the spray arms and block the holes used to spray the water. It is therefore recommended that you check the arms from time to time and clean them with a small non-metallic brush.



To remove the upper spray arm, turn the plastic locking ring in a clockwise direction. The upper spray arm should be replaced so that the side with the greater number of holes is facing upwards.



The lower spray arm may be removed by pulling it upwards.

## WATER SOFTENING SYSTEM

Water softener automatically reduces water hardness, consequently preventing scale buildup on heater, contributing also to better cleaning efficiency.

**This system regenerates itself with salt, therefore it is required to refill salt container when empty.**




Frequency of regeneration depends on water hardness level setting - regeneration takes place once per **5** Eco cycles with water hardness level set to **3**.

Regeneration process starts in final rinse and finishes in drying phase, before cycle ends.

- Single regeneration consumes: ~3.5L of water;
- Takes up to 5 additional minutes for the cycle;
- Consumes below 0.005kWh of energy.

# TROUBLESHOOTING

In case your dishwasher doesn't work properly, check if the problem can be solved by going through the following list. For other errors or issues please contact authorized After-sales Service which contact details can be found in the warranty booklet. Spare parts will be available for a period of either up to 7 or up to 10 years, according to the specific Regulation requirements.

PROBLEMS	POSSIBLE CAUSES	SOLUTIONS
 Salt indicator is lit	Salt reservoir is empty (after refill the salt indicator may remain lit for several wash cycles).	Refill reservoir with salt (for more information - see page 2). Adjust water hardness (see table, page 2).
 Rinse aid indicator is lit	Rinse aid dispenser is empty (after refill the rinse aid indicator may remain lit for several wash cycles).	Refill dispenser with rinse aid (for more information - see page 2).
The dishwasher won't start or does not respond to commands.	The appliance has not been plugged in properly.	Insert the plug into the socket.
	Power outage.	For safety reasons, dishwasher will not restart automatically when power returns. Press the START/Pause button to resume the cycle.
	The dishwasher door is not closed.	Vigorously push the door until you hear the "click".
	Cycle is interrupted by door opening for > 4 sec.	Close the door and press START/Pause.
The dishwasher won't drain. Display shows: <b>F3</b> and both On/Off and START/Pause LEDs are blinking rapidly.	It does not respond to commands. Display shows: <b>F9</b> or <b>F12</b> and both On/Off and START/Pause LEDs are blinking rapidly.	Switch off the appliance by pressing the ON/OFF button, switch it back on after approximately one minute and restart the program. If problem persists, unplug the appliance for 1 minute, then plug it back in.
	The wash cycle has not finished yet.	Wait until the wash cycle finishes.
	The drain hose is bent.	Check that the drain hose is not bent (see <i>INSTALLATION INSTRUCTION</i> ).
	The sink drain pipe is blocked.	Clean the sink drain pipe.
The dishwasher makes excessive noise.	The filter is clogged up with food residues.	Clean the filter (see <i>CLEANING THE FILTER ASSEMBLY</i> ).
	The dishes are rattling against each other.	Position the crockery correctly (see <i>LOADING THE RACKS</i> ).
The dishes are not clean.	An excessive amount of foam has been produced.	The detergent has not been measured out correctly or it is not suitable for use in dishwashers (see <i>FILLING THE DETERGENT DISPENSER</i> ). Restart dishwasher by pressing the DRAIN button (see <i>OPTIONS AND FUNCTIONS</i> ) and run new program without detergent.
	The crockery has not been arranged properly.	Arrange the crockery correctly (see <i>LOADING THE RACKS</i> ).
	The spray arms cannot rotate freely, being hindered by the dishes.	Arrange the crockery correctly (see <i>LOADING THE RACKS</i> ).
	The wash cycle is too gentle.	Select an appropriate wash cycle (see <i>PROGRAMS TABLE</i> ).
	An excessive amount of foam has been produced.	The detergent has not been measured out correctly or it is not suitable for use in dishwashers (see <i>FILLING THE DETERGENT DISPENSER</i> ).
	The cap on the rinse aid compartment has not been shut correctly.	Make sure the cap of the rinse aid dispenser is closed.
	The filter is soiled or clogged.	Clean the filter assembly (see <i>CARE AND MAINTENANCE</i> ).
The dishwasher does not fill the water. Display shows:  and <b>F6</b> , both On/Off and START/Pause LEDs are blinking rapidly.	There is no salt.	Fill the salt reservoir (see <i>FILLING THE SALT RESERVOIR</i> ).
	No water in the water supply or the tap is closed.	Make sure there is water in the water supply or the tap running.
	The inlet hose is bent.	Make sure the inlet hose is not bent (see <i>INSTALLATION</i> ) reprogram the dishwasher and reboot.
Dishwasher finishes the cycle prematurely. Display shows: <b>F5</b> and both On/Off and START/Pause LEDs are blinking rapidly.	The sieve in the water inlet hose is clogged; it is necessary to clean it.	After having carried out the verification and cleaning, turn off and turn on the dishwasher and restart a new program.
	Drain hose positioned too low or siphoning into home sewage system.	Check if end of drain hose is placed at correct height (see <i>INSTALLATION</i> ). Check for siphoning into home sewage system, install air admittance valve if necessary.
	Air in water supply.	Check water supply for leaks or other issues letting air inside.



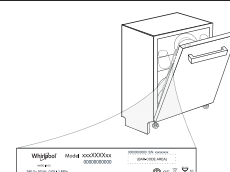
**Policies, standard documentation, ordering of spare parts and additional product information can be found by:**

**Policy and standard documentation and additional product information can be found by:**

- Visiting our website [docs.whirlpool.eu](https://docs.whirlpool.eu) and [parts-selfservice.europeanappliances.com](https://parts-selfservice.europeanappliances.com)
- Using QR Code
- Alternatively, **contact our After-sales Service** (See phone number in the warranty booklet). When contacting our After-sales Service, please state the codes provided on your product's identification plate.

The model information can be retrieved using the QR-Code reported in the energy label.

The label also includes the model identifier that can be used to consult the portal of the registry at <https://eprel.ec.europa.eu>.



**400011673361B**

10/2025 dk - Xerox Fabriano



يمكنك تحميل تعليمات السلامة ودليل المستخدم ، من خلال زيارة موقعنا  
docs.whirlpool.eu واتباع التعليمات الموجودة على ظهر الكتيب.



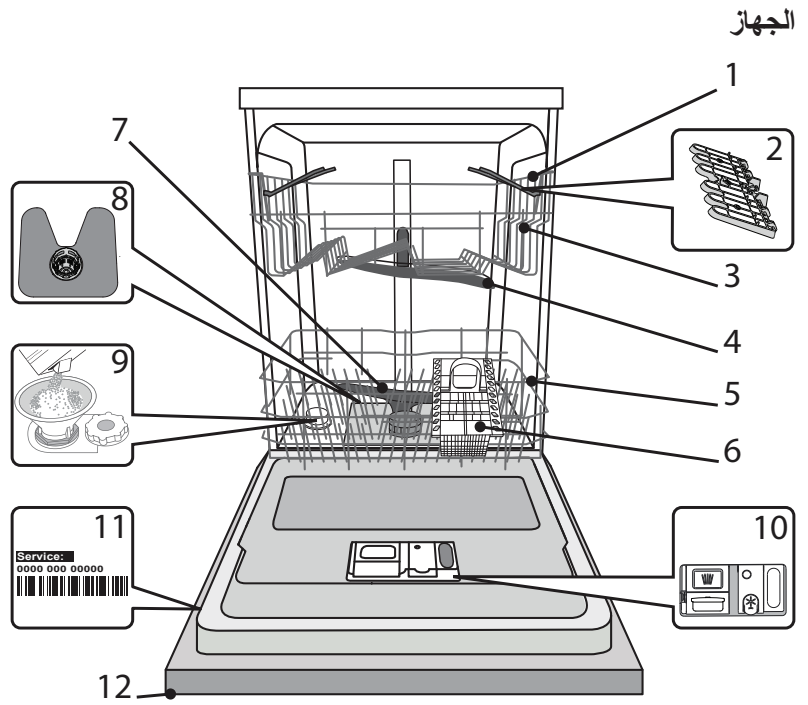
شرك على شرائك أحد منتجات شركة WHIRLPOOL .  
للحصول على المساعدة الكاملة، يرجى تسجيل جهازك على:  
www.whirlpool.eu/register



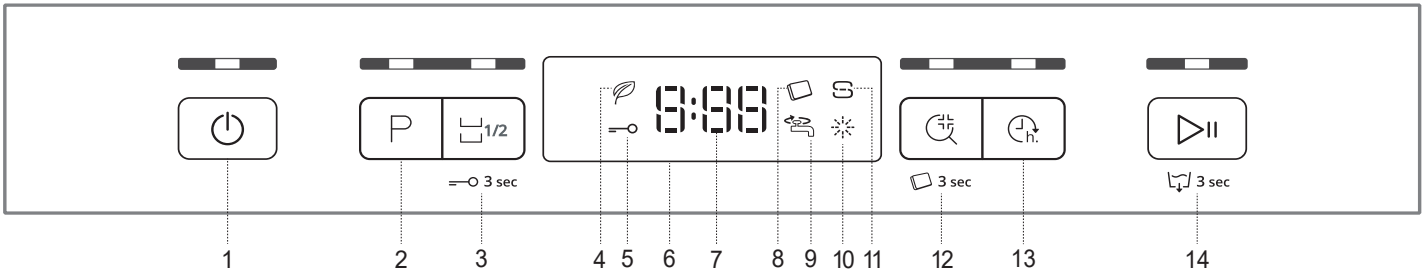
قبل استخدام الجهاز اقرأ تعليمات السلامة بعناية.

## شرح المنتج

1. الرف العلوي
2. أغطية قلابية
3. ضابط ارتفاع الرف العلوي
4. ذراع الرش العلوي
5. الرف السفلي
6. سلة أدوات المائدة
7. ذراع الرش السفلي
8. مجموعة الفلتر
9. خزان الملح
10. حبيبات مادة الغسيل ومساعد الشطف
11. لوحة الصنع
12. لوحة التحكم



## لوحة التحكم



8. قرص الغسيل المؤشر الضوئي
9. لمبة بيان غلق صنوبر الماء
10. لمبة بيان إعادة ملء مساعد الشطف
11. لمبة بيان إعادة ملء الملح
12. زر وظيفة شطف التعقيم مع لمبة بيان ن / قرص الغسيل (قرص)
13. زر وظيفة تأخير بدء التشغيل مع لمبة بيان
14. زر التشغيل/الإيقاف المؤقت مع لمبة بيان / التصريف

1. زر التشغيل والإيقاف/إعادة الضبط مع لمبة بيان
2. زر اختيار البرنامج مع لمبة بيان
3. زر وظيفة نصف الكمية مع لمبة بيان / قفل المفاتيح
4. لمبة بيان البرنامج الاقتصادي
5. لمبة بيان قفل المفاتيح
6. وحدة عرض
7. مبيّن رقم البرنامج والوقت المتبقي

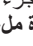
# الاستخدام لأول مرة الملح، ومساعد الشطف ومادة الغسل

## إرشاد بخصوص الاستخدام لأول مرة

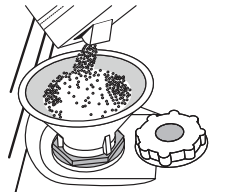
بعد التركيب، قم بإزالة المصدات من الأرفف وعناصر التثبيت المطاطية من الرف العلوي.

## ملء خزان الملح

يعمل استخدام الملح على منع تكون الترسبات الجيرية على الأطباق وعلى المكونات الوظيفية للغسالة.

- يلزم بشكل صارم ألا يكون خزان الملح فارغاً.
- من المهم ضبط درجة عسر الماء.
- يوجد خزان الملح في الجزء السفلي من غسالة الأطباق (انظر شرح المنتج) ويجب ملئه عندما تضيء لمبة بيان إعادة ملء الملح  الموجودة في لوحة التحكم.

1. أخرج الرف السفلي وقم بفتح غطاء الخزان (عكس اتجاه عقارب الساعة).
2. فقط عند تشغيل الجهاز لأول مرة قم بالتالي: املا خزان الملح بالماء.
3. ضع القمع (انظر الشكل) واملأ خزان الملع حتى حافته (حوالي 1 كجم)، يعتبر تسرب قدر بسيط من الماء أمراً عادياً.
4. أخرج القمع وامسح أية بقايا للملح من الفتحة.



تأكد أن الغطاء مربوط بإحكام، بحيث لا تصل مادة الغسل إلى الخزان أثناء عمل برنامج الغسيل (قد يتسبب هذا في إلحاق أضرار بمزيل عسر الماء لا يمكن إصلاحها).

وقتما تريد إضافة الملح، يلزم إتمام ذلك قبل بدء دورة الغسيل لتجنب حدوث صدأ.

## ضبط درجة عسر الماء

لضمان عمل مزيل عسر الماء بشكل مثالي، من الضروري أن يتم ضبط مستوى عسر الماء طبقاً لدرجة عسر الماء الحقيقية في منزلك. يمكن معرفة هذه المعلومة من مرفق المياه المحلي. يتم ضبط القيمة الافتراضية لدرجة عسر الماء في المصنع.

- قم بتشغيل الجهاز بالضبط على زر الإيقاف/إعادة.
- أوقف الجهاز بالضبط على زر الإيقاف/إعادة.
- احتفظ بزر التشغيل/الإيقاف المؤقت مضغوطة لمدة 5 ثوانٍ إلى أن تسمع إشارة صوتية.
- قم بتشغيل الجهاز بالضبط على زر الإيقاف/إعادة.
- يومض رقم مستوى الاختيار الحالي ولمبة بيان الملح معاً.
- اضغط على الزر P لاختيار درجة عسر الماء المرغوبة (انظر جدول عسر الماء).

## جدول عسر الماء

المستوى	الدرجات الألمانية	الدرجات الفرنسية	Clark°	الدرجات الإنجليزية
1	6 - 0	10 - 0	7 - 0	يسر
2	11 - 7	20 - 11	14 - 8	متوسط
3	12 - 16	21 - 29	20 - 15	متوسط
4	17 - 34	30 - 60	42 - 21	عسر
5	35 - 50	61 - 90	62 - 43	عسر جدا

- أوقف الجهاز بالضبط على زر الإيقاف/إعادة.
- تم الإعداد.

بمجرد انتهاء هذه العملية قم بتشغيل برنامج بدون وضع أطباق.

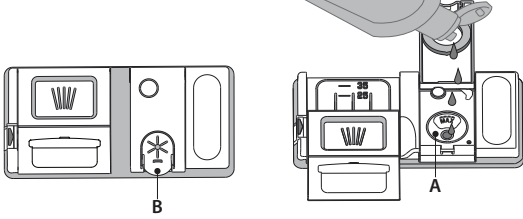
اقتصر على استخدام الملح المصمم خصيصاً لغسالات الأطباق. بعد سكب الملح في الغسالة تنظف لمبة بيان إعادة ملء الملح.

إذا كان وعاء الملح غير ممتلئ، قد يتلف عندئذ مزيل عسر الماء وعنصر التسخين نتيجة التراكبات الكلسية.

يُنصح باستخدام الملح مع أي منظف من منظفات غسالة الأطباق.

## ملء حجيرة مساعد الشطف

يعمل مساعد الشطف على تسهيل تجفيف الأطباق. ينبغي ملء حجيرة مساعد الشطف A عند إضاءة لمبة بيان إعادة ملء مساعد الشطف  الموجودة في لوحة التحكم.



1. افتح الحجيرة B بالضبط على المقبض الموجود بالغطاء وجذبه إلى أعلى.
  2. أضف مساعد الشطف بحرص حتى الحز المرجعي الأقصى (110 مل) بحيز الملع - تجنب انسكاب مساعد الشطف. إذا حدث هذا فقم بتنظيف أي انسكاب باستخدام قطعة قماش جافة.
  3. اضغط الباب إلى أسفل إلى أن تسمع صوت كليك حتى يتم غلقه.
- لا تقم أبداً بصب مساعد الشطف مباشرة في الحوض.

## ضبط كمية مساعد الشطف

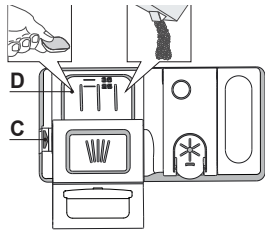
إذا كنت غير راضٍ بشكل كافٍ عن نتائج التجفيف، يمكنك ضبط كمية مساعد الشطف المستخدمة.

- قم بتشغيل غسالة الأطباق باستخدام زر الإيقاف/إعادة.
  - قم بإيقافها باستخدام زر الإيقاف/إعادة.
  - اضغط الزر التشغيل/الإيقاف المؤقت ثلاث مرات - تصدر إشارة صوتية.
  - قم بتشغيلها باستخدام زر الإيقاف/إعادة.
  - يومض رقم مستوى الاختيار الحالي ولمبة بيان مساعد الشطف.
  - اضغط على الزر P لاختيار مستوى كمية مساعد الشطف المراد استخدامها.
  - قم بإيقافها باستخدام زر التشغيل/الإيقاف.
- تم الإعداد.
- إذا تم ضبط مستوى مساعد الشطف على 1 (الوضع الاقتصادي)، لن يتم استخدام مساعد شطف. لن تضيء لمبة بيان انخفاض مستوى مساعد الشطف في حالة نفاذ مساعد الشطف. يمكن ضبط 5 مستويات كحد أقصى طبقاً لموديل غسالة الأطباق. تم تحديد إعداد المصنع لهذا الموديل، لذلك يرجى اتباع التعليمات في الأعلى للتحقق من هذا الإعداد بالنسبة لجهازك.
- إذا لاحظت وجود خطوط زرقاء على الأطباق فقم بضبط رقم منخفض (2-3).
  - إذا كانت هناك قطرات ماء أو آثار ترسبات جيرية على الأطباق، قم بضبط رقم مرتفع (4-5).

## ملء حجيرة مساعد الشطف

لفتح حجيرة مادة الغسل استخدم أداة الفتح C. ضع مادة الغسل في الحجيرة الجافة D فقط. ضع كمية مادة الغسل الخاصة بالغسيل الأولي في الحوض مباشرة.

1. عند معايرة المنظف اقرأ المعلومات المشار إليها سابقاً لإضافة الكمية الصحيحة. داخل توجد مؤشرات للمساعدة في D الموزع تحديد جرعة المنظف.



2. أزل بقايا مادة الغسل من حواف الحجيرة وأغلق الغطاء إلى أن يصدر صوت كليك.

3. أغلق غطاء حجيرة مادة الغسل بجذبه إلى أعلى إلى أن يتم تأمين تجهيزة الغلق.

تفتح حجيرة مادة الغسل أوتوماتيكياً في الوقت المناسب تبعاً للبرنامج.

في حالة استخدام مادة غسل الكل في واحد ننصح

باستخدام زر قرص الغسيل لأنه يقوم بضبط

البرنامج بحيث يتم الحصول دائماً على أفضل نتائج للغسل والتجفيف.

قد يسبب استخدام مادة غسل غير مصممة لغسالات الأطباق إلحاق العطل أو التلف بالجهاز.

البرنامج	تجفيف المرحلة	الوظائف الاختيارية المتاحة*	مدة برنامج الغسل (س:دقيقة)**	استهلاك الماء (لتر/دورة)	استهلاك الطاقة (كيلوواط ساعة/دورة)
1. اقتصادي	✓	1/2, 1h, 1h, 1h	3:20	12,0	1,04
2. برنامج مكثف	✓	1/2, 1h, 1h, 1h	2:30	16,0	1,50
3. مختلط	✓	1/2, 1h, 1h, 1h	2:25	16,0	1,35
4. برنامج سريع 30'	-	1h, 1h, 1h	0:30	9,0	0,60
5. غسل أولي	-	1/2, 1h	0:10	4,0	0,01

بيانات البرنامج اقتصادي مقاسة في ظروف المختبر وفقا للمواصفة الأوروبية EN 60436:2020.

ملاحظة لمختبرات الفحوص: للمعلومات المتعلقة بشروط اختبارات الملاءمة EN، الرجاء إرسال بريد إلكتروني إلى العنوان التالي: [dw\\_test\\_support@europeanappliances.com](mailto:dw_test_support@europeanappliances.com)

المعالجة الأولية للأطباق غير ضرورية قبل أي برنامج.

(\* لا يمكن استخدام كافة الوظائف الاختيارية في نفس الوقت.

\*\* القيم الموضحة للبرامج غير برنامج Eco هي قيم استرشادية فقط. قد تختلف المدة الحقيقية تبعا للعديد من العوامل مثل درجة حرارة الماء الداخل وضغطه ودرجة حرارة الغرفة وكمية مادة الغسل وكمية الأواني وتوازنها والوظائف الاختيارية الإضافية المختارة ومعايرة المستشعر. قد تتسبب معايرة المستشعر في زيادة مدة البرنامج بما يصل إلى ٢٠ دقيقة.

## وصف البرامج

### التعليمات الخاصة باختيار دورة الغسيل.

#### 1 اقتصادي

برنامج Eco مناسب لتنظيف أدوات المائدة المتسخة بدرجة عادية، ولهذا الغرض، يعتبر هذا البرنامج من أهم البرامج بالنسبة لاستهلاك الطاقة والماء، حيث يستخدم لتقييم التوافق مع التصميم الصديق للبيئة من لوائح الاتحاد الأوروبي.

#### 2 برنامج مكثف

برنامج موصى به عند غسل الأواني شديدة الاتساخ وهو مناسب للمقالي والأواني بشكل خاص (لا يستخدم مع الأواني الحساسة).

#### 3 مختلط

اتساخات متنوعة. للأطباق المتسخة بدرجة عادية مع بقايا الأطعمة الملتصقة.

#### 4 برنامج سريع 30'

يستخدم لتنظيف نصف حمولة غسل الأطباق من الأواني المتسخة بدرجة خفيفة بدون وجود بقايا جافة للأطعمة. ليس بها مرحلة تجفيف.

#### 5 غسل أولي

الغسل الأولي النقع يستخدم لتنشيط الأواني المقرر غسلها لاحقًا. لا يتم استخدام مادة غسل مع هذا البرنامج.

#### ملاحظات:

يرجى ملاحظة أن دورة برنامج سريع 30' مخصصة للأطباق المتسخة بدرجة خفيفة.

# الوظائف الاختيارية والوظائف

يمكن اختيار الوظائف الاختيارية مباشرة بالضغط على الأزرار المعنية (انظر لوحة التحكم).

في حالة عدم توافق الوظيفة الاختيارية مع البرنامج المختار انظر جدول البرامج تومض لمبة LED المعنية بشكل سريع 3 مرات وتصدر إشارات صوتية. ولن يتم تفعيل الوظيفة الاختيارية.

## 1/2 نصف الكمية

في حالة عدم وجود عدد كبير من الأطباق للغسيل يمكن أن تستخدم دورة نصف الكمية لتوفير الماء والكهرباء ومادة الغسل. اختر البرنامج ثم اضغط على زر نصف الكمية: تضيء لمبة البيان. اضغط على زر نصف الكمية لاختيار هذه الوظيفة الإضافية. تذكر استخدام نصف كمية مادة الغسل.

## قفل المفاتيح

بضغط طويلة (لمدة ثالث ثوان) على زر نصف الكمية تفعيل وظيفة قفل المفاتيح. تقوم وظيفة قفل المفاتيح بفتح لوحة التحكم باستثناء زر التشغيل/الإيقاف. لإيقاف فعالية قفل المفاتيح اضغط على الزر مجدداً.

## إنذار غلق صنبور الماء

يومض الإنذار في حالة انعدام سحب الماء أو عند غلق صنبور الماء.

## شطف التعقيم

يمكن استخدام هذا الاختيار لتعقيم الأطباق المغسولة. تزيد من درجة حرارة الشطف النهائي وتضيف غسيل مضاد للبكتيريا إلى البرنامج المختار.

اختر برنامج الغسيل، اضغط على زر شطف التعقيم، تضيء لمبة البيان. لإلغاء اختيار الوظيفة الاختيارية اضغط على نفس الزر مجدداً. مثالية لتنظيف أدوات المائدة وزجاجات الرضاعة. يجب أن يظل باب غسالة الأطباق مغلقاً طوال فترة عمل البرنامج بالكامل لضمان تقليل الجراثيم. في حالة فتح الباب تبدأ لمبة البيان في الوميض.

تحذير: قد تصبح الأواني والأطباق ساخنة للغاية بعد انتهاء الدورة.

## قرص الغسيل (قرص)

يُتيح هذا الإعداد تحسين مستويات أداء البرنامج طبقاً للمنظفات المستخدمة. اضغط شطف التعقيم الغسيل لمدة 3 ثوان (بضوء الرمز المعنى) في حالة استخدام مواد غسل مجمعة في شكل قرص غسيل (مساعد شطف وملح ومادة غسل في قرص واحد). في حالة استخدام مسحوق أو سائل غسل ينبغي أن تكون هذه الوظيفة الاختيارية متوقفة.

## تأخير بدء التشغيل



يمكن تأخير بدء تشغيل البرنامج لمدة زمنية تتراوح بين 0:30 ساعة و 24 ساعة.

1. اختر البرنامج وأي وظائف اختيارية مرغوبة. اضغط على زر تأخير بدء التشغيل (بشكل متكرر) لتأخير بدء تشغيل البرنامج. يمكن ضبط المدة من 0:30 ساعة إلى 24 ساعة. مع كل ضغط على الزر تتزايد فترة تأخير بدء التشغيل بمقدار: 0:30 إذا تم اختيار فترة نقل عن 4 ساعات، و 1:00 إذا تم اختيار فترة نقل عن 12 ساعة، و 4 ساعات إذا تم اختيار فترة تزيد عن 12 ساعة. في حالة الوصول إلى 24 ساعة، وتم الضغط على الزر يتم إيقاف فعالية وظيفة تأخير بدء التشغيل.

2. اضغط على زر التشغيل/الإيقاف المؤقت: يبدأ الميقاتي في العد التنازلي،

3. بمجرد انقضاء هذا الوقت تنطفئ لمبة البيان ويبدأ البرنامج أوتوماتيكياً. في حالة الضغط على زر التشغيل/الإيقاف المؤقت مرة أخرى أثناء العد التنازلي يتم إلغاء الوظيفة الاختيارية لتأخير بدء التشغيل ويبدأ البرنامج المختار أوتوماتيكياً. لا يمكن ضبط وظيفة تأخير بدء التشغيل بمجرد بدء عمل البرنامج.

## التصريف

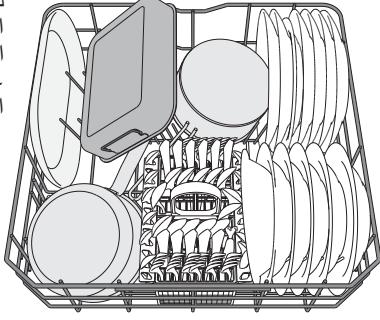


لإيقاف دورة فعالة أو إلغاؤها يمكن استخدام وظيفة التصريف. عند الضغط لفترة طويلة على زر التشغيل/الإيقاف المؤقت يتم تفعيل وظيفة التصريف. يتم إيقاف البرنامج الفعال ويتم تصريف الماء من غسالة الأطباق.

# وضع الأطباق على الأرفف

## الرف السفلي

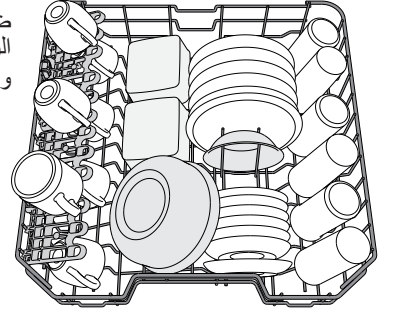
للأواني والأغطية والأطباق والسلة وأدوات المائدة وخلافه. من الأفضل وضع الأطباق والأغطية الكبيرة على الأجناب لتجنب اصطدامها بأذرع الرش.



(مثال لكيفية ملء الرف السفلي)

## الرف العلوي

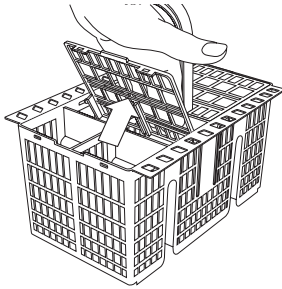
ضع الأطباق الحساسة والخفيفة: الأكواب الزجاجية والفناجين وصحون الفناجين وأطباق السلطة قليلة العمق.



(مثال لكيفية ملء الرف العلوي)

## سلة أدوات المائدة

السلة التركيبية مجهزة بشبكات علوية لترتيب أدوات المائدة بصورة أفضل. يجب وضع سلة أدوات المائدة في مقدمة الرف السفلي فقط.



يجب وضع السكاكين والأواني ذات الحواف الحادة في سلة أدوات المائدة، بحيث تكون النقاط الحادة متجهة إلى أسفل أو يمين وضعها بشكل أفقي بموضع منع النقلاب في الرف العلوي

## ضبط ارتفاع الرف العلوي

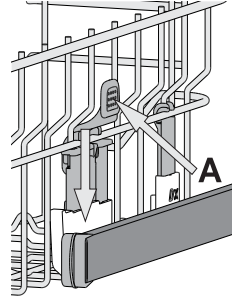
يمكن ضبط ارتفاع الرف العلوي: الوضع العلوي لإدخال الأواني كبيرة الحجم إلى السلة السفلية والوضع السفلي للاستفادة القصوى من دعائم منع الانقلاب بإتاحة حيز أكبر فوقها وتجنب الاصطدام بالأشياء الموضوعة في الرف السفلي.

الرف العلوي مزود بضوابط ارتفاع الرف العلوي (انظر الشكل)، دون الضغط على الأذرع قم برفعها ببساطة عن طريق مسك جوانب الرف، بمجرد تثبيت الرف في وضعه العلوي.

**A** للعودة إلى الوضع السفلي اضغط على الأذرع الموجودة على جوانب الرف وحرك السلة إلى أسفل.

تنصح بشد ألا تقوم بضبط ارتفاع الرف أثناء وجود الأواني فيه.

لا تقم أبدا برفع أو إنزال السلة من جانب واحد.

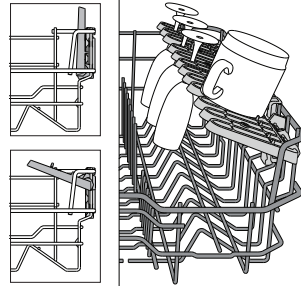


## أغطية القلاب القابلة للضبط

جانب الأغطية القلابية يمكن طيه أو فرده لتحسين ترتيب الأواني داخل الحامل. يمكن وضع الكؤوس بأمان على الأغطية القلابية عن طريق إدخال ساق كل كأس في الفتحة المناسبة.

اعتمادا على الموديل:

- لفرد الأغطية تحتاج لرفعها وتدويرها أو تحريرها من المشابك وسحبها لأسفل.
- لطى الأغطية تحتاج لتدويرها وسحبها لأسفل أو رفعها وربط الأغطية بالمشابك.



# الاستخدام اليومي

**تعديل برنامج مشغل**  
في حالة اختيار برنامج خاطئ، يمكنك تغييره، بشرط أن يكون قد بدء للتو: اضغط على زر **تشغيل/إيقاف** وستتوقف الغسالة.  
أعد تشغيل الغسالة باستخدام زر **تشغيل/إيقاف** واختر دورة الغسيل الجديدة وأية وظائف اختيارية أخرى، ابدأ الدورة من خلال مع الضغط على زر **التشغيل/الإيقاف المؤقت**.

**وضع أواني إضافية**  
دون إيقاف الغسالة افتح الباب (انتبه للبخار الساخن.) وضع الأواني داخل غسالة الأطباق. أغلق الباب، واضغط على زر **التشغيل/الإيقاف المؤقت** ستبدأ الدورة من حيث توقفت.

**التوقيفات غير المقصودة**  
إذا تم فتح الباب أثناء دورة الغسيل، أو إذا انقطع التيار الكهربائي، تتوقف الدورة بمجرد غلق الباب أو عودة التيار اضغط على زر **التشغيل/الإيقاف المؤقت** لاستكمال الدورة من حيث توقفت.

**إيقاف وضع الاستعراض** يجب إجراء الخطوات التالية بالتتابع ومن دون توقف. قم بتشغيل الماكينة وأوقفها مرة أخرى. اضغط على زر تأخير بدء التشغيل حتى سماع الصافرة. قم بتشغيل الماكينة مرة أخرى. يومض مؤشر "dOF" وينطفئ مرة أخرى.

- فحص وصلة الماء**  
تأكد أن غسالة الأطباق موصلة بمصدر الماء وأن الصنبور مفتوح.
- تشغيل غسالة الأطباق**  
اضغط على زر **التشغيل/الإيقاف**.
- وضع الأواني على الأرفف**  
(انظر وضع الأطباق على الأرفف)
- ملء حجرة مادة الغسل**
- اختيار البرنامج وتخصيص الدورة**  
. اختر البرنامج الملائم تبعاً لنوع الأواني ودرجة الاتساخ (انظر وصف البرامج) بالضغط على زر **P**. اختر الوظائف الاختيارية المرغوبة (انظر الوظائف الاختيارية والوظائف)
- التشغيل**  
ابدأ دورة الغسيل بالضغط على زر **التشغيل/الإيقاف المؤقت**. عند بدء البرنامج ستصدر إشارة صوتية.
- نهاية دورة الغسيل**  
يتم الإشارة إلى نهاية دورة الغسيل عن طريق صدور إشارة صوتية وتظهر على الشاشة كلمة END (النهاية).  
افتح الباب وأطفئ الجهاز عن طريق الضغط على زر **تشغيل/إيقاف**.  
انتظر لعدة دقائق قبل إخراج أواني الطهي - لتجنب الإصابة بحروق. قم بتفريغ الأرفف بدءاً من الرف السفلي.

تتوقف الغسالة أوتوماتيكياً في حالة عدم تشغيلها لفترة طويلة، وذلك لتقليل استهلاك الكهرباء. في حالة الاتساخ الخفيف للأواني أو في حالة شطفها بالماء قبل إدخالها في غسالة الأطباق قم بتقليل كمية مادة الغسل تبعاً لذلك.

## إرشادات ونصائح

**تعرض الأكواب والأواني لأضرار**  
• اقتصر على استخدام الأكواب والأواني المصنوعة من البورسلين التي تضمن الجهة الصانعة لها أنها آمنة الاستخدام في غسالات الأطباق.  
• استخدم مادة الغسل الرقيقة المناسبة للأواني  
• أخرج الأكواب وأدوات المائدة من الغسالة بمجرد انتهاء الدورة.

**إرشادات بشأن توفير الطاقة**  
• عندما تستخدم غسالة الأطباق المنزلية تبعاً لتعليمات الجهة الصانعة، يستهلك عادة سيل أدوات المائدة طاقة أقل وماء عن غسيل الأطباق باليد.

• لزيادة كفاءة غسالة الأطباق يُنصح ببدء دورة الغسيل فور تحميل غسالة الأطباق بالكامل. سيساهم تحميل غسالة الأطباق المنزلية حتى السعة الاستيعابية المحددة من قبل الجهة الصانعة في توفير الطاقة والماء. يمكن إيجاد معلومات بشأن وضع الأواني بشكل صحيح في فصل تحميل الأرفف. في حالة التحميل الجزئي يُنصح باستخدام خيارات الغسيل المحددة عند توفرها (تحميل جزئي / غسيل النطاق / متعدد النطاقات)، تحميل فقط الأرفف المحددة. قد يتسبب التحميل غير الصحيح أو زيادة تحميل غسالة الأطباق في زيادة استهلاك الموارد (مثل الماء والطاقة والوقت، وزيادة مستوى الضوضاء) وتقليل التنظيف ومستوى التجفيف.  
• قد يؤدي الشطف الأولي اليدوي لأواني المائدة في زيادة استهلاك الماء والطاقة وغير موصى بذلك.

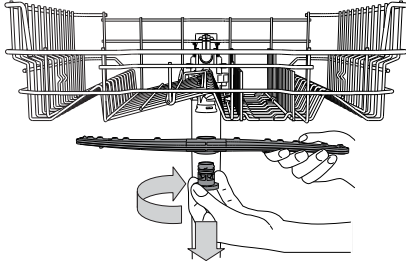
**التعقيم الصحي**  
لتجنب تكون الروائح الكريهة والرواسب في غسالة الأطباق يرجى تشغيل برنامج درجة حرارة مرتفعة مرة واحدة شهرياً على الأقل. استخدم ملعقة صغيرة من مادة الغسل وشغل الغسالة دون وضع أي شيء فيها حتى يتم تنظيف الجهاز.

**نصائح**  
قبل وضع الأغراض في السلال، قم بإزالة جميع بقايا الطعام من أواني الطهي وقم بإفراغ الأكواب. لا حاجة لشطف الأواني بالماء الجاري قبل إدخالها.  
قم بترتيب الأواني بحيث تثبت في مكانها ولا تتقلب، وقم بتنظيم العلب بحيث تكون فتحتها متجهة إلى أسفل والأجزاء المقعرة/المحدبة مائلة، مما يسمح للماء بالتدفق بحرية والوصول إلى مختلف الأسطح.  
تحذير: الأغطية والمقابض والصواني والمقالي لا تعيق أزراع الرش عن الدوران. ضع الأشياء الصغيرة في سلة أدوات المائدة.  
يجب وضع الأطباق والأواني المتسخة بشدة في السلة السفلية، لأن هذا الجزء يتعرض لرداء أقوى من الماء ويتيح أداء غسيل أقوى.  
قبل وضع الأواني في الجهاز تأكد أن أزراع الرش يمكنها الدوران بحرية.

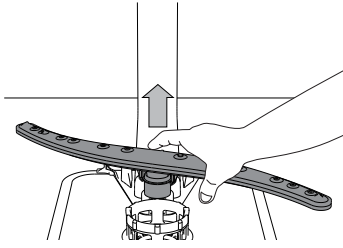
**الأواني غير الملائمة**  
• الأواني وأدوات المائدة الخشبية.  
• الأكواب الحساسة المزخرفة، أواني الطهي المصنوعة يدوياً أو التي تعتبر قطعاً فنية.  
• فعناصر الزينة غير مقاومة للمؤثرات داخل الغسالة.  
• الأجزاء المصنوعة من خامات تليقية لا تتحمل درجات الحرارة العالية.  
• أواني النحاس والقصدير.  
• الأواني المتسخة بالرماد أو الشمع أو شحم التزليق أو الحبر.  
قد تتغير ألوان عناصر زينة الأكواب وقطع الألمنيوم/الفضة وتبهت أثناء عملية الغسيل. بعض أنواع الزجاج (على سبيل المثال الأشياء المصنوعة من الكريستال) قد تتحول إلى اللون الداكن بعد غسلها أكثر من مرة.

## تنظيف أذرع الرش

أحياناً قد تغطي بقايا الطعام أذرع الرش وتسد الفتحات المستخدمة في رش الماء. لذا ينصح بفحص الأذرع من وقت لآخر وتنظيفها باستخدام فرشاة صغيرة غير معدنية.



لإزالة ذراع الرش العلوي، أدر حلقة التثبيت البلاستيكية في اتجاه عقارب الساعة عند إعادة تركيب ذراع الرش احرص على أن يكون الجانب الذي يحتوي على عدد أكبر من الفتحات متجهاً إلى أعلى. يمكن خلع ذراع الرش السفلي بجذبه إلى أعلى.



## نظام تقليل عسر الماء

يقلل مزيج عسر الماء أو توماتيكياً درجة عسر الماء، وبالتالي يمنع تراكم القشرة الكلسية بعنصر التسخين، مما يساهم أيضاً في تحسين كفاءة عملية التنظيف. يجدد هذا النظام نفسه عن طريق الملح، ولهذا يلزم إعادة ملء وعاء الملح عند فراغه. يعتمد تكرار التجديد على ضبط مستوى درجة عسر الماء - يتم التجديد مرة كل 5 من دورات الغسيل ECO مع ضبط مستوى درجة عسر الماء على 3. تبدأ عملية التجديد في مرحلة الشطف النهائي وتنتهي في مرحلة التجفيف، قبل انتهاء الدورة.

- يستهلك التجديد الفردي: ~3.5 لتر من الماء،
- حيث يستغرق ما يقرب من 5 دقائق إضافية للدورة،
- ويستهلك أقل من 0.005 كيلووات من الطاقة.

## تنظيف مجموعة الفلتر

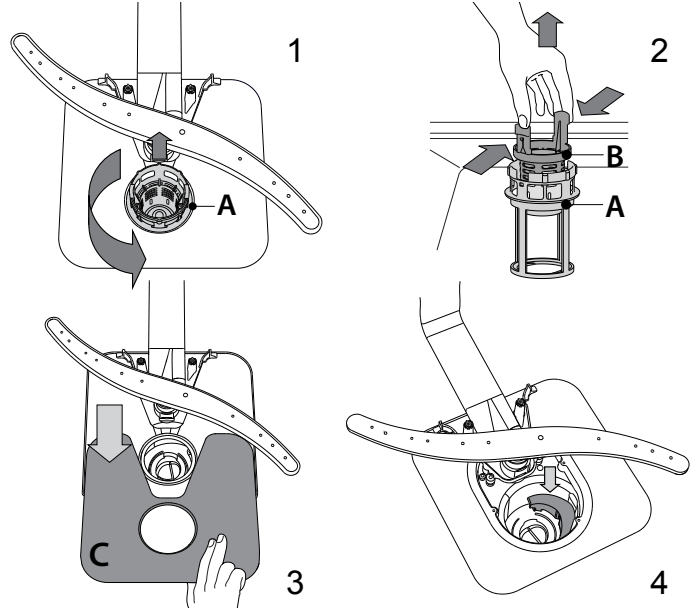
احرص على تنظيف مجموعة الفلتر بانتظام بحيث لا يتعرض للانسداد، ويظل الماء المستخدم يتدفق إلى الخارج بشكل صحيح.

قد يتسبب استخدام غسالة أطباق بفلتر مسدودة أو بوجود أجسام غريبة داخل نظام التصفية أو أذرع الرش، إلى تعطل الوحدة الناتج عنه انخفاض الأداء وصدور ضوضاء أو زيادة استهلاك الموارد.

تتكون مجموعة الفلتر من ثلاثة فلاتر، تعمل على إزالة بقايا الطعام من ماء الغسيل ثم إعادة تدوير الماء: للحصول على أفضل نتائج غسيل يجب أن تظل نظيفة.

يجب ألا يتم استخدام غسالة الأطباق دون فلتر أو إذا كان الفلتر سائباً. على الأقل مرة واحدة كل شهر أو بعد 30 دورة، افحص مجموعة الفلتر ونظفها إذا لزم الأمر أسفل ماء جاري، استخدم فرشاة غير معدنية واتبع التعليمات الموضحة أدناه:

1. أدر الفلتر الأسطواني A عكس اتجاه عقارب الساعة واجذبه للخارج (الشكل 1).
2. أخرج فلتر الفناجين B بالضغط الخفيف على الأغطية الجانبية القلابية (الشكل 2).
3. أخرج فلتر الأطباق المصنوعة من الاستانلس ستيل C (الشكل 3).
4. في حالة وجود أجسام غريبة (مثل زجاج مكسور، بوسلين، عظام، بذور فواكة إلخ.) يُرجى إزالتها بحرص.
5. افحص مصفاة الفلتر وأزل أي بقايا للأطعمة. لا تقم أبداً بخلع واقية مضخة دورة الغسيل (الجزء الأسود) (الشكل 4).



بعض تنظيف الفلاتر أعد تركيب مجموعة الفلتر وثبتها في موضعها بشكل صحيح، وهذا ضروري للحفاظ على كفاءة تشغيل غسالة الأطباق.

## تنظيف خرطوم سحب الماء

إذا كانت خرطوم الماء جديدة أو لم تستخدم لفترة طويلة، فاترك الماء يجري بداخلها للتأكد من نظافتها وخلوها من الاتساخات قبل عمل التوصيلات المطلوبة. إذا لم يوضع هذا الاحتياط في الاعتبار فقد ينسد مدخل الماء الأمر ويلحق أضراراً بغسالة الأطباق.

# دليل تحري الأعطال

في حالة عدم عمل غسالة الأطباق بشكل صحيح، تحقق مما إذا كان يمكن حل المشكلة من خلال تصفح القائمة التالية. فيما يتعلق بالأخطاء الأخرى أو المشاكل يُرجى الاتصال بخدمة ما بعد البيع المعتمدة حيث يمكنك إيجاد تفاصيل الاتصال في كتيب الضمان. ستتوفر قطع الغيار لمدة تصل إلى 7 سنوات أو إلى 10 سنوات، وفقاً لمتطلبات التشريع الخاصة.

المشكلات	الأسباب المحتملة	الحلول
مؤشر الملح مُضيء	خزان الملح فارغ. (بعد إعادة الملاء، قد يظل مؤشر الملح مضيء لعدة دورات غسيل).	أعد ملء الخزان بالملح (للمزيد من المعلومات - انظر صفحة 2). اضبط درجة عسر الماء - انظر الجدول، صفحة 2.
مؤشر مساعد الشطف مضيء	درج مساعد الشطف فارغ. (بعد إعادة ملء مساعد الشطف قد يظل المؤشر مضيء لعدة دورات غسيل).	أعد ملء الدرج بمساعد الشطف (للمزيد من المعلومات - انظر الصفحة 2).
لا يمكن تشغيل غسالة الأطباق أو غسالة الأطباق لا تستجيب للأوامر.	لم يتم توصيل قابس الجهاز بشكل صحيح. انقطاع التيار.	أدخل القابس في المقبس الكهربائي. لأغراض السلامة، لن يُعاد تشغيل غسالة الأطباق أو توماتيكياً عند عودة التيار الكهربائي. اضغط على زر البدء/الإيقاف المؤقت لإستئناف دورة الغسيل.
	باب غسالة الأطباق غير مغلق.	اضغط على الباب بقوة إلى أن تسمع صوت «كليك».
	تم انقطاع دورة الغسيل لمدة < 4 ثوان بسبب فتح الباب.	أغلق الباب، واضغط على زر التشغيل/الإيقاف
	الغسالة لا تستجيب للأوامر. يظهر على الشاشة: (F9 و F12) وتومض أيضاً مصابيح LED الخاصة بالتشغيل/الإيقاف والبدء/الإيقاف المؤقت بشكل سريع.	أوقف الجهاز بالضغط على زر التشغيل/الإيقاف وأعد تشغيله مرة أخرى بعد ما يقرب من دقيقة واحدة وأعد تشغيل البرنامج. إذا استمرت المشكلة، أفصل الجهاز لمدة دقيقة واحدة، ثم وصله مرة أخرى.
الغسالة لا تقوم بالتصريف. يظهر على الشاشة: (F3) وتومض أيضاً مصابيح LED الخاصة بالتشغيل/الإيقاف والبدء/الإيقاف المؤقت بشكل سريع.	دورة الغسيل لم تكتمل بعد. خرطوم التصريف مثنى. منفذ التصريف مسدود. الفلتر مسدود ببقايا الأطعمة.	انتظر حتى تكتمل دورة الغسيل. تأكد أن خرطوم الصرف ليس مثنياً (انظر تعليمات التركيب). قم بتنظيف منفذ التصريف. قم بتنظيف الفلتر (انظر تنظيف مجموعة الفلتر).
تصدر ضوضاء كبيرة عن غسالة الأطباق.	الأطباق تصطدم ببعضها.	قم بترتيب الأواني بشكل صحيح (انظر وضع الأطباق على الأرفف).
	تكونت رغوة زائدة.	لم تتم معايرة مادة الغسيل بشكل صحيح أو هي غير مناسبة للاستخدام في غسلات الأطباق (انظر ملء حبيرة مادة الغسيل). أعد تشغيل غسالة الأطباق بالضغط على زر التصريف (انظر الوظائف الاختيارية والوظائف) وقم بتشغيل برنامج جديد دون مادة الغسيل.
الأطباق ليست نظيفة.	لم يتم ترتيب الأواني بشكل صحيح. أزرع الرش لا يمكنها الدوران بحرية، بسبب إعاقتها من قبل الأطباق. دورة الغسيل خفيفة للغاية.	قم بترتيب الأواني بشكل صحيح (انظر وضع الأطباق على الأرفف). قم بترتيب الأواني بشكل صحيح (انظر وضع الأطباق على الأرفف).
	تكونت رغوة زائدة.	اختر دورة غسيل مناسبة (انظر جدول البرامج).
	لم يتم معايرة مادة الغسيل بشكل صحيح أو هي غير مناسبة للاستخدام في غسلات الأطباق (انظر ملء حبيرة مادة الغسيل).	لم تتم معايرة مادة الغسيل بشكل صحيح أو هي غير مناسبة للاستخدام في غسلات الأطباق (انظر ملء حبيرة مادة الغسيل).
	لم يتم غلق غطاء حبيرة مساعد الشطف بشكل صحيح. الفلتر متسخ أو مسدود. لا يوجد ملح.	تأكد أن غطاء حبيرة مساعد الشطف مغلق. قم بتنظيف مجموعة الفلتر (انظر العناية والصيانة). املا خزان الملح (انظر ملء خزان الملح).
الأطباق ليست نظيفة. يظهر على الشاشة: (F6) وتومض أيضاً مصابيح LED الخاصة بالتشغيل/الإيقاف والبدء/الإيقاف المؤقت بشكل سريع.	لا يوجد ماء في مصدر الإمداد بالماء أو الصنبور مغلق. انسداد مصفاة خرطوم سحب الماء، يلزم تنظيفها. لا يوجد ملح.	تأكد من وجود ماء في مصدر الإمداد أو من فتح صنبور الماء. تأكد من عدم ثني خرطوم السحب (انظر التركيب) أعد برمجة غسالة الأطباق وأعد تشغيلها.
تنتهي غسالة الأطباق الدورة مبكراً. يظهر على الشاشة: (F5) وتومض أيضاً مصابيح LED الخاصة بالتشغيل/الإيقاف والبدء/الإيقاف المؤقت بشكل سريع.	خرطوم التصريف منخفض للغاية أو مُركب داخل شبكة التصريف المنزلي. الهواء في الإمداد بالماء.	بعد الفحص والتنظيف قم بإيقاف غسالة الأطباق ثم بتشغيلها وأعد ضبط برنامج جديد. تحقق مما إذا كان خرطوم التصريف في الارتفاع الصحيح (انظر التركيب). وتحقق مما إذا كان خرطوم التصريف مُركب داخل شبكة التصريف المنزلي، قم بتركيب صمام دخول الهواء إذا لزم الأمر. تحقق من إمداد الماء بحثاً عن وجود تسربات أو مشاكل أخرى تسمح بدخول الهواء للداخل.

يمكن العثور على مستندات السياسة والمستندات القياسية ومعلومات المنتج الإضافية من خلال:

• زيارة موقعنا الإلكتروني [docs.whirlpool.eu](http://docs.whirlpool.eu) و [parts-selfservice.europeanappliances.com](http://parts-selfservice.europeanappliances.com)

• واستخدام رمز الاستجابة السريع QR

• وكبديل، يمكنك الاتصال بخدمة ما بعد البيع لدينا (راجع رقم التليفون في كتيب الضمان). يرجى عند

الاتصال بخدمة ما بعد البيع ذكر الأكواد المذكورة على لوحة تمييز المنتج.



يمكن الحصول على معلومات المنتج من خلال مسح الكود QR-Code الموجود على ملصق بيانات الطاقة. يتضمن الملصق أيضاً معرف نموذج يمكن استخدامه للاطلاع على موقع التسجيل على الرابط التالي

<https://eprel.ec.europa.eu>

400011673361B

10/2025 dk - Xerox Fabriano



# GUIDE D'UTILISATION QUOTIDIENNE

## D'UTILISATION QUOTIDIENNE



**MERCI D'AVOIR CHOISI UN PRODUIT WHIRLPOOL.**  
Afin de recevoir une assistance plus complète, merci d'enregistrer votre appareil sur on:  
[www.whirlpool.eu/register](http://www.whirlpool.eu/register)

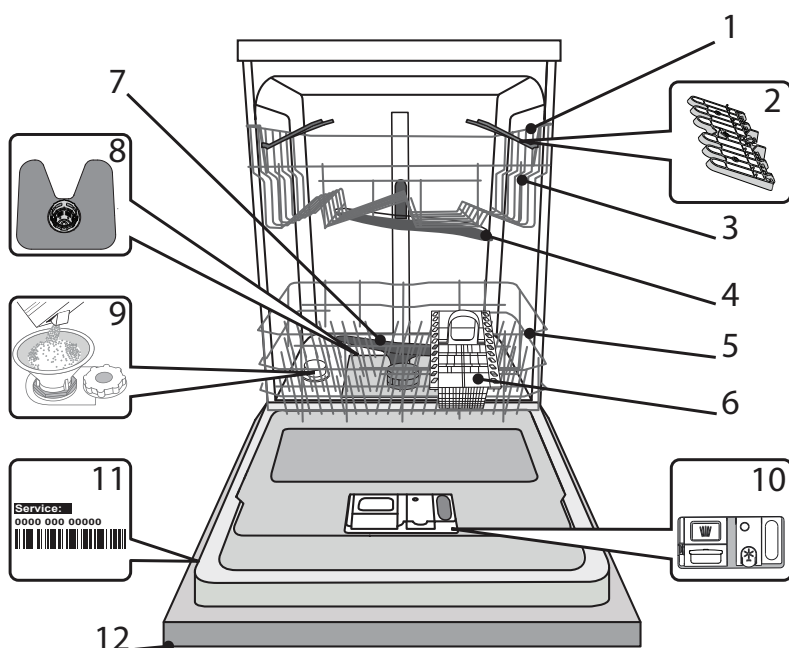


Vous pouvez télécharger les Consignes de sécurité et le Manuel de l'utilisateur, en visitant notre site Internet [docs.whirlpool.eu](http://docs.whirlpool.eu) et en suivant les instructions figurant au verso du présent fascicule.

**Avant d'utiliser l'appareil, lisez attentivement les Consignes de sécurité.**

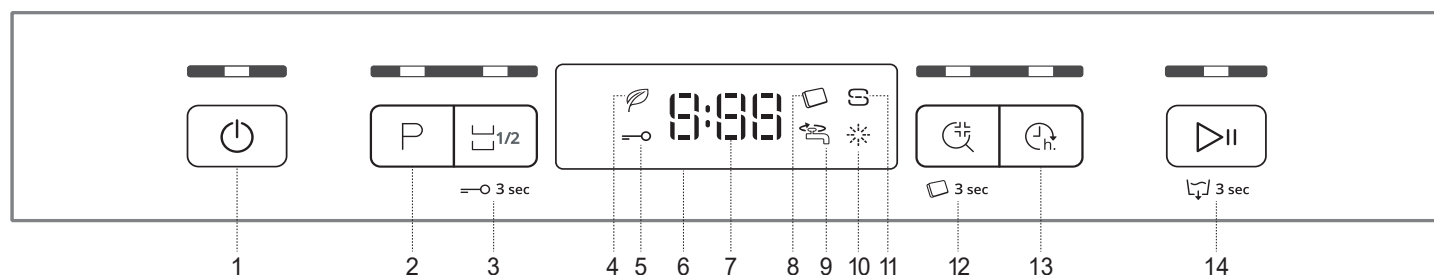
## DESCRIPTION DU PRODUIT

### APPAREIL



1. Panier supérieur
2. Volets pliables
3. Bouton de réglage de la hauteur du panier supérieur
4. Bras d'aspersion supérieur
5. Panier inférieur
6. Panier à couvert
7. Bras d'aspersion inférieur
8. Ensemble filtre
9. Réservoir à sel
10. Distributeurs de détergent et liquide de rinçage
11. Plaque signalétique
12. Panneau de commande

### PANNEAU DE COMMANDE



1. Touche Marche-Arrêt/Réinitialisation avec le voyant
2. Touche Sélecteur de programme avec le voyant
3. Touche Demi-charge avec le voyant / Verrouillage
4. Voyant programme Éco
5. Voyant de Verrouillage
6. Affichage
7. Voyant pour le numéro du programme et le temps restant
8. Voyant Pastille
9. Voyant Robinet d'eau fermé
10. Voyant de niveau de liquide de rinçage
11. Voyant de niveau de sel
12. Touche Sani Rince avec le voyant / Pastille
13. Touche Différé avec le voyant
14. Touche Démarrer/Pause avec le voyant / Drainer

# PREMIÈRE UTILISATION

## SEL, LIQUIDE DE RINÇAGE, ET DÉTERGENT


### CONSEILS AU SUJET DE LA PREMIÈRE UTILISATION

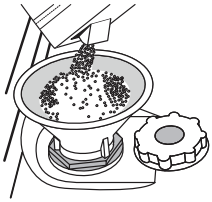
Après l'installation, enlevez les boulons d'arrêt sur les paniers et les éléments élastiques qui retiennent le panier supérieur.

### REMPILIR LE RÉSERVOIR DE SEL

L'utilisation de sel empêche la formation de CALCAIRE sur la vaisselle et sur les composantes fonctionnelles de l'appareil.

- Le **RÉSERVOIR DE SEL NE DOIT JAMAIS ÊTRE VIDE.**
- Il est important de régler la dureté de l'eau.

Le réservoir de sel est situé dans la partie inférieure du lave-vaisselle (voir *DESCRIPTION DES PROGRAMMES*) et il doit être rempli quand le **voyant NIVEAU DE SEL**  est allumé sur le panneau de commande.



1. Enlevez le panier inférieur et dévissez le bouchon du réservoir (sens antihoraire).
2. **La première fois uniquement, vous devez effectuer l'opération suivante : Remplissez d'eau le réservoir à sel.**
3. Placez l'entonnoir (voir figure) et remplissez le réservoir de sel jusqu'au bord (environ 1 kg); il est normal qu'un peu d'eau déborde.
4. Enlevez l'entonnoir et essuyez les résidus de sel autour de l'ouverture.

Assurez-vous que le bouchon est bien serré pour éviter que du détergent pénètre dans le réservoir durant le cycle de lavage (le réservoir pourrait s'endommager au point de ne plus être réparable).

**Après chaque ajout de sel dans le réservoir, il est obligatoire de lancer immédiatement un cycle de lavage afin d'éviter toute corrosion de la cuve.**

### RÉGLER LA DURETÉ DE L'EAU

our que l'installation d'adoucissement d'eau fonctionne parfaitement bien, il faut régler la dureté d'eau conformément à la dureté d'eau dont on dispose à la maison. Vous pouvez obtenir des informations nécessaires auprès de l'utilité publique qui assure la fourniture d'eau.

L'usine règle la valeur par défaut de la dureté de l'eau.

- Allumer l'appareil en appuyant sur la touche **MARCHE/ARRÊT.**
- Éteindre l'appareil en appuyant sur la touche **MARCHE/ARRÊT.**
- Appuyer la touche **DÉMARRER/PAUSE** pendant 5 secondes, jusqu'à l'apparition du signal sonore.
- Allumer l'appareil en appuyant sur la touche **MARCHE/ARRÊT.**
- Le numéro de la sélection actuelle et le voyant de niveau de sel clignotent.
- Appuyer sur la touche **P** pour sélectionner le niveau de dureté désiré (voir *TABLEAU DE DURETÉ DE L'EAU*).

Level	°dH Degrés allemand	°fH Degrés français	°Clark Degrés anglais	
1	Très douce	0 - 6	0 - 10	0 - 7
2	Moyenne	7 - 11	11 - 20	8 - 14
3	Douce	12 - 16	21 - 29	15 - 20
4	Dure	17 - 34	30 - 60	21 - 42
5	Très dure	35 - 50	61 - 90	43 - 62

- Éteindre l'appareil en appuyant sur la touche **MARCHE/ARRÊT.**

Le réglage est terminé !

Une fois cette opération complétée, lancez un programme sans charger le lave-vaisselle.

**Utilisez seulement le sel spécialement conçu pour les lave-vaisselles.**

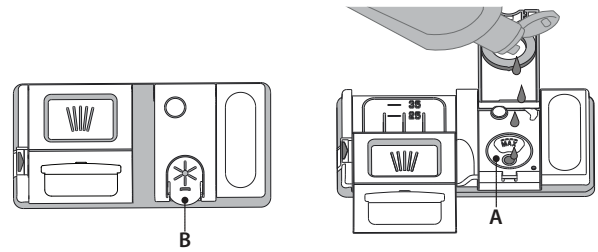
Lorsque le sel est versé dans l'appareil, le voyant AJOUTER DU SEL s'éteint.

**Si le contenant de sel n'est pas rempli, l'adoucisseur et l'élément chauffant peuvent être endommagés à cause de l'accumulation de calcaire.**

L'utilisation de sel est recommandée avec n'importe quel type de lessive pour lave-vaisselle.

### REMPILIR LE DISTRIBUTEUR DE LIQUIDE DE RINÇAGE

Le liquide de rinçage permet à la vaisselle de SÉCHER plus facilement. Le distributeur de liquide de rinçage **A** devrait être rempli lorsque le **voyant de NIVEAU DE LIQUIDE DE RINÇAGE**  est allumé à l'écran.



1. Ouvrez le distributeur **B** en appuyant et en tirant sur l'onglet sur le couvercle.
2. Versez doucement du liquide de rinçage jusqu'à la marque de référence (110 ml) du réservoir de remplissage - évitez les débordements. Si cela se produit, nettoyez les dégâts immédiatement avec un linge sec.
3. Appuyez sur le bouchon pour le fermer; un clic se fait entendre.

**Ne JAMAIS verser le liquide de rinçage directement dans la cuve.**

### AJUSTER LE DOSAGE DU LIQUIDE DE RINÇAGE

Si vous n'êtes pas complètement satisfait avec le séchage, vous pouvez ajuster la quantité de liquide de rinçage utilisée.

- Allumez le lave-vaisselle en utilisant la touche **MARCHE/ARRÊT.**
- Éteignez-le en utilisant la touche **MARCHE/ARRÊT.**
- Appuyez sur la touche **DÉMARRER/PAUSE** à trois reprises - vous entendrez un bip.
- Allumez-le en utilisant la touche **MARCHE/ARRÊT.**
- Le numéro du niveau de sélection actuelle et le voyant du niveau de liquide de rinçage clignotent.
- Appuyez sur la touche **P** pour sélectionner la quantité de liquide de rinçage qui doit être utilisée.
- Éteignez-le en utilisant la touche **MARCHE/ARRÊT.**

Le réglage est terminé!

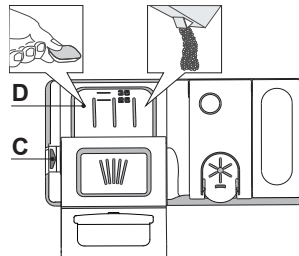
Si le niveau de liquide de rinçage est à 1 (ÉCO), il n'y aura pas de liquide de rinçage distribué. Le voyant LIQUIDE DE RINÇAGE BAS ne s'allumera pas s'il ne reste plus de liquide de rinçage.

Un maximum de 5 niveaux peuvent être réglés selon le modèle du lave-vaisselle. Les réglages d'usine sont spécifiques au modèle, merci de suivre les instructions ci-dessus pour vérifier ceux qui s'appliquent à votre machine.

- Si vous observez des traces bleuâtres sur la vaisselle, placez sur un niveau plus bas (2-3).
- Si vous observez des gouttelettes d'eau ou des traces de calcaire sur la vaisselle, placez sur un niveau plus haut (4-5).

### REMPILIR LE DISTRIBUTEUR DE DÉTERGENT

**Pour ouvrir le distributeur de détergent, utilisez le dispositif d'ouverture C. Insérez le détergent dans le distributeur sec D seulement. Placez la quantité de détergent pour le pré-lavage directement dans la cuve.**



1. Lorsque vous mesurez la lessive, consultez les informations mentionnées précédemment pour ajouter la quantité correcte. À l'intérieur du distributeur **D** se trouvent des indications pour aider au dosage de la lessive.
2. Enlevez les résidus de détergent sur le bord des récipients avant de fermer le couvercle; un clic se fait entendre.
3. Fermez le couvercle du distributeur de détergent en le tirant vers le haut jusqu'à ce que le dispositif soit fermement en place.

Le distributeur de détergent s'ouvre automatiquement, au moment déterminé par le programme. Si vous utilisez un détergent « tout-en-un », nous vous conseillons d'utiliser la touche **PASTILLE**, elle ajuste le programme de façon à toujours obtenir les meilleurs résultats de lavage et séchage.

**L'utilisation d'un détergent non-conçu pour les lave-vaisselles peut provoquer un dysfonctionnement ou des dommages à l'appareil.**

# TABLEAU DES PROGRAMMES

Programme	Séchage	Options disponibles *)	Durée du programme de lavage (h:min)**)	Consommation d'eau (l/cycle)	Consommation d'énergie (kWh/cycle)
1. Éco ECO 50°	✓	1/2	3:20	12,0	1,04
2. Intensif 65°	✓	1/2	2:30	16,0	1,50
3. Mixte 55°	✓	1/2	2:25	16,0	1,35
4. Rapide 30' 50°	-		0:30	9,0	0,60
5. Prélavage -	-	1/2	0:10	4,0	0,01

Les données du programme Éco sont mesurées sous des conditions en laboratoire conformément à la norme européenne EN 60436:2020.

Note pour les laboratoires d'essai : pour toutes informations sur les conditions d'essai comparatif EN, s'adresser à: [dw\\_test\\_support@europeanappliances.com](mailto:dw_test_support@europeanappliances.com)

Aucun prétraitement de la vaisselle n'est nécessaire avant l'un quelconque des programmes.

\*) Les options ne peuvent pas toutes être utilisées en même temps.

\*\*) Les valeurs indiquées pour des programmes différents du programme Éco sont fournis à titre indicatif uniquement. Le temps réel peut varier selon des facteurs comme la température et la pression de l'eau, la température de la pièce, la quantité de détergent, la quantité et le type de vaisselle, l'équilibre de la charge, les options supplémentaires sélectionnées, et la calibration du capteur. La calibration du capteur peut augmenter la durée du programme jusqu'à 20 minutes.

## DESCRIPTION DES PROGRAMMES

### Consignes pour la sélection du cycle de lavage.

#### 1 ÉCO

Le programme Eco est adapté pour nettoyer la vaisselle normalement sale, et pour cette utilisation, c'est le programme le plus efficace en termes d'énergie combinée et de consommation d'eau, et il est utilisé pour évaluer la conformité à la législation européenne en matière d'éco-conception.

#### 2 INTENSIF

Programme conseillé pour une vaisselle très sale, particulièrement adapté pour les poêles et les casseroles (ne pas utiliser avec la vaisselle délicate).

#### 3 MIXTE

Saleté mixte. Pour la vaisselle normalement sale avec des résidus de nourriture secs.

#### 4 RAPIDE 30'

Programme à utiliser pour la demi-charge de vaisselle légèrement sale sans résidus alimentaires séchés. N'a pas de phase de séchage.

#### 5 PRÉLAVAGE

Utilisez ce programme pour rafraîchir la vaisselle qui sera lavée plus tard. N'utilisez pas de détergent avec ce programme.

#### Remarques :

Il convient de noter que le cycle *Rapide 30'* est destiné uniquement à la vaisselle légèrement sale.

# OPTIONS ET FONCTIONS

Les OPTIONS peuvent être sélectionnées directement en appuyant sur la touche correspondante (voir PANNEAU DE COMMANDE).

**Si une option n'est pas compatible avec le programme sélectionné voir TABLEAU DES PROGRAMMES, le voyant correspondant clignote 3 fois et un bip se fait entendre. La fonction n'est pas activée.**

## 1/2 **DEMI-CHARGE**

S'il n'y a pas beaucoup de vaisselle à laver, la demi-charge peut être utilisée pour économiser de l'eau, de l'électricité, et du détergent. Sélectionnez le programme et appuyez sur la touche DEMI-CHARGE : le voyant s'allume. Appuyez sur la touche DEMI-CHARGE pour annuler cette option.

**N'oubliez pas de réduire la quantité de détergent de moitié.**

## **VERROUILLAGE DES COMMANDES**

En appuyant pendant au moins 3 secondes sur la touche DEMI-CHARGE, la fonction VERROUILLAGE s'active. La fonction VERROUILLAGE désactive le panneau de commande à l'exception de la touche MARCHE/ARRÊT. Appuyez à nouveau sur la touche pour désactiver le VERROUILLAGE.

## **ROBINET D'EAU FERMÉ - Alarme**

Clignote lorsqu'il n'y a pas d'arrivée d'eau ou que le robinet d'eau est fermé.

## **SANI RINCE**

Cette option peut être utilisée pour assainir la vaisselle lavée. Cela augmentera la température de rinçage finale et ajoutera un lavage anti-bactérien au programme sélectionné.

Sélectionnez le cycle de lavage et appuyez sur la touche SANI RINCE; le voyant s'allume. Appuyez de nouveau sur la touche pour annuler l'option. Idéal pour laver la vaisselle et les biberons. La porte du lave-vaisselle doit être fermée tout au long du cycle pour garantir que la quantité de germes est bien diminuée. Si vous ouvrez la porte, le voyant se met à clignoter.

**AVERTISSEMENT : la vaisselle et les plats peuvent être très chaud à la fin du cycle.**

## **PASTILLE**

Ce réglage vous permet d'optimiser le rendement du programme selon le type de détergent utilisé.

Appuyez sur la touche SANI RINCE pendant 3 secondes (le symbole correspondant s'illumine) si vous utilisez un détergent sous la forme d'une pastille (liquide de rinçage, sel, et détergent en une seule dose).

**Si vous utilisez un détergent en poudre ou liquide, cette option devrait être éteinte.**

## **DIFFÉRÉ**

Le début du programme peut être retardé pour une période entre **30 minutes et 24 heures**.

1. Sélectionnez un programme et les options souhaités. Appuyez sur la touche DIFFÉRÉ (plusieurs fois) pour retarder le début du programme. Réglable de 0:30 à 24 heures. Chaque fois que vous appuyez sur la touche, le départ différé est retardé de : 0:30 si la sélection est inférieure à 4 heures, 1:00 si la sélection est inférieure à 12 heures, 4 heures si la sélection est supérieure à 12 heures. Si vous appuyez sur la touche après avoir atteint 24 heures, le départ différé est désactivé.

2. Appuyez sur la touche DÉMARRER/PAUSE: la minuterie commence le compte à rebours;

3. Une fois le temps écoulé, le voyant s'éteint et le programme démarre automatiquement.

Si, pendant le compte à rebours, vous appuyez sur la touche DÉMARRER/PAUSE de nouveau, l'option DIFFÉRÉ est annulée et le programme sélectionné démarre automatiquement.

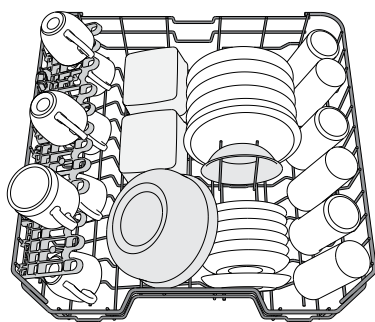
**La fonction DIFFÉRÉ ne peut pas régler une fois le programme en cours.**

## **DRAINER**

Pour arrêter ou annuler le cycle en cours, vous pouvez utiliser la fonction Drainer. Si vous appuyez un long moment sur la touche DÉMARRER/PAUSE, la fonction DRAINER s'active. Le programme en cours s'arrête et l'eau dans le lave-vaisselle est vidangée.

# CHARGEMENT DES PANIERS

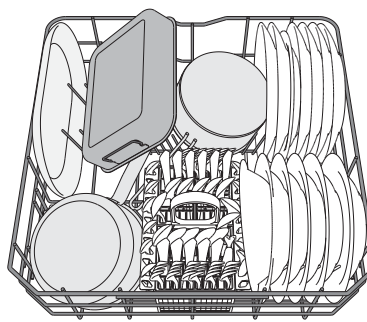
## PANIER SUPÉRIEUR



Chargez la vaisselle délicate et légère: verres, tasses, soucoupes, saladiers bas.

(exemple de chargement du panier supérieur)

## PANIER INFÉRIEUR



Pour les poêles, les couvercles, les plats, les saladiers, les couverts, etc. Les grands plats et les grands couvercles devraient être placés sur le côté pour éviter qu'ils n'entravent le fonctionnement des bras d'aspersion.

(exemple de chargement du panier inférieur)

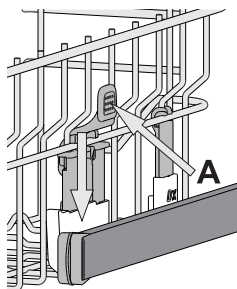
## AJUSTER LA HAUTEUR DU PANIER SUPÉRIEUR

Vous pouvez ajuster la hauteur du panier supérieur : position élevée pour placer la vaisselle encombrante sur le panier inférieur, et la position basse pour profiter au maximum des supports rabattables et créant plus d'espace vers le haut et éviter les chocs avec les articles sur le panier inférieur.

Le panier supérieur comprend un **dispositif de réglage de la hauteur du panier supérieur** (voir figure), sans appuyer sur les leviers, simplement soulever en tenant le panier sur les côtés jusqu'à ce qu'il soit stable en position élevée. Pour abaisser le panier, appuyez sur les leviers **A** sur les côtés du panier et déplacez-le vers le bas.

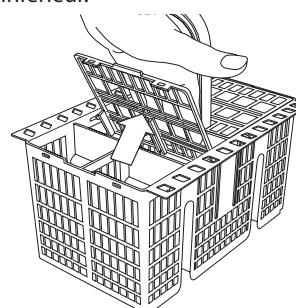
**Nous vous conseillons fortement de ne pas ajuster la hauteur du panier lorsqu'il est chargé.**

**Ne JAMAIS soulever ou abaisser un seul côté du panier.**



## PANIER À COUVERT

Le panier comprend des grilles supérieures pour placer les couverts plus facilement. Le panier à couvert doit uniquement être placé à l'avant du panier inférieur.



**Les couteaux et autres ustensiles avec des bords tranchants doivent être placés dans le panier à couvert avec la pointe vers le bas, ou placés à l'horizontale dans le compartiment rabattable sur le panier supérieur.**

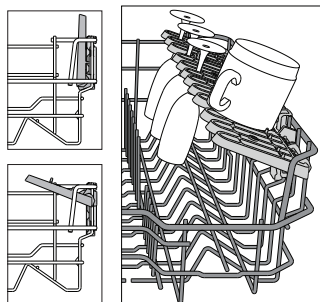
## VOLETS PLIABLES À POSITION RÉGLABLE

Les volets pliables latéraux peuvent être pliés ou dépliés afin d'optimiser la disposition de la vaisselle à l'intérieur du rack.

Les verres de vin peuvent être placés de façon sécuritaire dans les volets pliables en insérant le pied de chaque verre dans la fente correspondante.

Selon le modèle :

- pour déplier les volets, il est nécessaire de les coulisser vers le haut et de les tourner ou de les libérer des griffes et de les tirer vers le bas.
- pour replier les volets, il est nécessaire de les tourner et de les faire coulisser vers le bas ou de les tirer vers le haut et de fixer les pattes aux griffes.



# UTILISATION QUOTIDIENNE

## 1. VÉRIFIER LE BRANCHEMENT DE L'EAU

Assurez-vous que l'appareil est raccordé à un réseau d'alimentation et que le robinet de l'eau est ouvert.

## 2. ALLUMER LE LAVE-VAISSELLE

Appuyez sur la touche **MARCHE/ARRÊT**.

## 3. CHARGER LES PANIERS

(voir **CHARGEMENT DES PANIERS**).

## 4. REMPLIR DE DISTRIBUTEUR DE DÉTERGENT

## 5. CHOISIR LE PROGRAMME ET PERSONNALISER LE CYCLE

Sélectionnez le meilleur programme selon le type de vaisselle et le niveau de saleté (voir **DESCRIPTION DES PROGRAMMES**) en appuyant sur la touche **P**.

Sélectionnez les options désirées (voir **OPTIONS ET FONCTIONS**).

## 6. DÉMARRER

Démarrez le cycle de lavage en appuyant sur la touche **DÉMARRER/PAUSE**. Vous entendez un bip lorsque le programme démarre.

## 7. FIN DU CYCLE DE LAVAGE

La fin du cycle est indiquée par les bips et l'affichage indique **END**. Ouvrez la porte et éteignez l'appareil en appuyant sur la touche **MARCHE/ARRÊT**. Pour éviter de vous brûler, attendez quelques minutes avant de retirer la vaisselle. Déchargez les paniers en commençant par le premier inférieur.

L'appareil s'éteint automatiquement durant des périodes d'inactivité prolongées pour réduire la consommation d'énergie. Si la vaisselle est légèrement sale ou si elle a été rincée avec à l'eau avant d'être placée dans le lave-vaisselle, réduisez la quantité de détergent utilisée en conséquence.

## MODIFIER UN PROGRAMME EN COURS

Si vous avez sélectionné le mauvais programme, vous pouvez le changer si c'est fait au début du cycle : appuyez sur la touche **MARCHE/ARRÊT** pour éteindre l'appareil. Rallumez l'appareil en appuyant sur la touche **MARCHE/ARRÊT** et sélectionnez le nouveau cycle de lavage et les options désirées; démarrez le cycle en appuyant sur la touche **DÉMARRER/PAUSE**.

## AJOUTER DE LA VAISSELLE

Sans éteindre l'appareil, ouvrez la porte (**attention à la vapeur CHAUDE!**) et placez la vaisselle à l'intérieur du lave-vaisselle. Fermez la porte et appuyez sur la touche **DÉMARRER/PAUSE**, le cycle démarre au point où il a été interrompu.

## INTERRUPTIONS IMPRÉVUES

Si la porte est ouverte durant le cycle de lavage, ou s'il y a une panne de courant, le cycle s'interrompt. Une fois la porte refermée ou le courant électrique restauré, pour redémarrer le cycle à partir du point où il a été interrompu, appuyez sur la touche **DÉMARRER/PAUSE**.

Pour désactiver le **MODE DEMO**, les actions suivantes doivent être réalisées dans l'ordre, sans interruptions. Allumez la machine puis rééteignez-la. Appuyez sur le bouton **DIFFÉRE** jusqu'à ce que le signal sonore retentisse. Rallumez la machine. Le témoin "**DOF**" clignote puis s'éteint.

# AVIS ET CONSEILS

## CONSEILS

Avant de charger les paniers, enlevez tous les résidus de nourriture sur la vaisselle et videz les verres. **Vous n'avez pas besoin de rincer la vaisselle avant de la placer dans le lave-vaisselle.**

Placez la vaisselle pour qu'elle tienne bien en place et ne risque pas de tomber; et placez les récipients avec les ouvertures vers le bas et les parties concaves/convexes de côté pour permettre à l'eau d'atteindre toutes les surfaces et couler librement.

**Avertissement :** les couvercles, poignées, plaques et poêles à frire n'empêchent pas les bras d'aspersion de tourner. Placez les petits articles dans le panier à couvert. La vaisselle et les casseroles très sales devraient être placées sur le panier inférieur car les jets d'eau sont plus forts dans cette section et permet un meilleur rendement lors du lavage. Après avoir chargé l'appareil, assurez-vous que les bras d'aspersion peuvent bouger librement.

## VAISSELLE QUI NE CONVIENT PAS

- Vaisselle et couverts en bois.
  - Verres décoratifs délicats, produits artisanaux, et vaisselle antique. Les garnitures ne sont pas résistantes.
  - Les pièces en matériel synthétique qui ne supportent pas les hautes températures.
  - La vaisselle en cuivre ou en étain.
  - La vaisselle tachée de cendre, de cire, de graisse lubrifiante, ou d'encre.
- Les couleurs des garnitures de verre et des pièces d'aluminium/argent peuvent changer et ternir durant le cycle de lavage. Certains types de verre (p. ex. les objets en cristal) peuvent aussi devenir opaque après plusieurs cycles de lavage.

## VERRES ET VAISSELLE ENDOMMAGÉS

- Seulement utiliser des verres ou de la porcelaine qui sont lavables au lave-vaisselle conformément aux recommandations du fabricant.
- Utilisez un détergent doux, adéquat pour la vaisselle.
- Retirez les verres et les couverts du lave-vaisselle aussitôt que le cycle de lavage est terminé

## ASTUCES SUR L'ÉCONOMIE D'ÉNERGIE

- Lorsque le lave-vaisselle domestique est utilisé conformément aux instructions du fabricant, **le lavage de la vaisselle dans un lave-vaisselle consomme habituellement MOINS D'ÉNERGIE et d'eau que le lavage à la main.**
- Afin d'optimiser l'efficacité du lave-vaisselle, il est recommandé de **débuter le cycle de lavage une fois que le lave-vaisselle est totalement chargé.** Le chargement du lave-vaisselle domestique jusqu'à la capacité indiquée par le fabricant contribuera à économiser de l'énergie et de l'eau. Vous trouverez des informations sur le chargement correct de la vaisselle dans le chapitre **CHARGEMENT DES PANIERS**. En cas de chargement partiel, il est recommandé d'utiliser des options de lavage spécifiques si elles sont disponibles (Demi-charge / Zone Wash/ Multi Zone), en remplissant uniquement les paniers sélectionnés. Un chargement incorrect ou une surcharge du lave-vaisselle peut augmenter l'utilisation des ressources (telles que l'eau, l'énergie et le temps, et augmenter le niveau de bruit), en réduisant les performances de nettoyage et de séchage.
- Un pré-rinçage manuel des éléments de vaisselle provoque une augmentation de la consommation d'eau et d'énergie et n'est pas recommandé.

## HYGIÈNE

Pour éviter les odeurs et les dépôts qui pourraient s'accumuler dans le lave-vaisselle, lancer un programme à haute température au moins une fois par mois. Utilisez une cuillère à café de détergent et lancer le programme sans vaisselle pour nettoyer l'appareil.

# NETTOYAGE ET ENTRETIEN

## NETTOYER L'ENSEMBLE FILTRE

Nettoyez régulièrement l'ensemble filtre pour éviter qu'il ne se bouche et pour permettre aux eaux usées de bien s'éliminer.

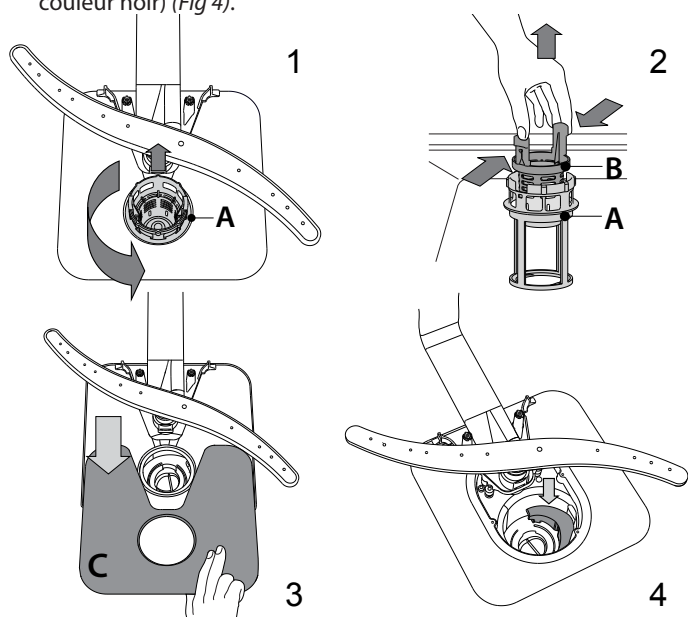
L'utilisation du lave-vaisselle avec des filtres obstrués ou des objets étrangers à l'intérieur du système de filtration ou des bras de pulvérisation peut provoquer un dysfonctionnement de l'unité provoquant une perte de performances, un fonctionnement bruyant ou une utilisation supérieure des ressources.

L'ensemble filtre comprend trois filtres qui séparent les résidus de nourriture de l'eau de lavage pour ensuite faire circuler l'eau.

**N'utilisez pas le lave-vaisselle sans les filtres ou si un filtre est mal ajusté.**

Au moins une fois par mois ou tous les 30 cycles, vérifiez l'assemblage du filtre et si nécessaire, nettoyez-le minutieusement sous l'eau courante, en utilisant une brosse non-métallique et en suivant les instructions ci-dessous :

1. Tournez le filtre cylindrique **A** dans le sens antihoraire et retirez-le (Fig. 1).
2. Enlevez le panier du filtre **B** en appliquant une légère pression sur les volets latéraux (Fig. 2).
3. Retirez la plaque du filtre en acier inoxydable **C** (Fig. 3).
4. Si vous trouvez des objets étrangers (comme du verre brisé, de la porcelaine, des os, des pépins de fruits, etc), enlevez-les minutieusement.
5. Inspecter la cavité et enlever les résidus de nourriture. **NE JAMAIS ENLEVER** la protection de la pompe du cycle de lavage (détails en couleur noir) (Fig 4).



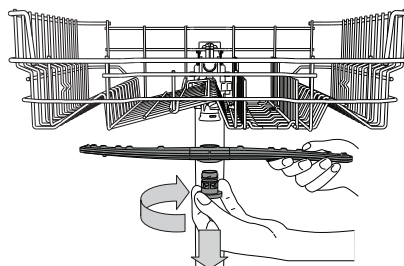
Après avoir nettoyé les filtres, assemblez de nouveau l'ensemble filtre et remettez-le en place correctement; c'est très important pour que le lave-vaisselle garde son efficacité.

## NETTOYER LE TUYAU D'ARRIVÉE D'EAU

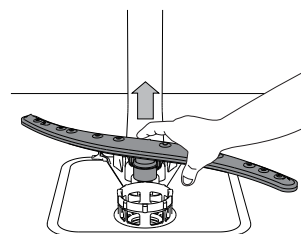
Si les tuyaux d'eau sont neufs ou s'ils n'ont pas été utilisés depuis longtemps, laissez l'eau couler pour vous assurer qu'il n'y a pas d'impureté ou de saleté avant de les brancher. Si vous n'effectuez pas cette opération, l'arrivée d'eau pourrait se boucher et endommager le lave-vaisselle.

## NETTOYER LES BRAS D'ASPERSION

À l'occasion, des résidus de nourriture s'incrument dans les bras d'aspersion et bloquent les trous utilisés pour asperger de l'eau. Il est donc conseillé de vérifier les bras de temps en temps et de les nettoyer avec une petite brosse non métallique.



Pour enlever le gicleur supérieur, tournez l'anneau de verrouillage en plastique dans le sens horaire. Le bras d'aspersion supérieur doit être replacé de façon que le côté avec le plus grand nombre de trous est placé vers le haut.



Le bras d'aspersion inférieur peut être enlevé en le tirant vers le haut.

## SYSTÈME ADOUCISSEUR D'EAU

L'adoucisseur d'eau réduit automatiquement la dureté de l'eau, en empêchant ainsi la formation de calcaire sur la résistance, et en contribuant également à une meilleure performance de nettoyage.

**Ce système se régénère avec du sel, il est donc nécessaire de remplir le bac de sel lorsqu'il est vide.**




La fréquence de régénération dépend du réglage du niveau de dureté de l'eau - la régénération a lieu une fois tous les 5 Cycles ECO avec un niveau de dureté de l'eau réglé à 3.

Le processus de régénération débute lors du rinçage final et se termine en phase de séchage avant la fin du cycle.

- Une régénération simple consomme : ~3,5 L d'eau ;
- Prend jusqu'à 5 minutes supplémentaires pour le cycle ;
- Consomme moins de 0,005 kWh d'énergie.

# DÉPANNAGE

Si votre lave-vaisselle ne fonctionne pas correctement, vérifiez si le problème peut être résolu en suivant la liste ci-après. Pour d'autres erreurs ou problèmes, contactez le Service après-vente agréé dont les coordonnées peuvent être trouvées dans le livret de garantie. Les pièces de rechange seront disponibles pour une période allant jusqu'à 7 ou jusqu'à 10 ans, selon les exigences spécifiques du règlement.

PROBLÈMES	CAUSES POSSIBLES	SOLUTIONS
 L'indicateur de sel est allumé	Le réservoir de sel est vide. (Après le remplissage, il est possible que le voyant du niveau de sel régénérant ne s'éteigne qu'au bout de plusieurs cycles de lavage).	Remplissez le réservoir de sel régénérant (pour plus d'informations, reportez-vous à la page 2). Régulez la dureté de l'eau - reportez-vous au tableau de la page 2.
 Le voyant de liquide de rinçage est allumé	Le distributeur de liquide de rinçage est vide. (Après le remplissage, il est possible que le voyant du niveau de liquide de rinçage ne s'éteigne qu'au bout de plusieurs cycles de lavage).	Remplissez le distributeur de liquide de rinçage (pour plus d'informations, reportez-vous à la page 2).
Le lave-vaisselle ou les commandes ne fonctionnent pas.	L'appareil n'est pas bien branché.	Insérez la fiche dans la prise de courant.
	Panne de courant.	Pour des raisons de sécurité, le lave-vaisselle ne redémarrera pas automatiquement lors du retour de l'alimentation électrique. Appuyez sur le bouton DÉMARRER/Pause pour reprendre le cycle.
	La porte du lave-vaisselle n'est pas fermée.	Poussez vigoureusement la porte pour entendre le « clic ».
	Le cycle est interrompu par une ouverture de la porte supérieure à 4 secondes.	Fermez la porte et appuyez sur DÉMARRER/Pause.
Le lave-vaisselle ne se vidange pas. L'afficheur indique: <b>F3</b> et les voyants Marche/Arrêt et Démarrer/Pause clignotent rapidement.	Le cycle de lavage n'est pas encore terminé.	Attendre que le cycle se termine.
	Le tuyau de vidange est plié.	Assurez-vous que le tuyau de vidange n'est pas plié (voir <i>CONSIGNES D'INSTALLATION</i> ).
	Le conduit de vidange de l'évier est bouché.	Nettoyez le conduit de vidange de l'évier.
	Le filtre est bouché par des résidus de nourriture	Nettoyez le filtre (voir <i>NETTOYAGE DE L'ENSEMBLE FILTRE</i> ).
Le lave-vaisselle fait beaucoup de bruit.	La vaisselle s'entrechoque.	Remplacez la vaisselle (voir <i>CHARGEMENT DES PANIERS</i> ).
	Il y a une trop grande quantité de mousse.	Le détergent a été mal mesuré ou il n'est pas adéquat pour les lave-vaisselles (voir <i>REEMPLIR LE DISTRIBUTEUR DE DÉTERGENT</i> ). Relancez le lave-vaisselle en appuyant sur la touche DRAINER (voir <i>OPTIONS ET FONCTIONS</i> ) et lancez un nouveau programme sans détergent.
La vaisselle n'est pas propre.	La vaisselle n'est pas bien placée.	Remplacez la vaisselle (voir <i>CHARGEMENT DES PANIERS</i> ).
	Les bras d'aspersion ne bougent pas librement, ils sont gênés par la vaisselle.	Remplacez la vaisselle (voir <i>CHARGEMENT DES PANIERS</i> ).
	Le cycle de lavage est trop délicat.	Sélectionnez le cycle de lavage approprié (voir <i>TABLEAU DES PROGRAMMES</i> ).
	Il y a une trop grande quantité de mousse.	Le détergent a été mal mesuré ou il n'est pas adéquat pour les lave-vaisselles (voir <i>REEMPLIR LE DISTRIBUTEUR DE DÉTERGENT</i> ).
	Le bouchon du compartiment de liquide de rinçage n'est pas bien fermé.	Assurez-vous que le bouchon du distributeur de liquide de rinçage est fermé.
	Le filtre est sale ou bouché.	Nettoyez l'ensemble de filtre (voir <i>NETTOYAGE ET ENTRETIEN</i> ).
L'eau n'arrive pas au lave-vaisselle. L'afficheur indique:  et <b>F6</b> et les voyants Marche/arrêt et Démarrer/Pause clignotent rapidement.	L'alimentation d'eau est vide ou le robinet est fermé.	Assurez-vous qu'il y a de l'eau dans le circuit d'alimentation ou que le robinet est ouvert.
	Le tuyau d'arrivée est plié.	Assurez-vous que le tuyau d'entrée n'est pas plié (voir <i>INSTALLATION</i> ) reprogrammez le lave-vaisselle et relancez-le.
	Le tamis dans le tuyau d'arrivée d'eau est obstrué; il est nécessaire de le nettoyer.	Après avoir complété la vérification et le nettoyage, éteignez et rallumez le lave-vaisselle et redémarrez le programme.
Le lave-vaisselle termine le cycle prématurément. L'afficheur indique: <b>F5</b> et les voyants Marche/arrêt et Démarrer/Pause clignotent rapidement.	Le tuyau de vidange est positionné trop bas ou se vide dans le système d'évacuation domestique.	Vérifiez si l'extrémité du tuyau de vidange est placée à la hauteur correcte (voir <i>INSTALLATION</i> ). Vérifiez la vidange dans le système d'évacuation domestique, installez une vanne d'admission d'air si nécessaire.
	De l'air est présent dans l'alimentation en eau.	Vérifiez si l'alimentation en eau présente des fuites ou d'autres problèmes laissant entrer de l'air.



**Vous trouverez les documents normatifs, la documentation standard, le classement des pièces de rechange et des informations supplémentaires sur les produits :**

- En visitant notre site web [docs.whirlpool.eu](https://docs.whirlpool.eu) et [parts-selfservice.europeanappliances.com](https://parts-selfservice.europeanappliances.com)
- En utilisant le code QR.
- Vous pouvez également contacter notre Service après-vente (voir numéro de téléphone dans le livret de garantie). Lorsque vous contactez notre Service après-vente, veuillez indiquer les codes figurant sur la plaque signalétique de l'appareil.

Les informations relatives au modèle peuvent être trouvées en utilisant le QR-Code figurant sur l'étiquette énergétique. L'étiquette comprend également l'identifiant du modèle qui peut être utilisé pour consulter le portail du registre sur le site <https://eprel.ec.europa.eu>.

